

Coves



whitegoods



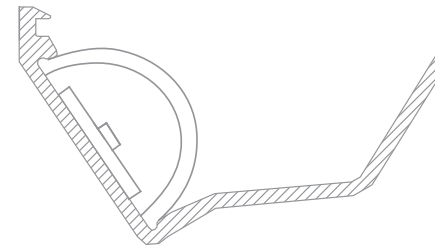
The original edgeless cove

Standardized
high performance
optics across all
cove systems

Whitegoods pioneered the use of knife edge cove profiles with fully integrated lighting solutions for continuous runs of light without gaps or shadows. The Whitegoods Edgeless Cove is the original, and still the best of its kind, despite many imitators.

Whitegoods offers the widest range of cove products to suit any application. Coves can be tailored to the specific lengths and are supplied with factory made standard corners, or custom corners.

All Whitegoods products are designed with simple installation and maintenance in mind. Specification is simple too, and we have a fast and accurate system for supplying submittal drawings and documentation.

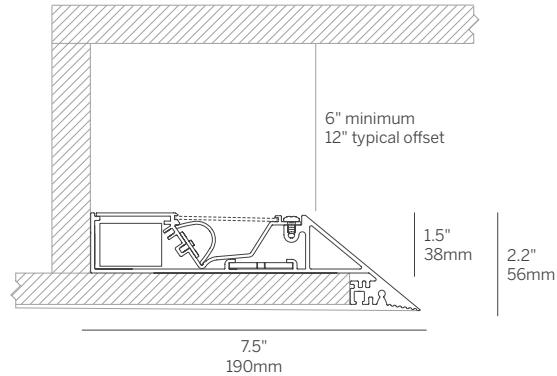


Edgeless Cove

The original continuous knife edge cove system featuring plaster-in precision for clean, minimal effect with integral drivers.



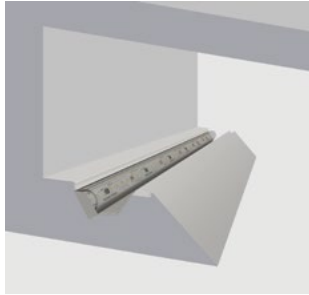
Gypsum Ceiling Mounting



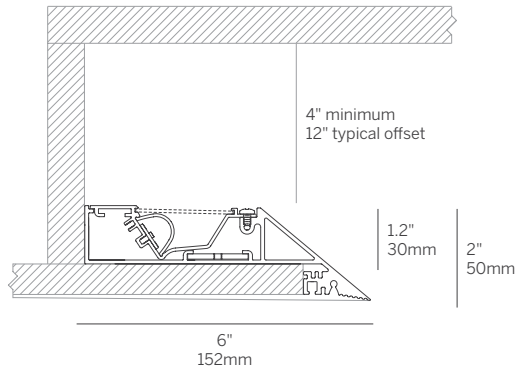
technical
information

Mini Edgeless Cove

The original continuous linear knife edge cove system featuring plaster-in precision knife edge for clean, minimal effect from a small luminaire with remote drivers.



Gypsum Ceiling Mounting



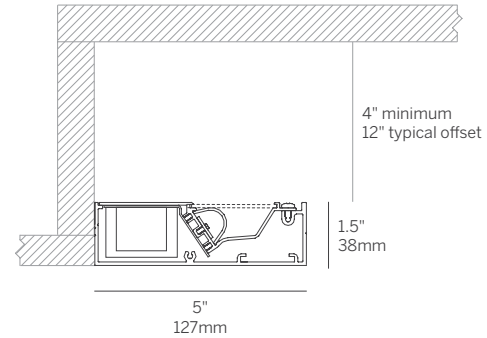
technical
information

Box Cove

Classic square-fronted continuous linear cove system for clean, minimal effect with optimized distribution for maximum throw of light with integral drivers.



Surface Wall



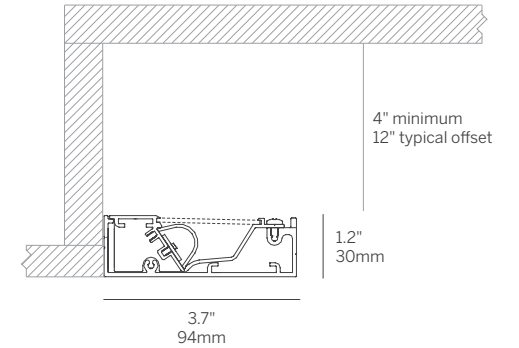
technical
information

Mini Box Cove

Classic square-fronted continuous linear cove system for clean, minimal effect with optimized distribution for maximum throw of light from a small luminaire with remote drivers.



Surface Wall



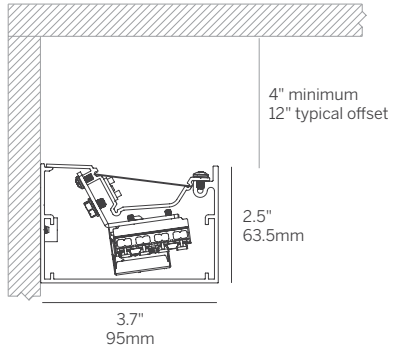
technical
information

Box Cove 2

Classic square-fronted continuous linear interior wall and mullion mount for clean, minimal effect with optimized distribution for maximum throw of light with integral drivers.



Surface Wall



Shown with Satin Clear Dust Cover (SDC)

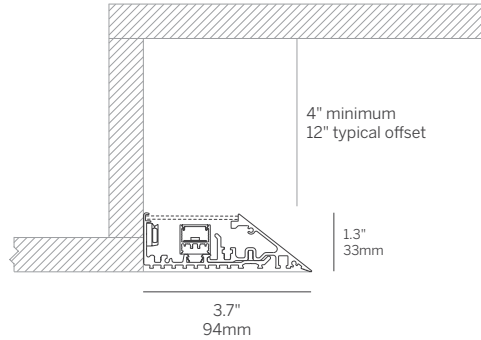
technical
information

20 Linear Mini Edgeless Cove

Compact but highly effective indirect cove system featuring a plaster trim precision knife edge for clean, minimal effect, fully concealing the light source from a small luminaire with remote drivers.



Gypsum Ceiling Mounting



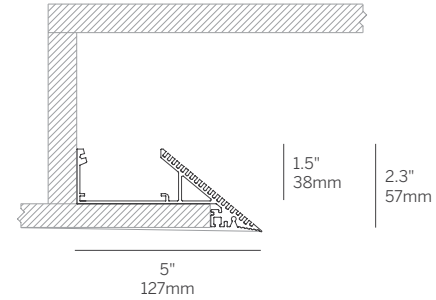
technical
information

Edgeless P Nose Cove

Cove system featuring plaster-in precision knife edge for clean, minimal effect. Non-illuminated.



Gypsum Ceiling Mounting



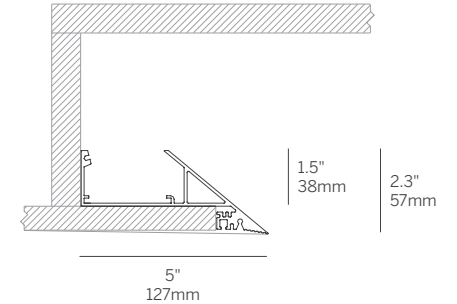
technical
information

Edgeless Nose Cove

Cove system featuring plaster-in precision knife edge for clean, minimal effect. Non-illuminated.



Gypsum Ceiling Mounting



technical
information

The application of light to the surfaces around us is a critical factor in our perception of any space.

When proper consideration is given to the architecture, function and the desired atmosphere, lighting can become a truly integrated part of the overall environment being created, often unseen although defining and enhancing the space.