



TOPO  
CLAMP  
FAMILY

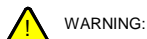
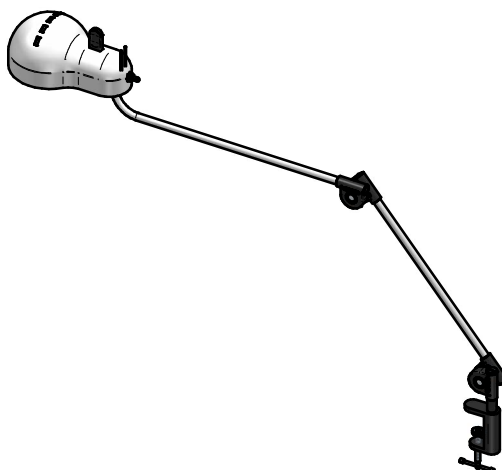
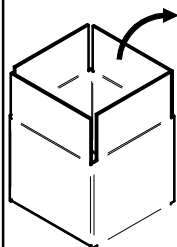
□ E9071

■ E9073

■ E9075

■ E9072

■ E9074



**WARNING:**

INSTALL PRODUCT IN ACCORDANCE WITH LOCAL AND NATIONAL ELECTRICAL CODES BY A QUALIFIED ELECTRICIAN



**WARNING:**

FAILURE TO COMPLY WITH THE INSTALLATION INSTRUCTIONS MAY RESULT IN DEATH OR SEVERE INJURY.



**WARNING:**

READ ALL SAFETY INSTRUCTIONS INCLUDED WITH LUMINAIRE BEFORE INSTALLING LUMINAIRE. SAVE INSTRUCTIONS FOR FUTURE USE.

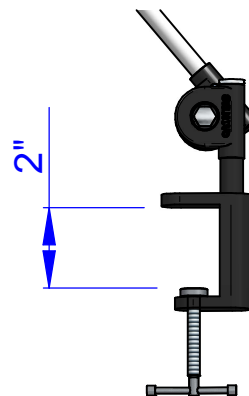
**CAUTION:**

THIS IS AN ELECTRONIC DEVICE. CARE MUST BE TAKEN DURING STORAGE AND HANDLING. STORE IN A CLEAN, COOL AND DRY LOCATION. ELECTROSTATIC DISCHARGE (ESD) CAN HARM THIS PRODUCT. AVOID STATIC DISCHARGE WHILE HANDLING THIS PRODUCT.

**CAUTION:**

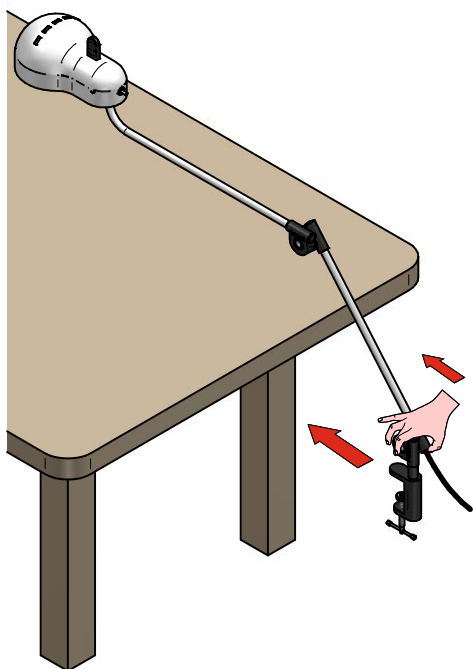
INTER-LUX IS NOT RESPONSIBLE FOR THE STRUCTURAL INTEGRITY OF THE BUILDING TO SUPPORT THE LUMINAIRE. ADDITIONAL BACKING MAY BE REQUIRED.

1

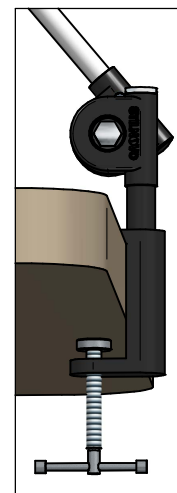
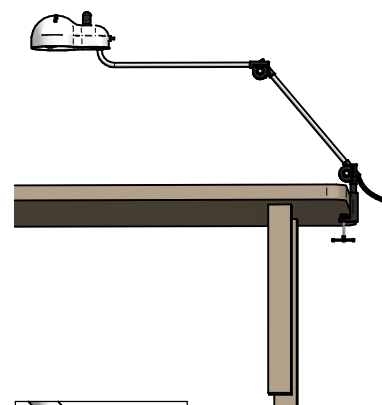
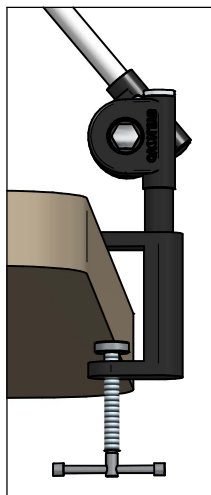
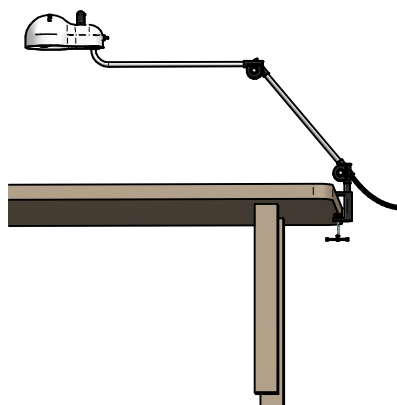


LOCATE AND REVIEW ANY CONSTRUCTION PLANS AND INTER-LUX RECORD DRAWINGS FOR ALL FIXTURE RUNS. IT IS RECOMMENDED TO LOCARE AND LAY OUT ALL COMPONENTS FOR EACH FIXTURE "RUN". A FIXTURE RUN TYPICALLY CONSISTS OF JOINERS, LENGTHS OF HOUSING, AND ENDCAPS. BE SURE TO IDENTIFY ALL CORRECT LENGTHS FOR EACH FIXTURE RUN.

2



3





TOPO  
 CLAMP  
 FAMILY

□ E9071

■ E9073

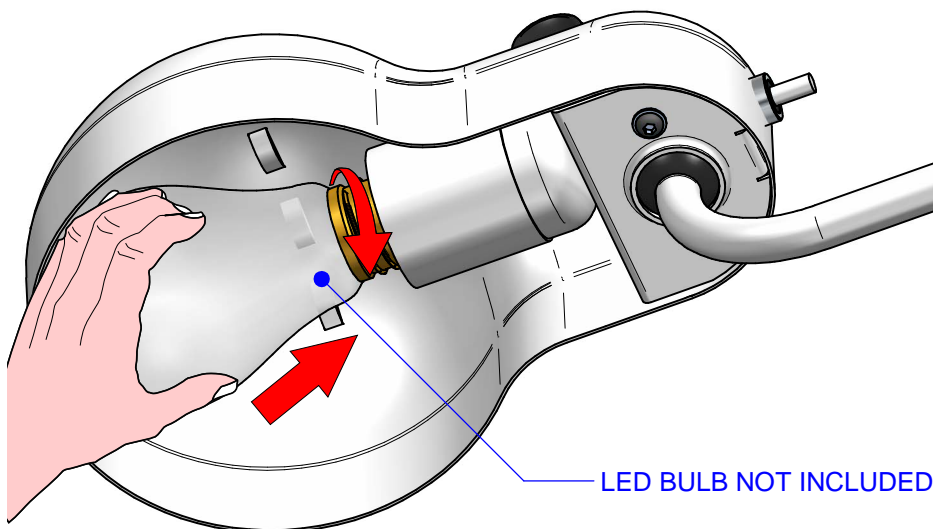
■ E9075

■ E9072

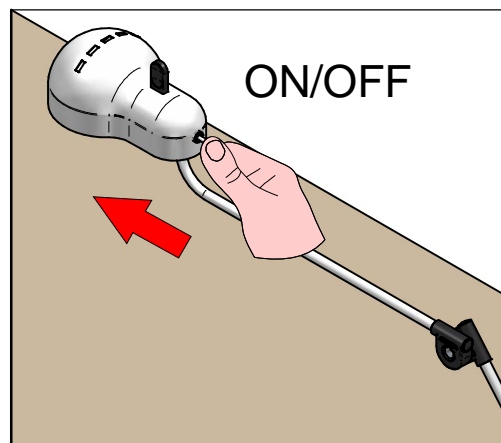
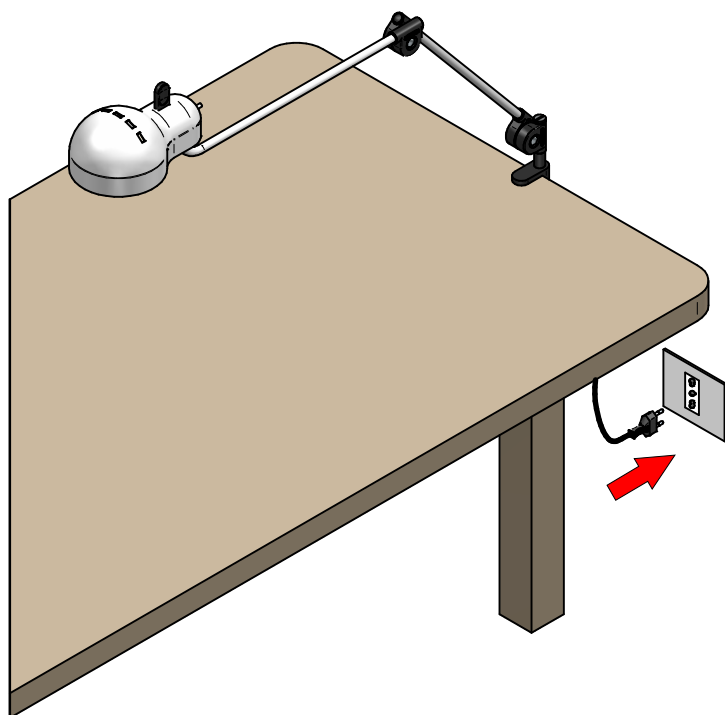
■ E9074



4



5



THIS PRODUCT MUST BE INSTALLED IN ACCORDANCE WITH THE APPLICABLE INSTALLATION CODE BY A PERSON FAMILIAR WITH THE CONSTRUCTION AND OPERATION OF THE PRODUCT AND THE HAZARDS INVOLVED

**MOUNTING INSTRUCTIONS**

READ ALL OF THESE INSTRUCTIONS BEFORE INSTALLING FIXTURES

- Keep all of the instructions for future reference
- Turn off power before installing fixture
- Installation is to be performed by a qualified electrician only
- All installations must conform to the National Electrical Code as well as all local jurisdictional codes and regulations
- Any modification of the luminaire will void any and all written or implied warranties
- The manufacture accepts no responsibility for damage to persons or property arising through improper use or installation



TOPO  
 CLAMP  
 FAMILY

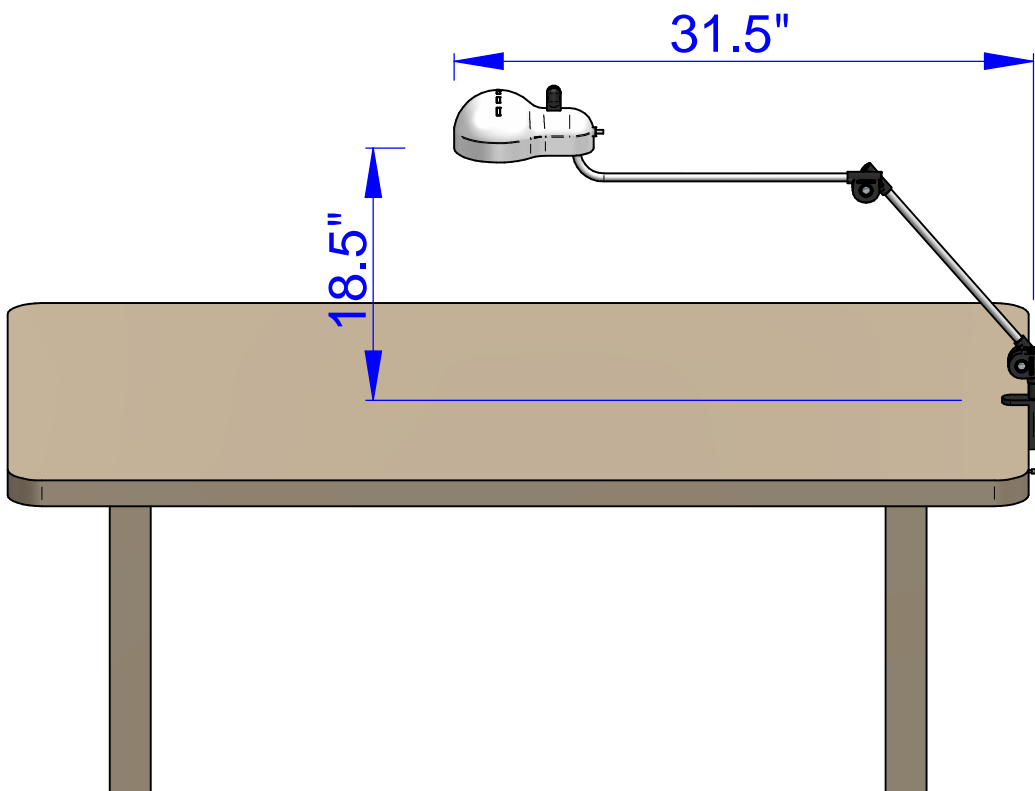
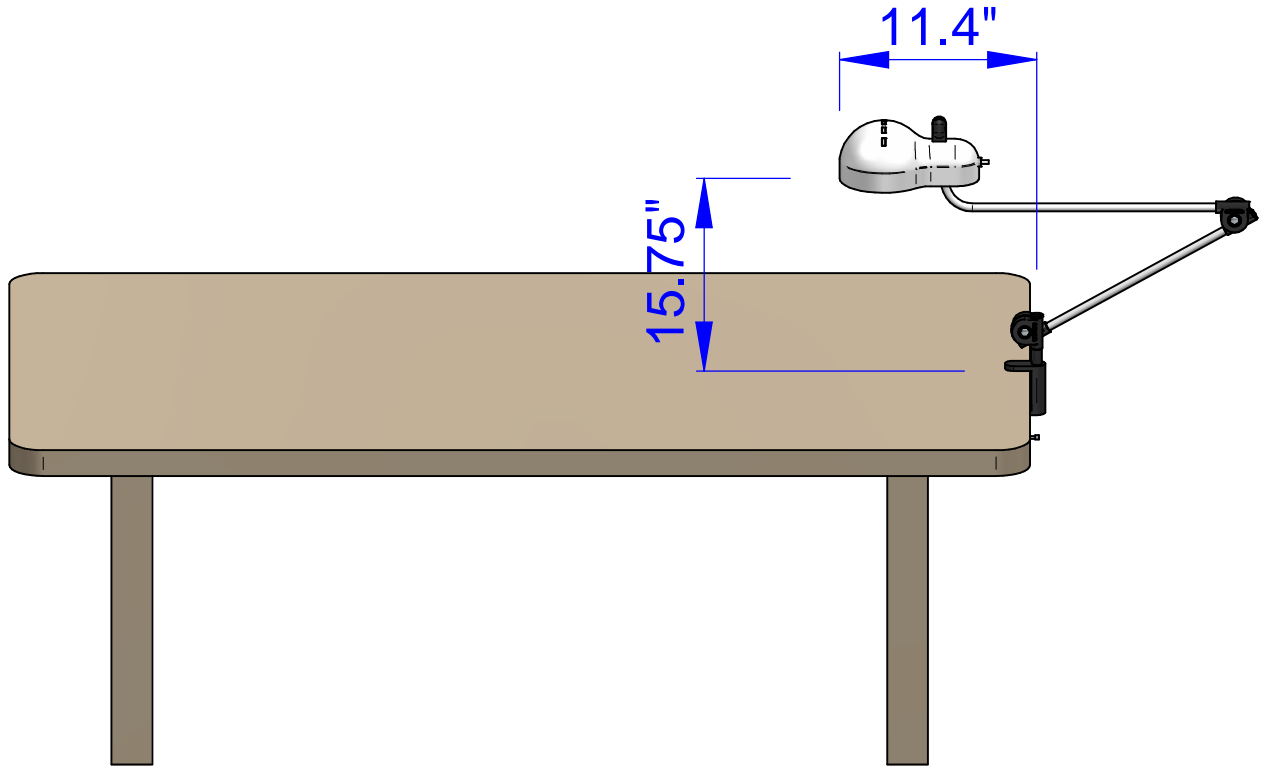
□ E9071

■ E9073

■ E9075

■ E9072

■ E9074





TOPO  
 CLAMP  
 FAMILY

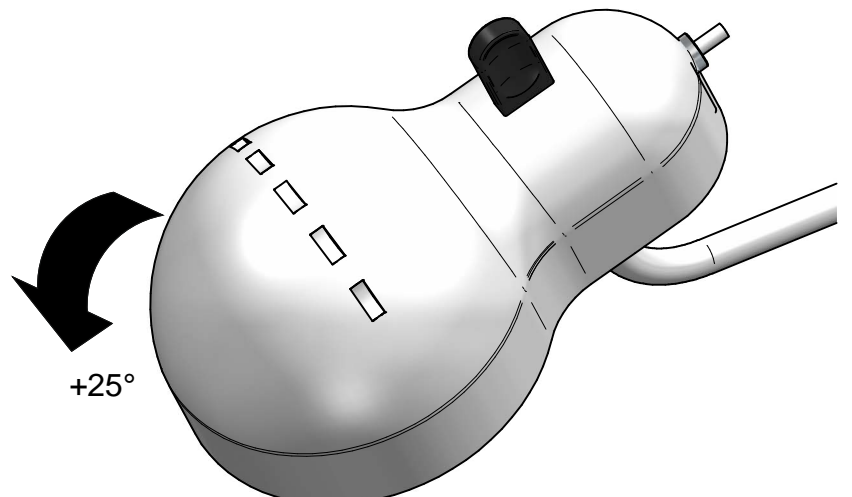
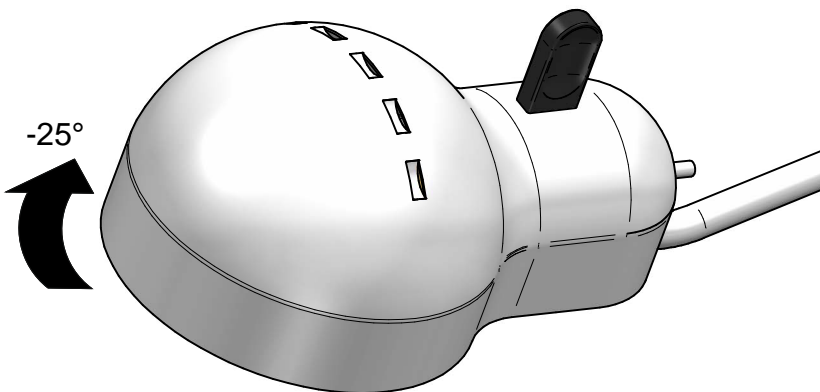
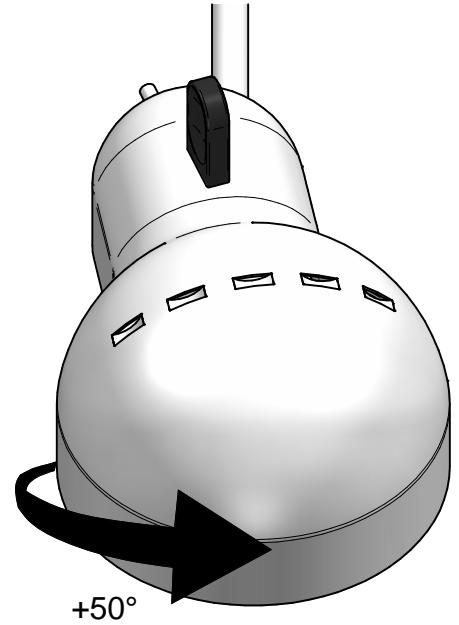
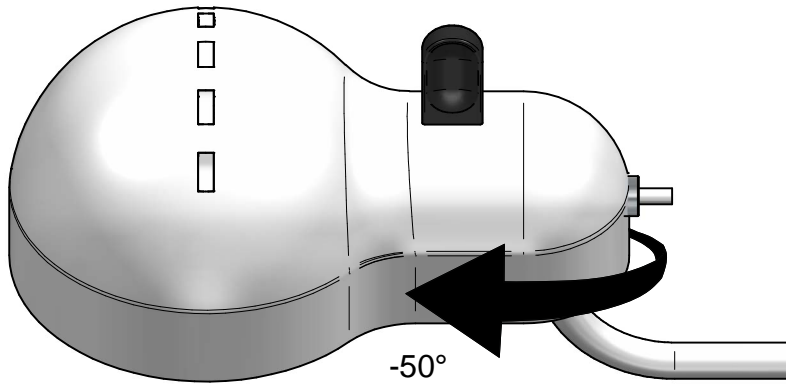
□ E9071

■ E9073

■ E9075

■ E9072

■ E9074





TOPO  
 CLAMP  
 FAMILY

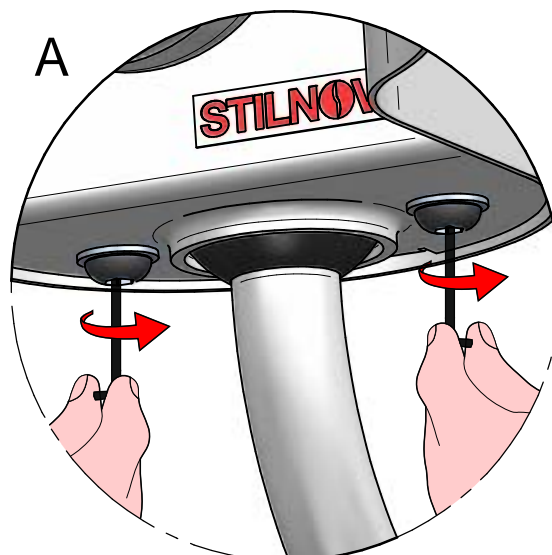
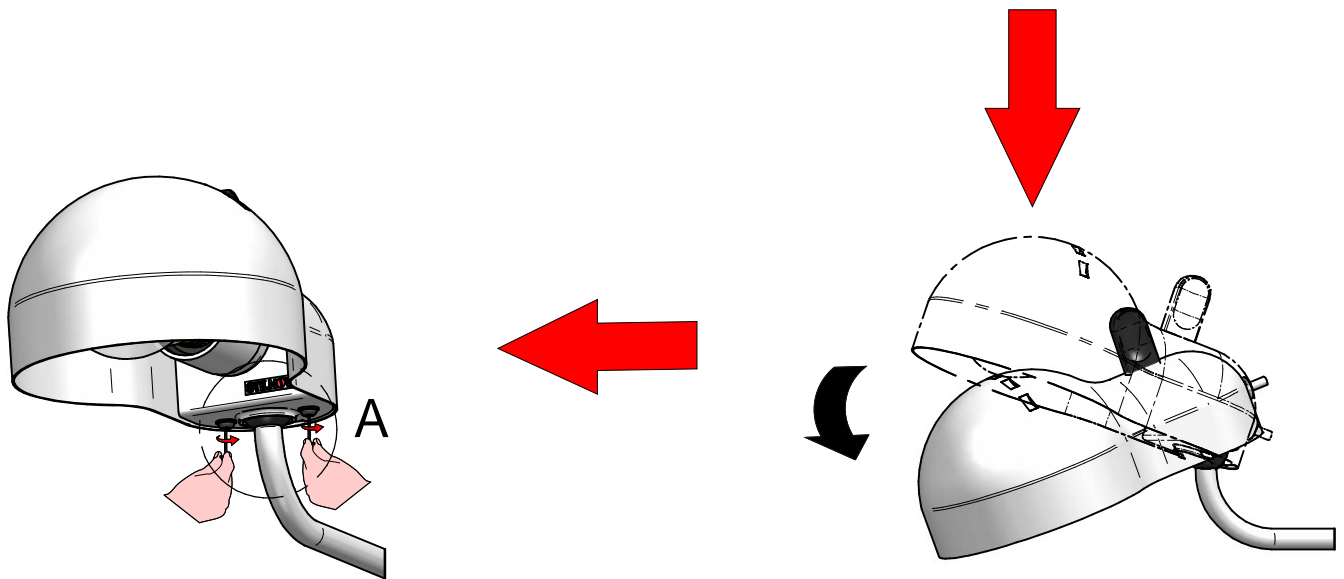
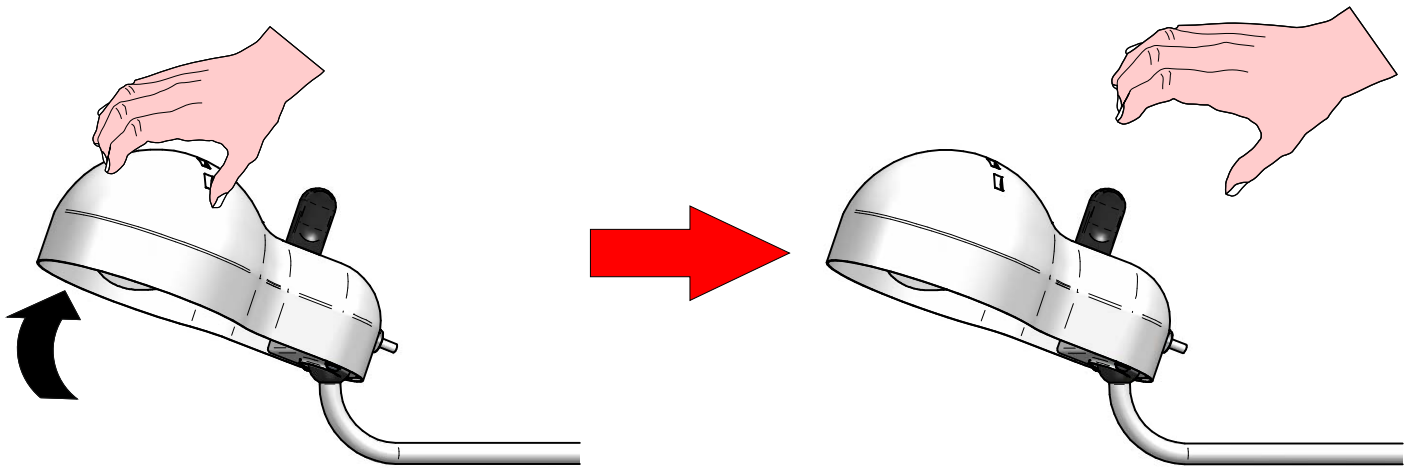
□ E9071

■ E9073

■ E9075

■ E9072

■ E9074





TOPO  
 CLAMP  
 FAMILY

□ E9071

■ E9073

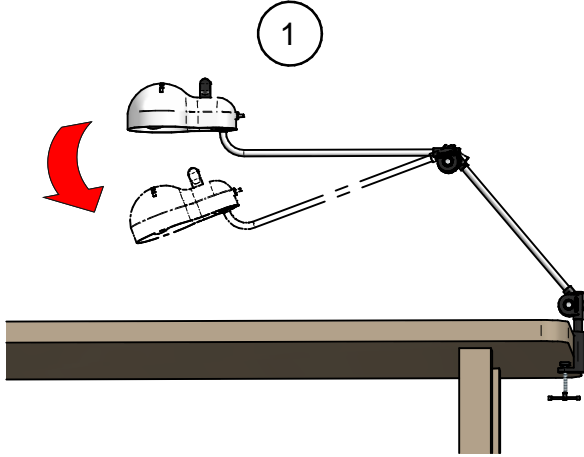
■ E9075

■ E9072

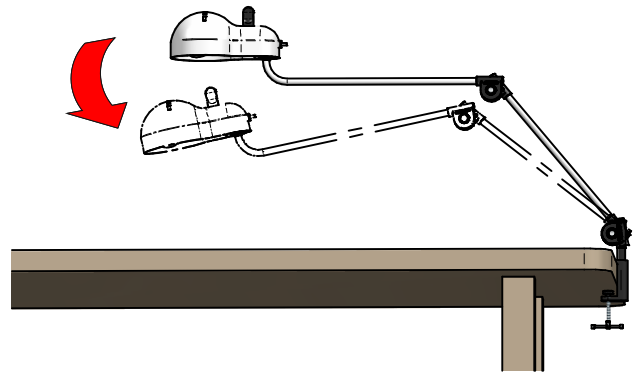
■ E9074



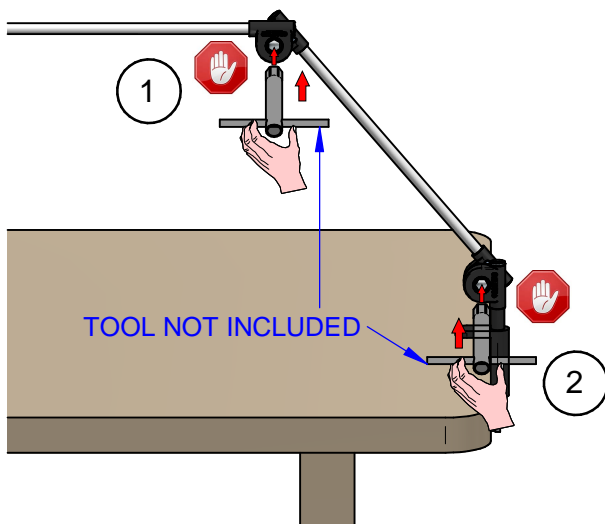
6



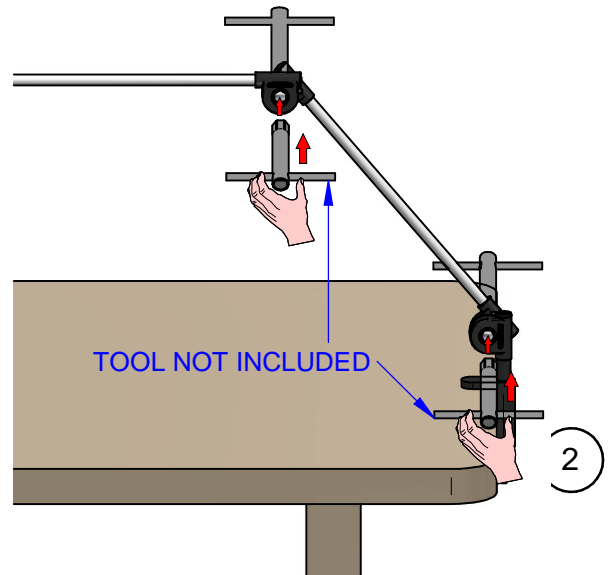
2



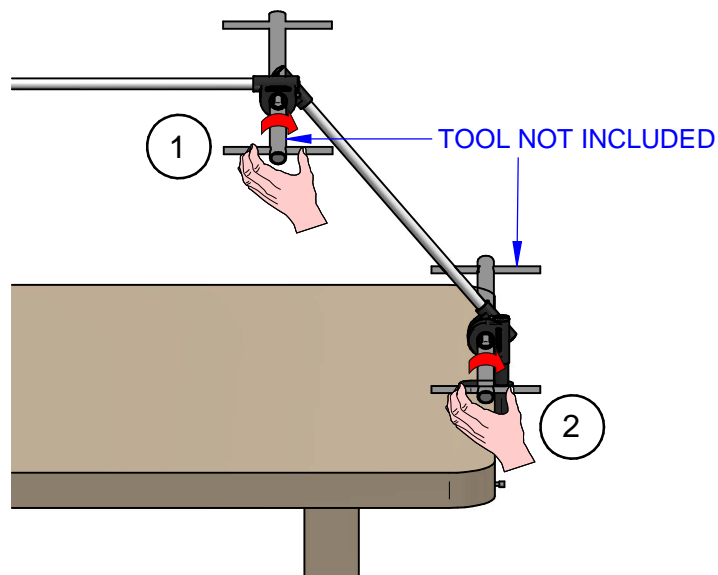
7



8



9





TOPO  
CLAMP  
FAMILY

E9071

E9073

E9075

E9072

E9074

