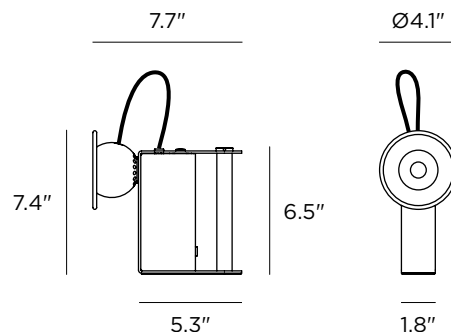


Decorative Table Lamp



Magnetic head-body connection

| Technical data | |
|--------------------------|------------------|
| Designer | Stilnovo |
| Origin year | 1958 |
| Type | Table Lamps |
| Installation position | Floor |
| Installation environment | Indoor |
| Power | 1 x 8.5 W |
| Lamp cap | 1 x LED |
| Frequency | 60 Hz |
| Optics | General Lighting |
| Light emission direction | Downward |
| IP | IP20 |
| CE | Yes |
| Dimmable | Yes |
| Directional | Swivelling |
| Tilting | No |
| Cable included | Yes |
| Cable length | 6.6 ft |
| Net weight | 4.1 lbs |

| Casing | |
|-------------------------------|-------------------------------------------------------------------------------------------------|
| Material | Steel |
| Color | 9285 White RAL 9016 9286 Black RAL 9287 Coffee RAL 1001 9288 Green RAL 9289 Red RAL |
| Processing | Coating |
| Diffuser | |
| Material | PMMA |
| Processing | Transparent |
| Base | |
| Material | Steel |
| Processing | Coating |
| Lamping (recommended) | |
| 1 x 8.5W 2700K 90CRI INTEGRAL | |
| Delivered Lumen | 518 lm |
| Color temperature | 2700 K |
| Color rendering index | 90 CRI |