

# 1.5" ProTools Wallwash Square Recessed

## Very Small Aperture Wallwash

- Part of a complete family of 1.5" aperture matching downlights.
- Small aperture, low brightness wallwash.
- High lumen output and excellent color rendition for all applications.
- Multiple housing styles for mounting into all ceiling types.
- Very shallow ceiling depth required for both integral and remote drivers.

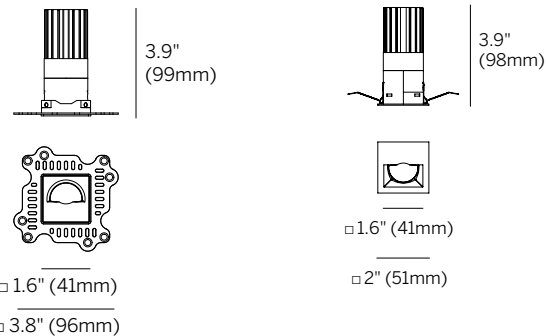


Recessed Plaster Trim (RPT)



Recessed Bezel Trim (RBT)

<b>Luminaire</b>	Die-caste aluminum for precision fit and heat dissipation Mounting hardware for all ceiling types; trim and trimless EZ clip mounting for secure installation Round open aperture with minimal ceiling interruption and regressed optical chamber
<b>LED</b>	92+ CRI Mid Power 2700K, 3000K, 3500K, 4000K, Warm Dim (1800K-3000K)
<b>Beam</b>	Wallwash
<b>Driver</b>	Integral and remote drivers for all dimming and non-dimming applications Non-Dim, 0-10V, Phase, Lutron, DALI driver options
<b>Installation</b>	NC - New Construction
<b>Housing</b>	LP - Landing Pan IC - Insulated Ceiling CP - Chicago Plenum Optional No Housing
<b>Warranty</b>	5-year Limited (see complete company warranty information)
<b>Certifications</b>	ETL and ETL-C for dry, damp and optional wet location



Plaster Trim (RPT)  
Cutout: □ 2" (50mm)

Bezel Trim (RBT)  
Cutout: □ 1.8" (46mm)

technical  
information

# 1.5" ProTools Wallwash Square Recessed

Model	Fixation	Power <sup>1</sup>	CRI	CCT <sup>2</sup>	Driver <sup>3,4</sup>	Cover	Beam	Trim Finish	Housing <sup>4</sup>	Options
WG-40SPTWW	RBT RPT	M	92	27 30 35 40 WD	S1* S2* SPH* D010* PEQ0* DALI*	SWW	WW	W (std) B S F	NC LP IC CP X <sup>5</sup>	WL EM

\*Add 'R' for remote driver, ex. 'RS2'

## Luminaire

- Part of a complete family of 1.5" aperture matching downlights.
- Small aperture, low brightness wallwash.
- Even illumination on 9' wall height with 18"-24" setback and 24"-36" spacing.
- High lumen output and excellent color rendition.
- Multiple housing styles for all mounting applications.
- Very shallow ceiling depth.
- L70 (TM21 Projected 85°C) = Static White 33,300 hours Warm Dim 55,000 hours.

## Fixation

- RPT = Recessed Plaster Trim
- RBT = Recessed Bezel Trim

## Power<sup>1</sup>

- M = Mid Power, 9.1W @ 500mA

## CRI

- 92 = 92 CRI

## CCT (Mid)<sup>2</sup>

- 27 = 2700K
- 30 = 3000K
- 35 = 3500K
- 40 = 4000K
- WD = Warm Dimming 1800 - 3000K

## Integral Driver NC / IC / CP Housings

### Accessible Ceiling<sup>3,4</sup>

- S1 = standard eldoLED non-dim or 1% 0-10V dimming, 120-277V, 12W
- S2 = standard eldoLED non-dim or 1% 0-10V dimming, 120-277V, 22W
- SPH = standard phase (2-wire) 10% dimming, 120V only, 12W
- D010 = eldoLED 1% 0-10V dimming, 120-277V, 30W
- PEQ0 = Lutron Hi-Lume Premier 0.1% EcoSystem, 120-277V, 20W
- DALI = eldoLED DALI-2 0.1% dimming, 120-277V, 20W

## Remote Driver for NC / LP / IC / CP<sup>3,4</sup>

- RS1 = standard eldoLED non-dim or 1% 0-10V dimming, 120-277V, 12W, for 1 fixture
- RS2 = standard eldoLED non-dim or 1% 0-10V dimming, 120-277V, 22W, for 1-2 fixtures
- RSPH = standard phase (2-wire) 10% dimming, 120V only, 12W, for 1 fixture
- RD010 = eldoLED 0.1% 0-10V dimming, 120-277V, 100W, for 1-8 fixtures
- RPEQ0 = Lutron Hi-Lume Premier 0.1% EcoSystem, 120-277V, 20W, for 1-2 fixtures
- RDALI = eldoLED DALI-2 0.1% dimming, 120-277V, 100W, for 1-4 fixtures

## Cover

- SWW = Square Wallwash

## Beam

- WW = Wallwash

## Trim Finish

- W = White, 15% gloss, RAL 9003 / Tiger Drylac 49/11350 (standard)
- B = Black, 15% gloss, RAL 9005 / Tiger Drylac 044/90053
- S = Silver, 15% gloss, RAL 9006 / Tiger Drylac 49/90500
- F = Custom finish, specify RAL code

## Housing<sup>4</sup>

- NC = New Construction Housing (integral driver for accessible ceilings only)
- LP = Landing Pan (for remote driver)
- IC = Insulated Ceiling Housing (integral driver for accessible ceilings only)
- CP = Chicago Plenum Housing (integral driver for accessible ceilings only)
- X = No Housing<sup>5</sup>

## Options

- WL = Wet location
- EM = Emergency LED battery backup (remote only)

Whitegoods reserves the right to change any information without prior notice.

## Notes

1. Wattage shown is for LED only, system wattage varies depending on driver selected.
2. See photometric data sheet for delivered lumens.
3. See driver information for details.
4. Refer to Housings detail page for additional information.
5. Fixture can be installed without housing.