

Luminaires must be installed by a qualified electrician. Check with local and national codes for proper installation.



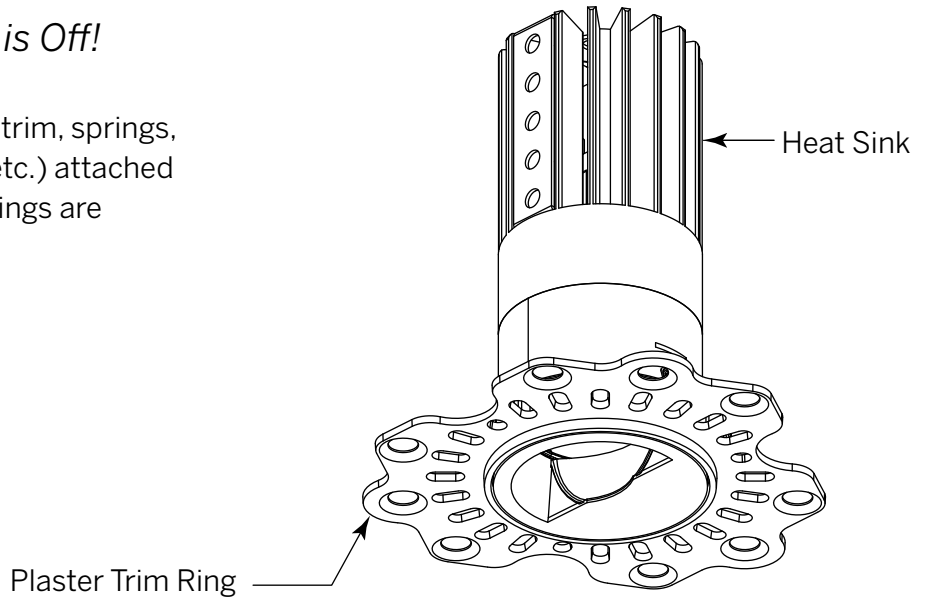
To prevent electrical shock disconnect electrical supply before installation or servicing.

Never connect a live fixture!!!

Contractor is responsible for adequately reinforcing walls and/or ceilings to support fixture weight. Provide blocking when necessary.

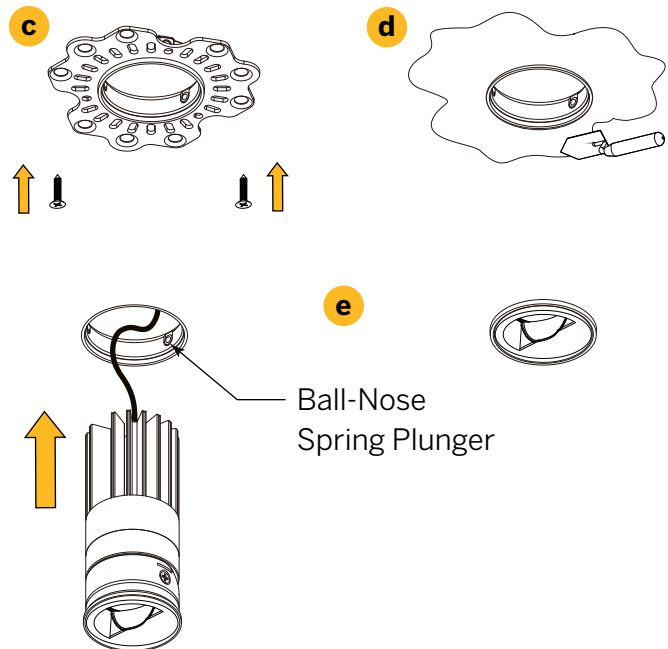
Step 1 - Confirm Power Supply is Off!

- a** Unpack luminaire unit. Unit ships with trim, springs, and accessories (e.g. lenses, louvers, etc.) attached as specified. Remote drivers and housings are supplied by Inter-lux.



Step 2 - Installing Downlight

- a** Cut 2-1/8" (54mm) diameter hole
- b** Detach trim ring from luminaire. To do so, lift trim ring up towards power cable. Three ball-nose spring plungers hold luminaire body in place and release with a small tug.
- c** Insert trim ring into hole. Use three drywall screws to secure to ceiling.
- d** Apply joint compound over trim ring. Feather edge flush with rim. Let dry.
- e** Insert luminaire into trim ring. Luminaire may need to be rotated so that plungers align between heat sink fins.



Removal:

See next page



Luminaires must be installed by a qualified electrician. Check with local and national codes for proper installation.



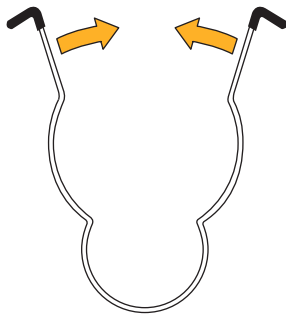
To prevent electrical shock disconnect electrical supply before installation or servicing.

Never connect a live fixture!!!

Contractor is responsible for adequately reinforcing walls and/or ceilings to support fixture weight. Provide blocking when necessary.

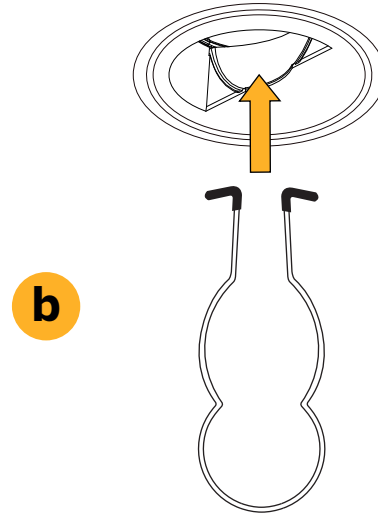
Confirm Power Supply is Off!

- a** Locate Core Removal Tool, pinch legs together.

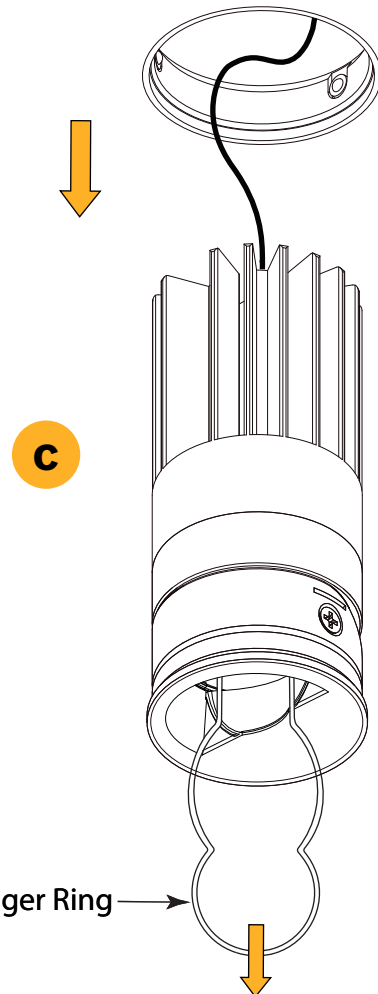


Core Removal Tool

- b** Insert tool into center of luminaire aperture, and release such that legs hook onto inner reflector.



- c** Pull on finger ring. Luminaire core will dislodge from plungers in trim with a firm tug.



Need Help?