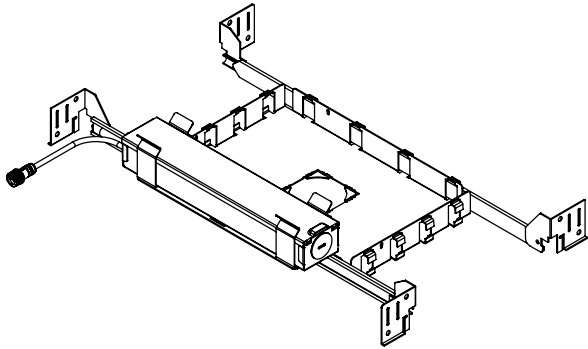


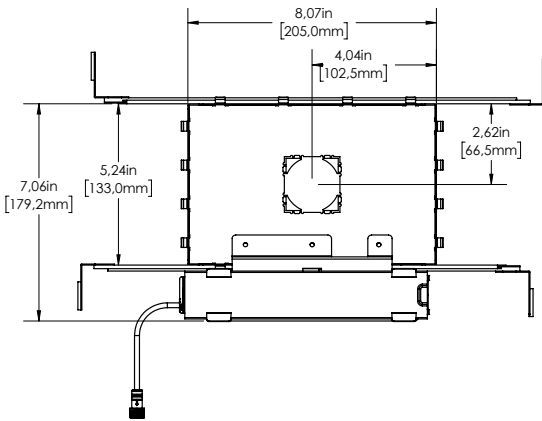
# 1.5" ProTools New Construction Housing [S, S010, SPH]



## Ordering Information for housing only

NC	
Model	Driver
NC = New Construction Housing	S1 S2 SPH EM

Hanger bars adjustable from 13.6 to 24.5" (345.4 to 622.3mm)

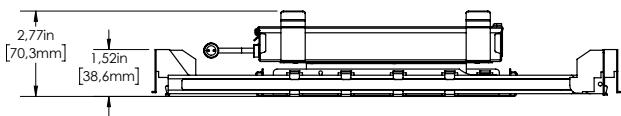


## New Construction Housing

- New Construction housing for accessible ceilings only.
- Housing compatible with round or square insert for plaster or bezel.
- Galvanized steel construction.
- Integral junction box and driver accessible from adjacent accessible ceiling.
- Supplied with hanger bars that adjust between 13.6" and 24.5".

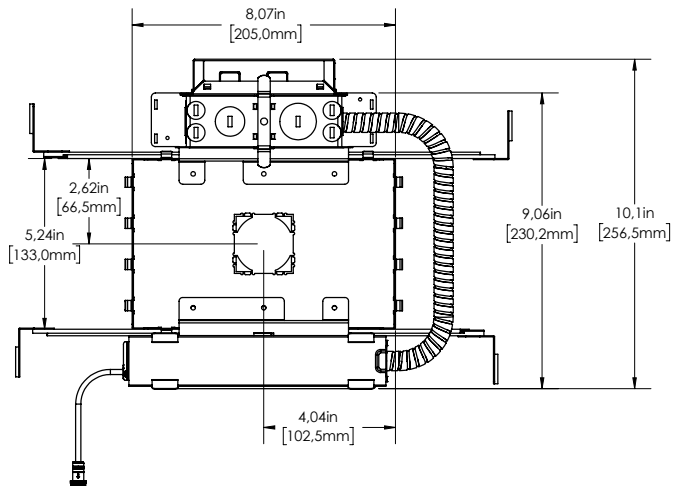
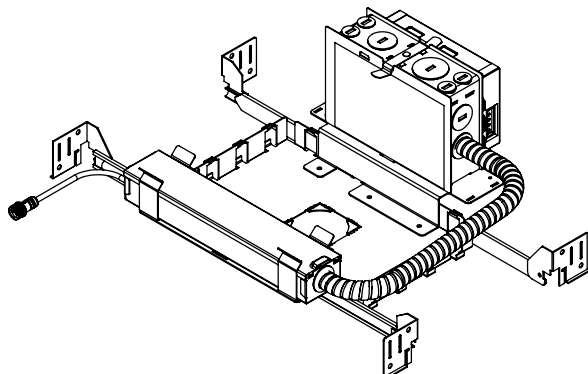
## Driver

- S1 = standard eldoLED non-dim or 1% 0-10V dimming, 120-277V, 12W
- S2 = standard eldoLED non-dim or 1% 0-10V dimming, 120-277V, 22W
- SPH = standard phase (2-wire) 10% dimming, 120V only, 12W
- EM = Emergency LED battery backup (remote only), 6W

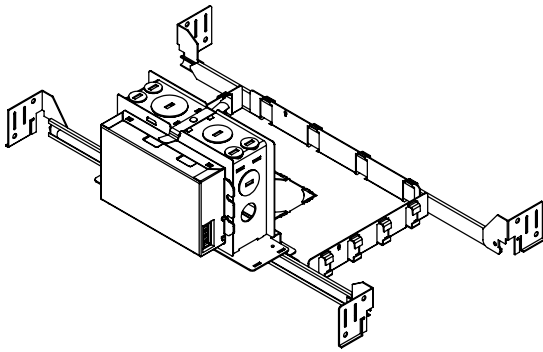


Driver Part Number	Driver Wattage	Control Protocol	Dimming Level	Fixtures Per Driver	Housing [Integral]	Housing [Remote]
S1	12W	Non-Dim / 0-10V	1%	1	NC - IC - CP	LP - IC - CP
S2	22W	Non-Dim / 0-10V	1%	1 - 2	NC - IC - CP	LP - IC - CP
SPH	12W	Forward Phase	10%	1	NC - IC - CP	LP - IC - CP
EM	6W	Emergency	-	1	NC	X - LP - IC - CP

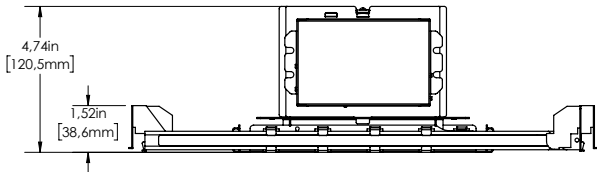
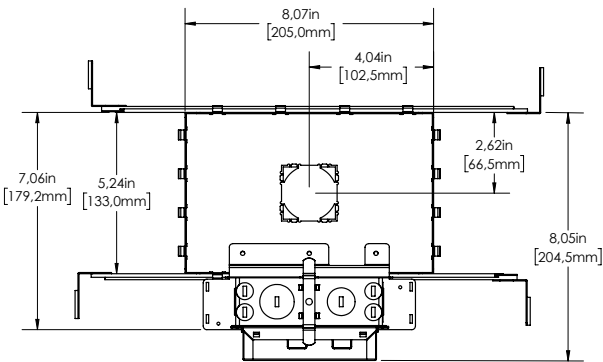
## Emergency Driver (EM)



# 1.5" ProTools New Construction Housing [D010, PEQ0, DALI]



Hanger bars adjustable from 13.6 to 24.5" (345.4 to 622.3mm)



## Ordering Information for housing only

NC	
Model	Driver <sup>1</sup>
NC = New Construction Housing	D010 PEQ0 DALI EM

## New Construction Housing

- New Construction housing for accessible ceilings only.
- Housing compatible with round or square insert for plaster or bezel.
- Galvanized steel construction.
- Integral junction box and driver accessible from adjacent accessible ceiling.
- Supplied with hanger bars that adjust between 13.6" and 24.5".

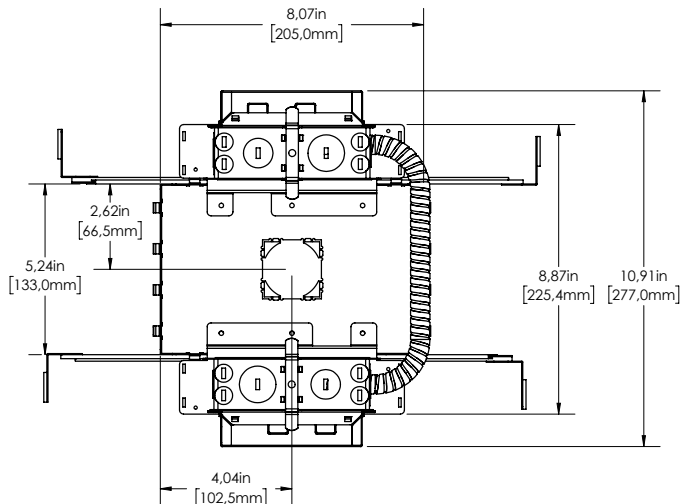
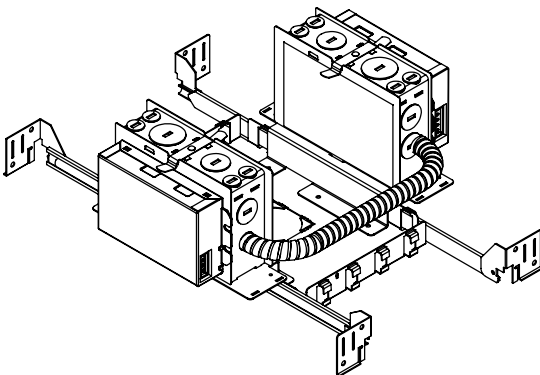
## Driver<sup>1</sup>

- D010 = EdoLED, 1% 0-10V dimming, 120-277V, 30W
- PEQ0 = Lutron Hi-lume Premier 0.1% EcoSystem, 120-277V, 20W
- DALI = edoLED DALI-2 0.1% dimming, 120-277V, 20W
- EM = Emergency LED battery backup (remote only), 6W

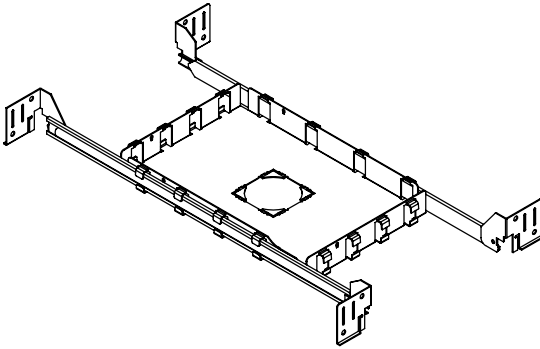
1 PEQ0 driver will be mounted within junction box.

Driver Part Number	Driver Wattage	Control Protocol	Dimming Level	Fixtures Per Driver	Housing [Integral]	Housing [Remote]
D010	30W	0-10V	1%	1 - 2	NC - IC - CP	LP - IC - CP
PEQ0	20W	EcoSystem	0.1%	1 - 2	NC - IC - CP	LP - IC - CP
DALI	20W	DALI-2	1%	1 - 2	NC - IC - CP	LP - IC - CP
EM	6W	Emergency	-	1	NC	X - LP - IC - CP

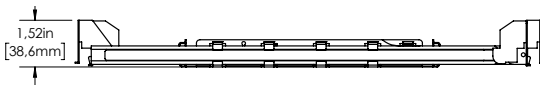
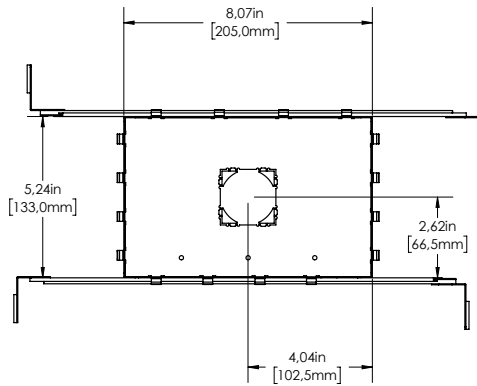
## Emergency Driver (EM)



# 1.5" ProTools Landing Pan



Hanger bars adjustable from 13.6 to 24.5" (345.4 to 622.3mm)



### Ordering Information for housing only

LP	
Model	Driver
LP = Landing Pan	RS1 RS2 RSPH RD010 RPEQ0 RDALI

### Landing Pan

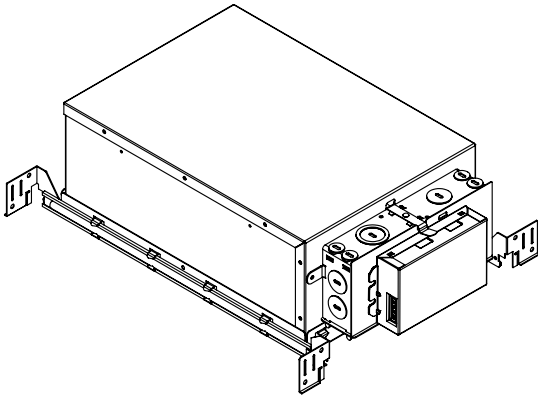
- Landing pan for accessible and inaccessible ceilings.
- Housing compatible with round or square insert for plaster or bezel.
- Galvanized steel construction.
- Supplied with hanger bars that adjust between 13.6" and 24.5".

### Driver

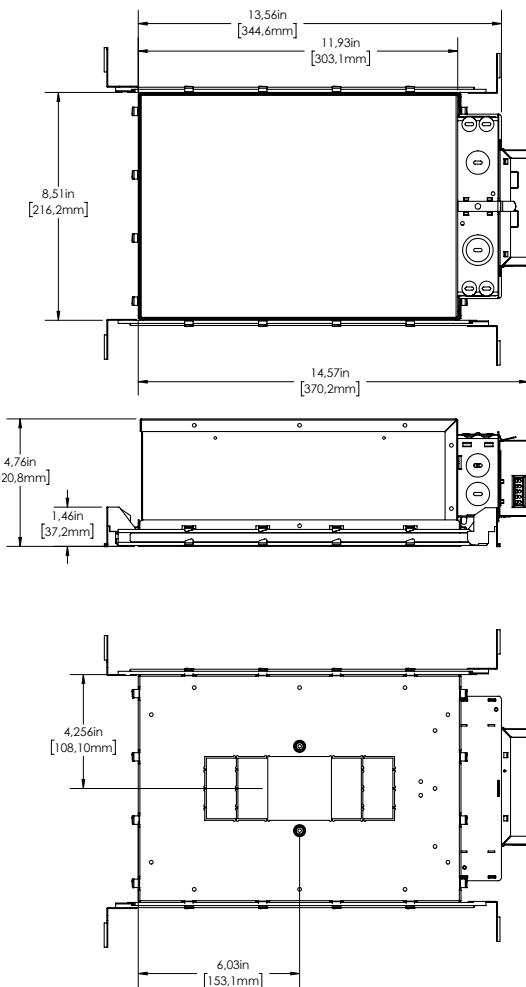
- RS1 = standard eldoLED non-dim or 1% 0-10V dimming, 120-277V, 12W
- RS2 = standard eldoLED non-dim or 1% 0-10V dimming, 120-277V, 22W
- RSPH = standard phase (2-wire) 10% dimming, 120V only, 12W
- RD010 = EldoLED, 1% 0-10V dimming, 120-277V, 100W
- RPEQ0 = Lutron Hi-lume Premier 0.1% EcoSystem, 120-277V, 12W
- RDALI = eldoLED DALI-2 0.1% dimming, 120-277V, 100W

Driver Part Number	Driver Wattage	Control Protocol	Dimming Level	Fixtures Per Driver	Housing [Integral]	Housing [Remote]
RS1	12W	Non-Dim / 0-10V	1%	1	-	X - LP - IC - CP
RS2	22W	Non-Dim / 0-10V	1%	1 - 2	-	X - LP - IC - CP
RSPH	12W	Forward Phase	10%	1	-	X - LP - IC - CP
RD010	100W	0-10V	0.1%	1 - 8	-	X - LP - IC - CP
RPEQ0	20W	EcoSystem	0.1%	1 - 2	-	X - LP - IC - CP
RDALI	100W	DALI-2	1%	1 - 4	-	X - LP - IC - CP
EM	6W	Emergency	-	1	NC	X - LP - IC - CP

# 1.5" ProTools Insulated Ceiling / Chicago Plenum Housings



Hanger bars adjustable from 13.6 to 24.5" (345.4 to 622.3mm)



## Ordering Information for housing only

Model	Driver <sup>1</sup>
IC = Insulated Ceiling CP = Chicago Plenum	S1 S2 SPH D010 PEQO DALI

### IC / CP Housing

- Installation Insulated Ceilings and Chicago Plenum.
- Galvanized steel construction.
- Fully caulked corners.
- Gasketed mating plaster frame surfaces and of integral junction box.
- Integral junction box for wire splice from external power source (optional).
- Supplied with hanger bars that adjust between 13.6" and 24.5".
- Anti-vibration embossing.
- Designed for an airflow rate not to exceed 2 CFM.

### Driver<sup>1</sup>

- S1 = standard eldoLED non-dim or 1% 0-10V dimming, 120-277V, 12W
- S2 = standard eldoLED non-dim or 1% 0-10V dimming, 120-277V, 22W
- SPH = standard phase (2-wire) 10% dimming, 120V only, 12W
- D010 = EldoLED, 1% 0-10V dimming, 120-277V, 30W
- PEQO = Lutron Hi-lume Premier 0.1% EcoSystem, 120-277V, 20W
- DALI = eldoLED DALI-2 0.1% dimming, 120-277V, 30W

<sup>1</sup> S, S010, SPH and PEQO drivers are mounted within junction box.

Driver Part Number	Driver Wattage	Control Protocol	Dimming Level	Fixtures Per Driver	Housing [Integral]	Housing [Remote]
S1	12W	Non-Dim / 0-10V	1%	1	NC - IC - CP	LP - IC - CP
S2	22W	Non-Dim / 0-10V	1%	1 - 2	NC - IC - CP	LP - IC - CP
SPH	12W	Forward Phase	10%	1	NC - IC - CP	LP - IC - CP
D010	30W	0-10V	1%	1 - 2	NC - IC - CP	LP - IC - CP
PEQO	20W	EcoSystem	0.1%	1 - 2	NC - IC - CP	LP - IC - CP
DALI	20W	DALI-2	1%	1 - 2	NC - IC - CP	LP - IC - CP
EM	6W	Emergency	-	1	NC	X - LP - IC - CP