

1.5" ProTools Downlights

driver information

Please refer to driver manufacturer's website for current data sheets and wiring guidelines.

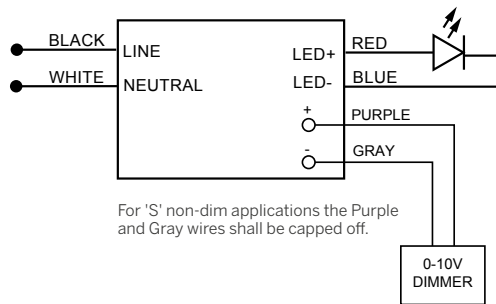
DRIVER PART NUMBER	DRIVER WATTAGE	CONTROL PROTOCOL	DIMMING LEVEL	FIXTURES PER DRIVER	HOUSING [INTEGRAL]	HOUSING [REMOTE]
S1	12W	Non-Dim / 0-10V	1%	1	NC - IC - CP	LP - IC - CP
S2	22W	Non-Dim / 0-10V	1%	1 - 2	NC - IC - CP	LP - IC - CP
SPH	12W	Forward Phase	10%	1	NC - IC - CP	LP - IC - CP
D010	30W	0-10V	1%	1 - 2	NC - IC - CP	LP - IC - CP
PEQ0	20W	EcoSystem	0.1%	1 - 2	NC - IC - CP	LP - IC - CP
DALI	20W	DALI-2	1%	1 - 2	NC - IC - CP	LP - IC - CP
RS1	12W	Non-Dim / 0-10V	1%	1	-	X - LP - IC - CP
RS2	22W	Non-Dim / 0-10V	1%	1 - 2	-	X - LP - IC - CP
RSPH	12W	Forward Phase	10%	1	-	X - LP - IC - CP
RD010	100W	0-10V	0.1%	1 - 8	-	X - LP - IC - CP
RPEQ0	20W	EcoSystem	0.1%	1 - 2	-	X - LP - IC - CP
RDALI	100W	DALI-2	1%	1 - 4	-	X - LP - IC - CP
EM	6W	Emergency	-	1	NC	X - LP - IC - CP

Integral

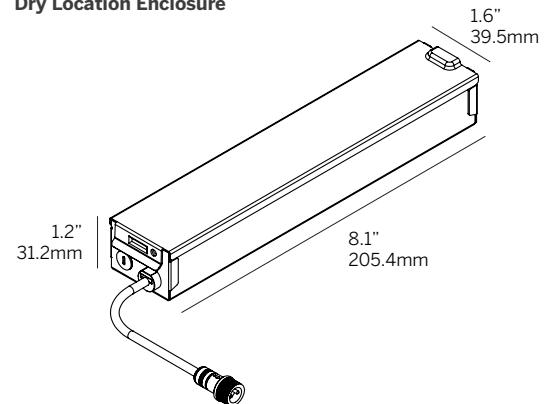
S1 / S2 = standard eLdoLED non-dim or 1% 0-10V dimming, 120-277V

S1 (1 fixture per driver) [12W spec sheet](#)

S2 (2 fixtures per driver) [22W spec sheet](#)



Dry Location Enclosure



Wire gauge	Maximum wiring distance ¹
AWG 20 (0.52 mm ²)	46 ft (14 m)
AWG 19 (0.65 mm ²)	59 ft (18 m)
AWG 18 (0.82 mm ²)	72 ft (22 m)
AWG 17 (1.04 mm ²)	92 ft (28 m)
AWG 16 (1.31 mm ²)	118 ft (36 m)

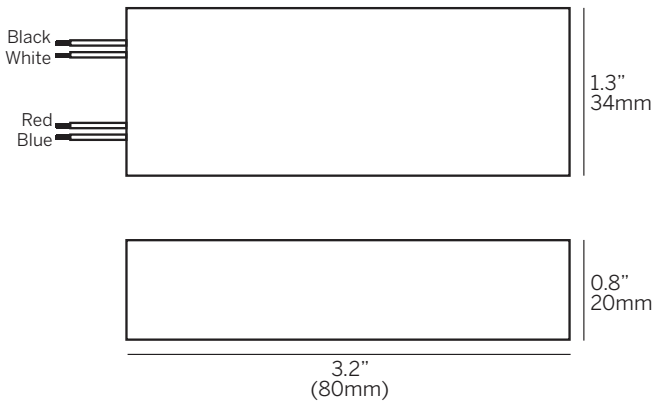
¹Actual distance must be calculated by installer. Must comply with NEC code.

1.5" ProTools Downlights

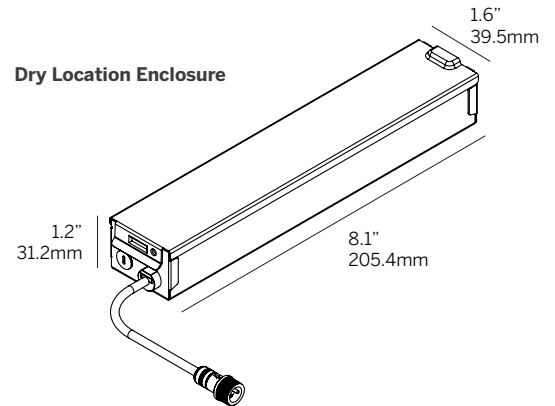
driver information

Integral

SPH = standard phase (2-wire) 10% dimming, 120V only (1 fixture per driver) [spec sheet](#)



Input	12", Black (L), White (N) #18AWG
Output	12", Red (+), Blue (-) #18AWG



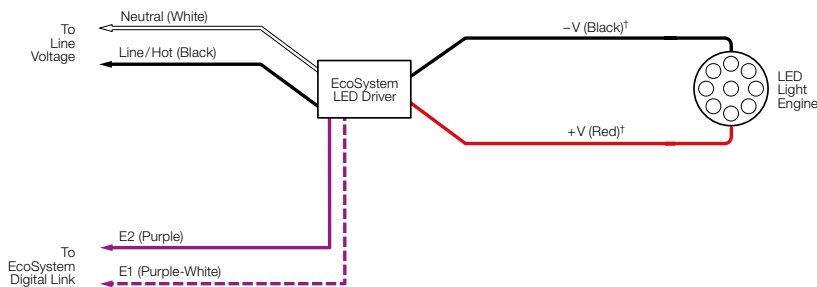
Wire gauge	Maximum wiring distance ¹
AWG 20 (0.52 mm ²)	46 ft (14 m)
AWG 19 (0.65 mm ²)	59 ft (18 m)
AWG 18 (0.82 mm ²)	72 ft (22 m)
AWG 17 (1.04 mm ²)	92 ft (28 m)
AWG 16 (1.31 mm ²)	118 ft (36 m)

¹Actual distance must be calculated by installer. Must comply with NEC code.

DO10 = eldoLED 1% 0-10V dimming, 120-277V (1-2 fixtures per driver) [spec sheet](#)



PEQ0 = Lutron Hi-Lume Premier 0.1% EcoSystem, 120-277V (1-2 fixtures per driver) [spec sheet](#)



DALI = eldoLED DALI-2 0.1% dimming, 120-277V (1-2 fixtures per driver) [spec sheet](#)

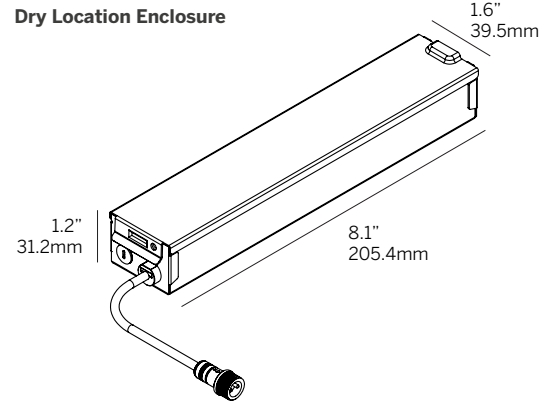
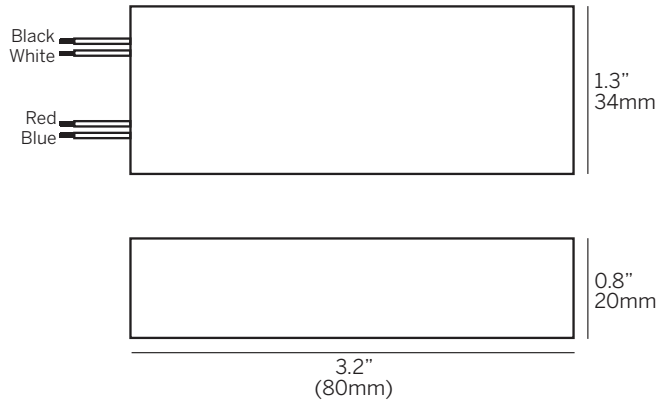


1.5" ProTools Downlights

driver information

Remote

RSPH = standard phase (2-wire) 10% dimming, 120V only [remote] (1 fixture per driver) [spec sheet](#)

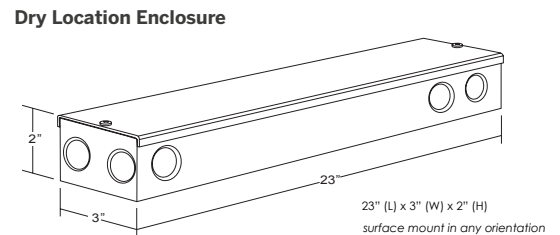


Input	12", Black (L), White (N) #18AWG
Output	12", Red (+), Blue (-) #18AWG

Wire gauge	Maximum wiring distance ¹
AWG 20 (0.52 mm ²)	46 ft (14 m)
AWG 19 (0.65 mm ²)	59 ft (18 m)
AWG 18 (0.82 mm ²)	72 ft (22 m)
AWG 17 (1.04 mm ²)	92 ft (28 m)
AWG 16 (1.31 mm ²)	118 ft (36 m)

¹Actual distance must be calculated by installer. Must comply with NEC code.

RD010 = eldoLED 0.1% 0-10V dimming, 120-277V [remote] (1-8 fixtures per driver) [spec sheet](#)



Wire gauge	Maximum wiring distance ¹
AWG 20 (0.52 mm ²)	46 ft (14 m)
AWG 19 (0.65 mm ²)	59 ft (18 m)
AWG 18 (0.82 mm ²)	72 ft (22 m)
AWG 17 (1.04 mm ²)	92 ft (28 m)
AWG 16 (1.31 mm ²)	118 ft (36 m)

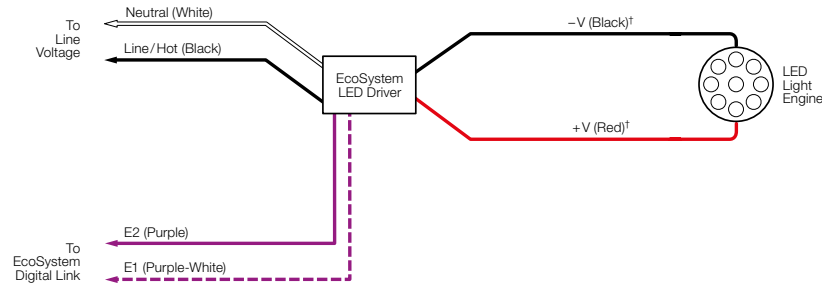
¹Actual distance must be calculated by installer. Must comply with NEC code.

1.5" ProTools Downlights

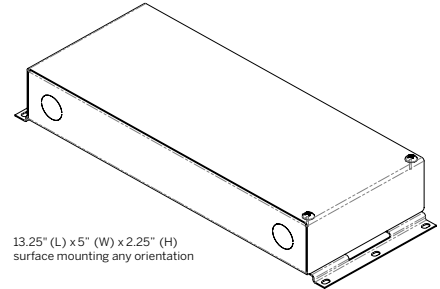
driver information

Remote

RPEQ0 = Lutron Hi-Lume Premier 0.1% EcoSystem, 120-277V [remote] (1-2 fixtures per driver) [spec sheet](#)



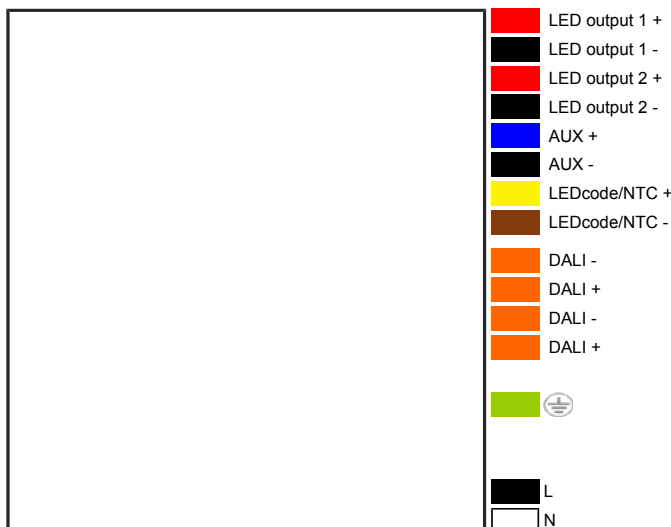
Dry Location Enclosure



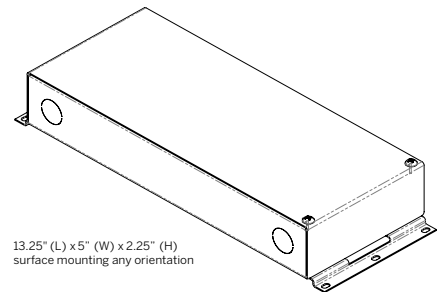
Wire gauge	Maximum lead length ¹
	150 mA to 700 mA
18 AWG (0.75 mm ²)	30 ft (9 m)
16 AWG (1.5 mm ²)	35 ft (10.5 m)
14 AWG (2.5 mm ²)	50 ft (15 m)
12 AWG (4.0 mm ²)	100 ft (30 m)

¹Actual distance must be calculated by installer. Must comply with NEC code.

RDALI = eldoLED DALI-2 0.1% dimming, 120-277V [remote] (1-4 fixtures per driver) [spec sheet](#)



Dry Location Enclosure



Wire gauge	Maximum wiring distance ¹
AWG 20 (0.52 mm ²)	46 ft (14 m)
AWG 19 (0.65 mm ²)	59 ft (18 m)
AWG 18 (0.82 mm ²)	72 ft (22 m)
AWG 17 (1.04 mm ²)	92 ft (28 m)
AWG 16 (1.31 mm ²)	118 ft (36 m)

¹Actual distance must be calculated by installer. Must comply with NEC code.