

1.5" ProTools Downlights

driver information

Please refer to driver manufacturer's website for current data sheets and wiring guidelines.

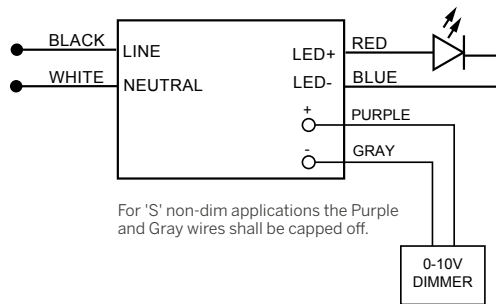
| DRIVER PART NUMBER | DRIVER WATTAGE | CONTROL PROTOCOL | DIMMING LEVEL | FIXTURES PER DRIVER | HOUSING [INTEGRAL] | HOUSING [REMOTE] |
|--------------------|----------------|------------------|---------------|---------------------|--------------------|------------------|
| S1 | 12W | Non-Dim / 0-10V | 1% | 1 | NC - IC - CP | LP - IC - CP |
| S2 | 22W | Non-Dim / 0-10V | 1% | 1 - 2 | NC - IC - CP | LP - IC - CP |
| SPH | 12W | Forward Phase | 10% | 1 | NC - IC - CP | LP - IC - CP |
| D010 | 30W | 0-10V | 1% | 1 - 2 | NC - IC - CP | LP - IC - CP |
| PEQ0 | 20W | EcoSystem | 0.1% | 1 - 2 | NC - IC - CP | LP - IC - CP |
| DALI | 20W | DALI-2 | 1% | 1 - 2 | NC - IC - CP | LP - IC - CP |
| RS1 | 12W | Non-Dim / 0-10V | 1% | 1 | - | X - LP - IC - CP |
| RS2 | 22W | Non-Dim / 0-10V | 1% | 1 - 2 | - | X - LP - IC - CP |
| RSPH | 12W | Forward Phase | 10% | 1 | - | X - LP - IC - CP |
| RD010 | 100W | 0-10V | 0.1% | 1 - 8 | - | X - LP - IC - CP |
| RPEQ0 | 20W | EcoSystem | 0.1% | 1 - 2 | - | X - LP - IC - CP |
| RDALI | 100W | DALI-2 | 1% | 1 - 4 | - | X - LP - IC - CP |
| EM | 6W | Emergency | - | 1 | NC | X - LP - IC - CP |

Integral

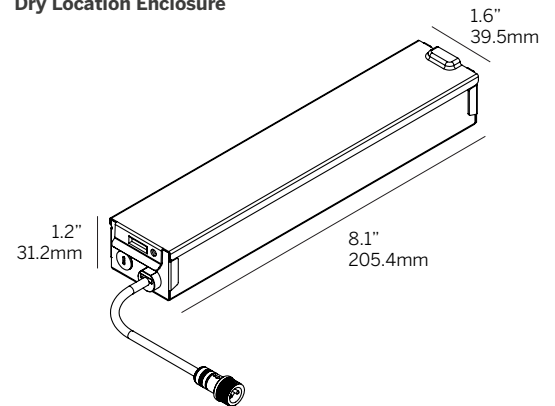
S1 / S2 = standard eldoLED non-dim or 1% 0-10V dimming, 120-277V

S1 (1 fixture per driver) [12W spec sheet](#)

S2 (2 fixtures per driver) [22W spec sheet](#)



Dry Location Enclosure



| Wire gauge | Maximum wiring distance ¹ |
|--------------------------------|--------------------------------------|
| AWG 20 (0.52 mm ²) | 46 ft (14 m) |
| AWG 19 (0.65 mm ²) | 59 ft (18 m) |
| AWG 18 (0.82 mm ²) | 72 ft (22 m) |
| AWG 17 (1.04 mm ²) | 92 ft (28 m) |
| AWG 16 (1.31 mm ²) | 118 ft (36 m) |

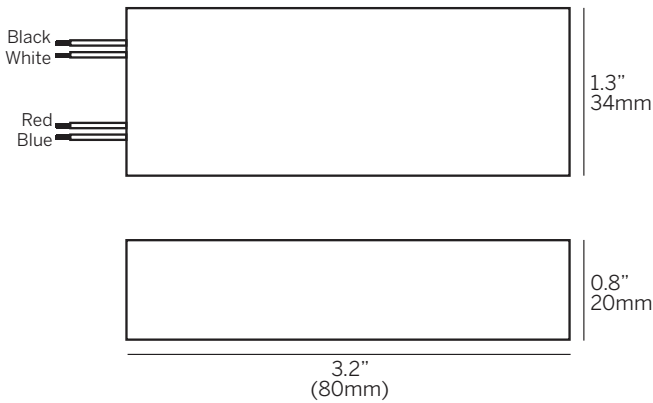
¹Actual distance must be calculated by installer. Must comply with NEC code.

1.5" ProTools Downlights

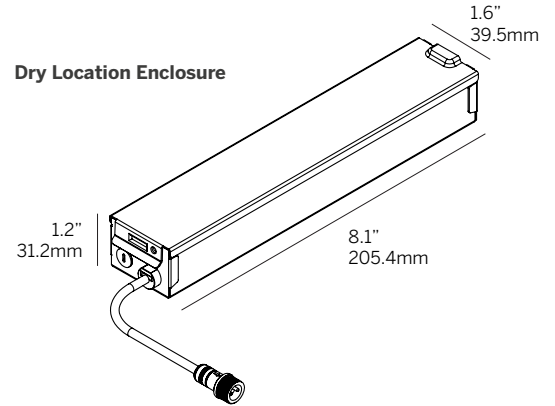
driver information

Integral

SPH = standard phase (2-wire) 10% dimming, 120V only (1 fixture per driver) [spec sheet](#)



| | |
|--------|----------------------------------|
| Input | 12", Black (L), White (N) #18AWG |
| Output | 12", Red (+), Blue (-) #18AWG |



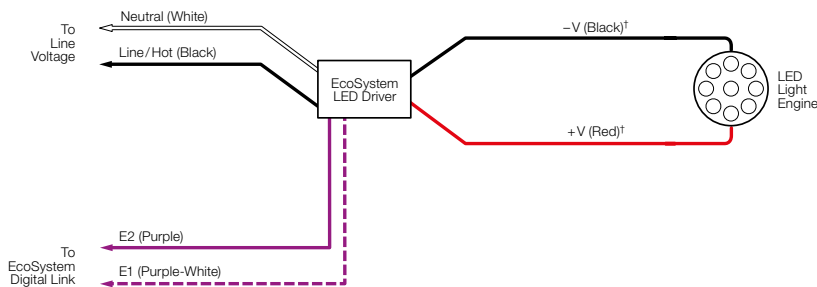
| Wire gauge | Maximum wiring distance ¹ |
|--------------------------------|--------------------------------------|
| AWG 20 (0.52 mm ²) | 46 ft (14 m) |
| AWG 19 (0.65 mm ²) | 59 ft (18 m) |
| AWG 18 (0.82 mm ²) | 72 ft (22 m) |
| AWG 17 (1.04 mm ²) | 92 ft (28 m) |
| AWG 16 (1.31 mm ²) | 118 ft (36 m) |

¹Actual distance must be calculated by installer. Must comply with NEC code.

DO10 = eldoLED 1% 0-10V dimming, 120-277V (1-2 fixtures per driver) [spec sheet](#)



PEQ0 = Lutron Hi-Lume Premier 0.1% EcoSystem, 120-277V (1-2 fixtures per driver) [spec sheet](#)



DALI = eldoLED DALI-2 0.1% dimming, 120-277V (1-2 fixtures per driver) [spec sheet](#)

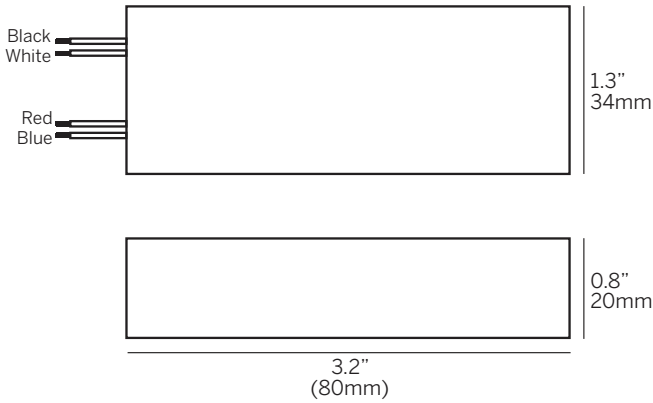


1.5" ProTools Downlights

driver information

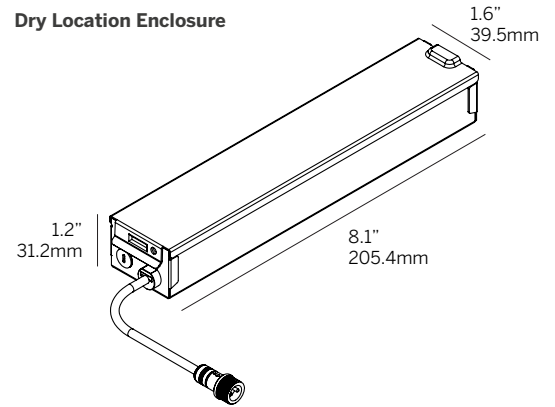
Remote

RSPH = standard phase (2-wire) 10% dimming, 120V only [remote] (1 fixture per driver) [spec sheet](#)



| | |
|--------|----------------------------------|
| Input | 12", Black (L), White (N) #18AWG |
| Output | 12", Red (+), Blue (-) #18AWG |

Dry Location Enclosure



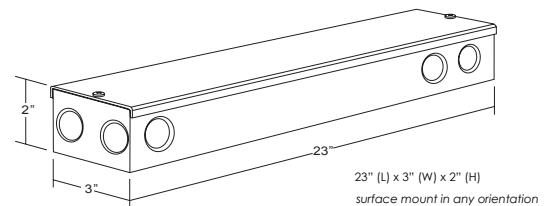
| Wire gauge | Maximum wiring distance ¹ |
|--------------------------------|--------------------------------------|
| AWG 20 (0.52 mm ²) | 46 ft (14 m) |
| AWG 19 (0.65 mm ²) | 59 ft (18 m) |
| AWG 18 (0.82 mm ²) | 72 ft (22 m) |
| AWG 17 (1.04 mm ²) | 92 ft (28 m) |
| AWG 16 (1.31 mm ²) | 118 ft (36 m) |

¹Actual distance must be calculated by installer. Must comply with NEC code.

RD010 = eldoLED 0.1% 0-10V dimming, 120-277V [remote] (1-8 fixtures per driver) [spec sheet](#)



Dry Location Enclosure



| Wire gauge | Maximum wiring distance ¹ |
|--------------------------------|--------------------------------------|
| AWG 20 (0.52 mm ²) | 46 ft (14 m) |
| AWG 19 (0.65 mm ²) | 59 ft (18 m) |
| AWG 18 (0.82 mm ²) | 72 ft (22 m) |
| AWG 17 (1.04 mm ²) | 92 ft (28 m) |
| AWG 16 (1.31 mm ²) | 118 ft (36 m) |

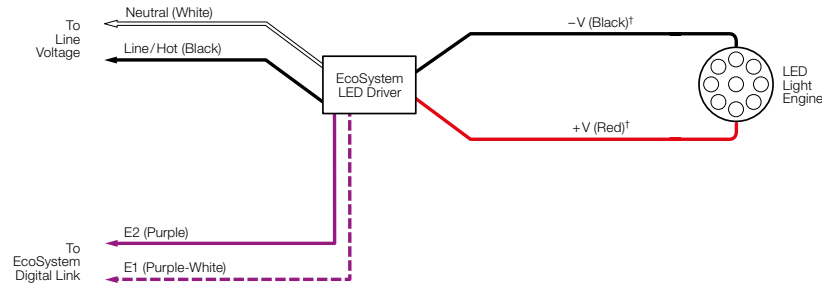
¹Actual distance must be calculated by installer. Must comply with NEC code.

1.5" ProTools Downlights

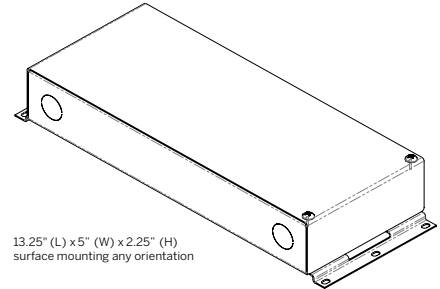
driver information

Remote

RPEQ0 = Lutron Hi-Lume Premier 0.1% EcoSystem, 120-277V [remote] (1-2 fixtures per driver) [spec sheet](#)



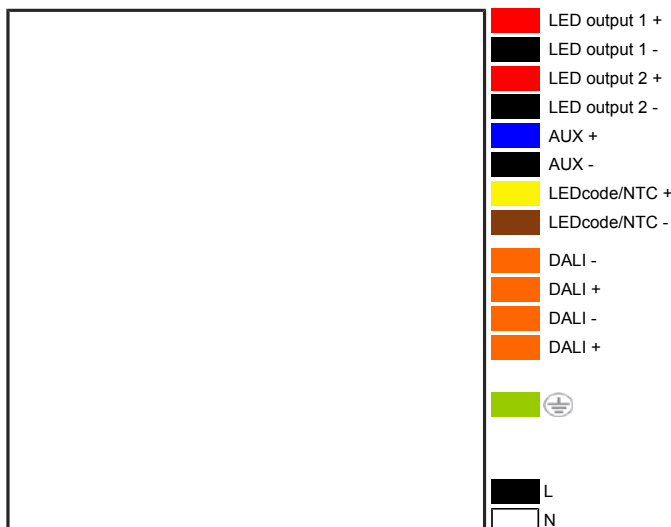
Dry Location Enclosure



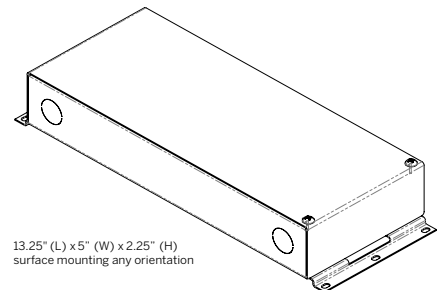
| Wire gauge | Maximum lead length ¹ |
|--------------------------------|----------------------------------|
| | 150 mA to 700 mA |
| 18 AWG (0.75 mm ²) | 30 ft (9 m) |
| 16 AWG (1.5 mm ²) | 35 ft (10.5 m) |
| 14 AWG (2.5 mm ²) | 50 ft (15 m) |
| 12 AWG (4.0 mm ²) | 100 ft (30 m) |

¹Actual distance must be calculated by installer. Must comply with NEC code.

RDALI = eldoLED DALI-2 0.1% dimming, 120-277V [remote] (1-4 fixtures per driver) [spec sheet](#)



Dry Location Enclosure



| Wire gauge | Maximum wiring distance ¹ |
|--------------------------------|--------------------------------------|
| AWG 20 (0.52 mm ²) | 46 ft (14 m) |
| AWG 19 (0.65 mm ²) | 59 ft (18 m) |
| AWG 18 (0.82 mm ²) | 72 ft (22 m) |
| AWG 17 (1.04 mm ²) | 92 ft (28 m) |
| AWG 16 (1.31 mm ²) | 118 ft (36 m) |

¹Actual distance must be calculated by installer. Must comply with NEC code.