

Luminaires must be installed by a qualified electrician. Check with local and national codes for proper installation.



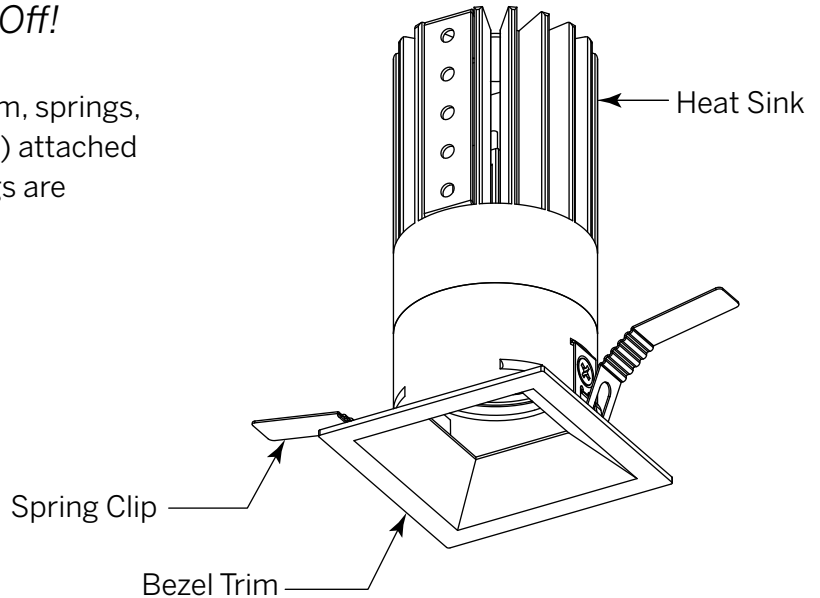
To prevent electrical shock disconnect electrical supply before installation or servicing.

Never connect a live fixture!!!

Contractor is responsible for adequately reinforcing walls and/or ceilings to support fixture weight. Provide blocking when necessary.

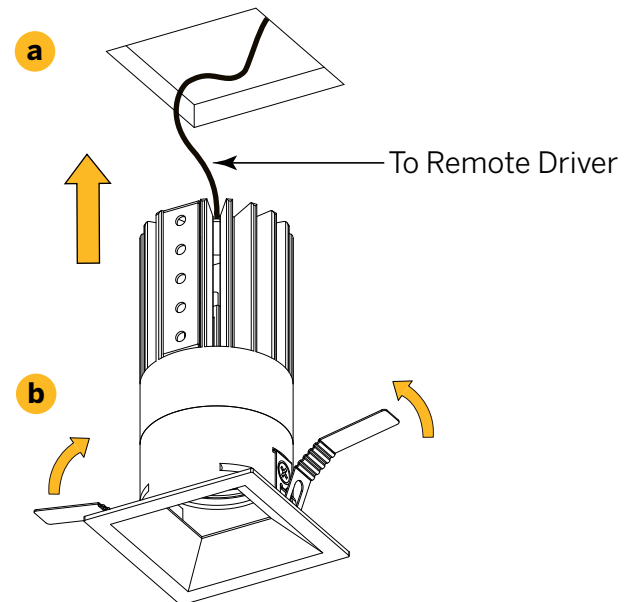
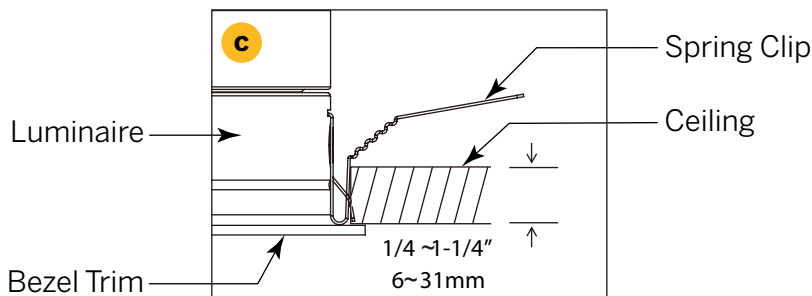
Step 1 - Confirm Power Supply is Off!

- a** Unpack luminaire unit. Unit ships with trim, springs, and accessories (e.g. lenses, louvers, etc.) attached as specified. Remote drivers and housings are supplied by Inter-lux.



Step 2 - Installing Downlight

- a** Cut 1-13/16" x 1-13/16" (46mm x 46mm) hole
- b** Bend Spring Clips upward and insert fixture into hole
- c** Clips will spring back up to secure fixture



Removal:

Luminaire may be removed by gripping bezel with fingertips and pulling down. Springs will compress allowing for better hold to pull fixture out further.



IMPORTANT: Add a bit of slack to power cord such that there is enough for luminaire to be fully removed without tugging on remote driver.