

Luminaires must be installed by a qualified electrician. Check with local and national codes for proper installation.



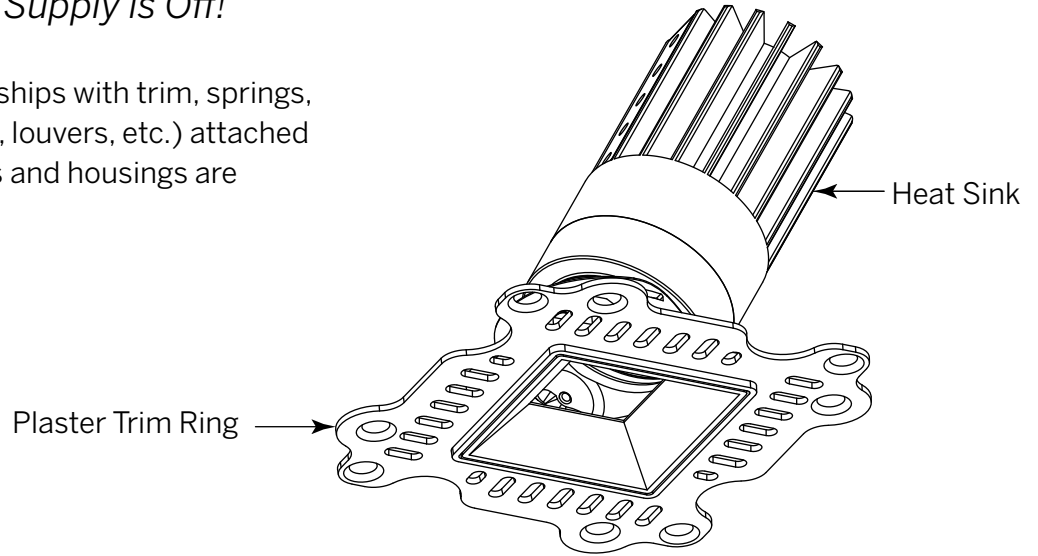
To prevent electrical shock disconnect electrical supply before installation or servicing.

**Never connect a live fixture!!!**

Contractor is responsible for adequately reinforcing walls and/or ceilings to support fixture weight. Provide blocking when necessary.

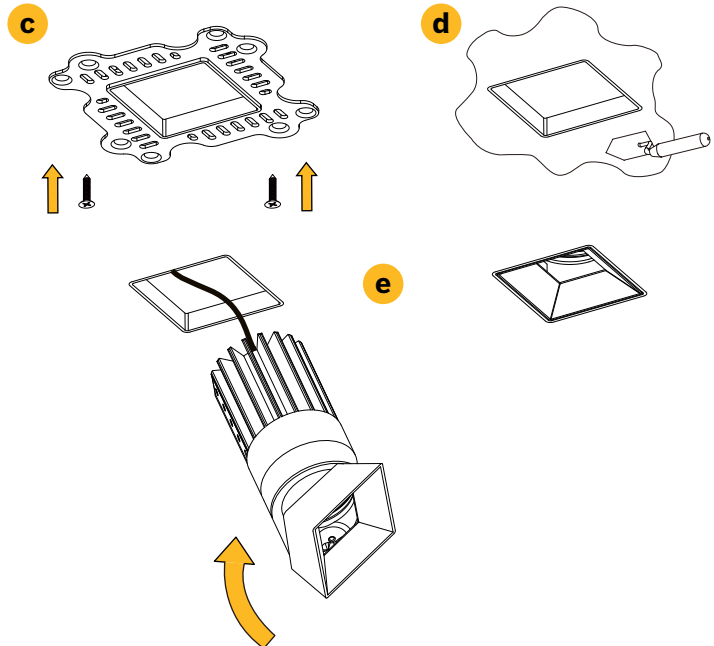
## Step 1 - Confirm Power Supply is Off!

- a** Unpack luminaire unit. Unit ships with trim, springs, and accessories (e.g. lenses, louvers, etc.) attached as specified. Remote drivers and housings are supplied by Inter-lux.



## Step 2 - Installing Downlight

- a** Cut 2-1/8" x 2-1/8" (54mm x 54mm) opening
- b** Detach trim ring from luminaire. To do so, lift trim ring up towards heat sink. Three ball-nose spring plungers that hold luminaire body in place will release with a small tug.
- c** Insert trim ring into hole. Use 2-4 drywall screws to secure to ceiling.
- d** Apply joint compound over trim ring. Feather edge flush with rim. Let dry.
- e** Insert luminaire into trim ring. Luminaire may need to be rotated so that plungers align between heat sink fins. As luminaire body clears ring, curve insertion path and reflector will click into ring.



### Removal:

See next page



**IMPORTANT:** Add a bit of slack to power cord such that there is enough for luminaire to be fully removed without tugging on remote driver.

Luminaires must be installed by a qualified electrician. Check with local and national codes for proper installation.



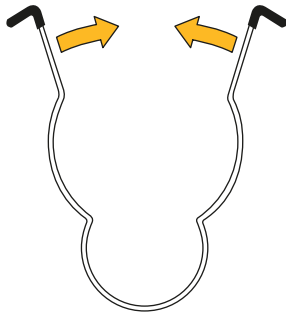
To prevent electrical shock disconnect electrical supply before installation or servicing.

**Never connect a live fixture!!!**

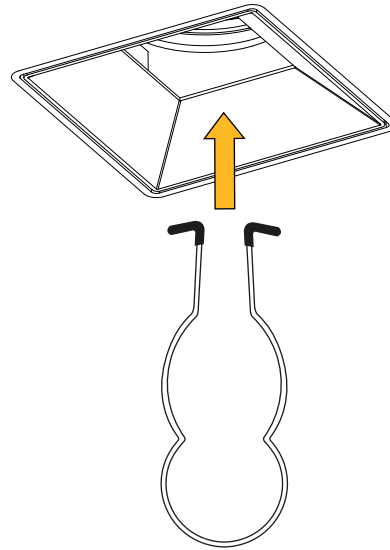
Contractor is responsible for adequately reinforcing walls and/or ceilings to support fixture weight. Provide blocking when necessary.

## Confirm Power Supply is Off!

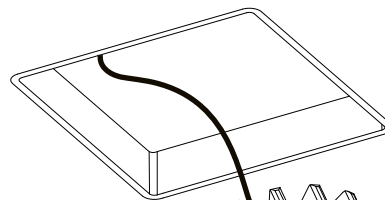
**a** Locate Core Removal Tool, pinch legs together.



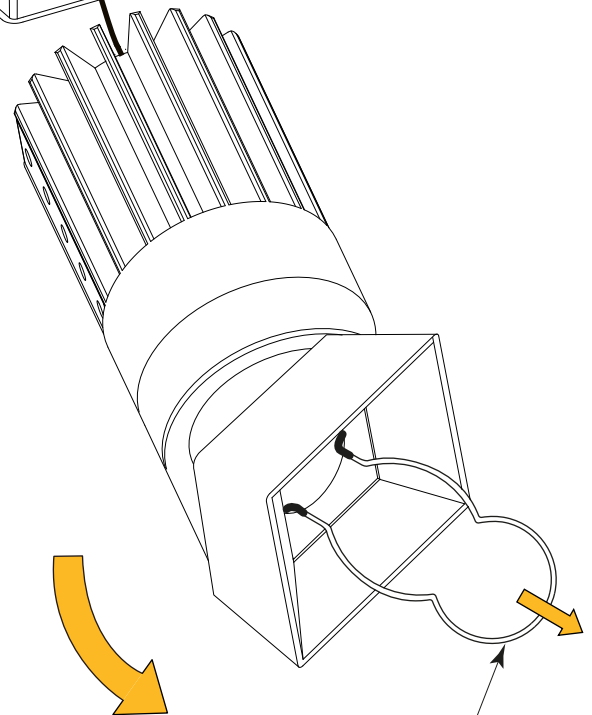
Core Removal Tool



**b** Insert tool into center of luminaire aperture, and release such that legs hook onto inner reflector.



**c** Pull on finger ring. Luminaire core will dislodge from plungers in trim with a firm tug. Take care to rotate luminaire as it is withdrawn such that heat sink and upper half of unit are not damaged.



Need Help?

Finger Ring