

Luminaires must be installed by a qualified electrician. Check with local and national codes for proper installation.



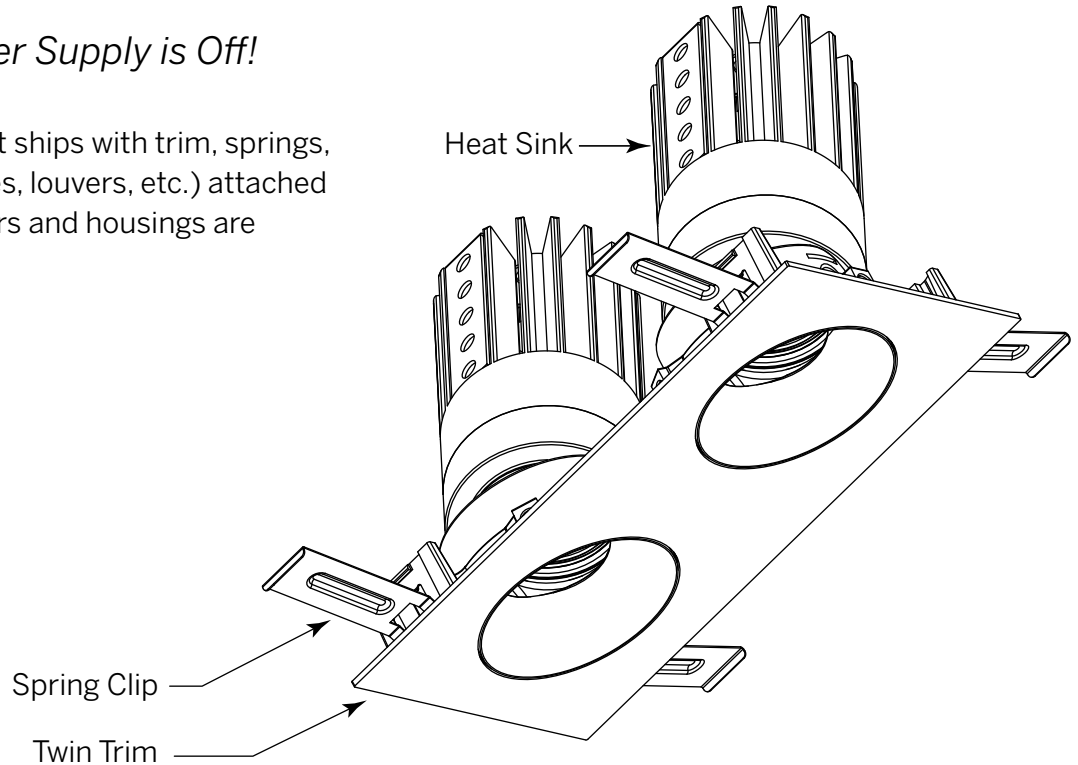
To prevent electrical shock disconnect electrical supply before installation or servicing.

Never connect a live fixture!!!

Contractor is responsible for adequately reinforcing walls and/or ceilings to support fixture weight. Provide blocking when necessary.

Step 1 - Confirm Power Supply is Off!

- a** Unpack luminaire unit. Unit ships with trim, springs, and accessories (e.g. lenses, louvers, etc.) attached as specified. Remote drivers and housings are supplied by Inter-lux.

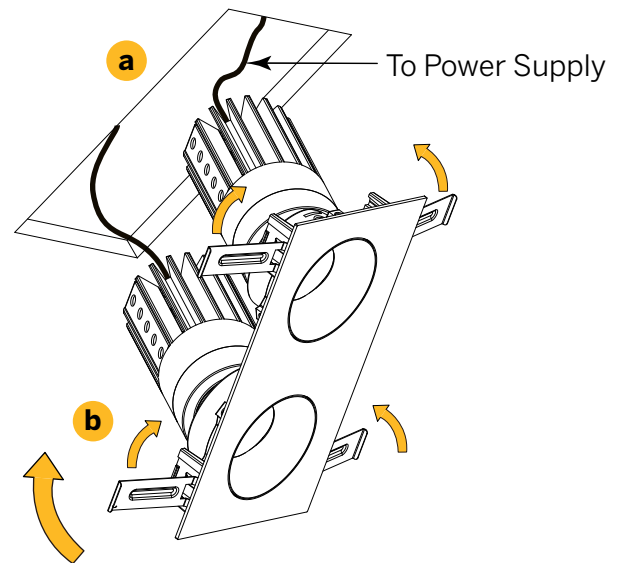


Step 2 - Installing Downlight

- a** Cut 2-3/8" x 4-3/4" (60mm x 120mm) opening
- b** Bend spring clips upward and insert fixture into hole. Rotate fixture as soon as heat sinks clear opening such that trim lies flat on ceiling.
- c** Clips will spring back up above ceiling to secure fixture. Center as necessary.

Removal:

Luminaire may be removed by gripping bezel with fingertips and pulling down. Springs will compress allowing for better hold to pull fixture out further.



IMPORTANT: Add a bit of slack to power cords such that there is enough for luminaire to be fully removed without tugging on remote driver.

