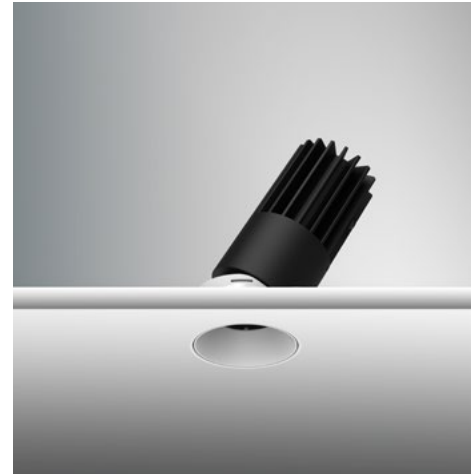


1.5" ProTools Adjustable Round Recessed

Very Small Aperture Adjustable Downlight

- Part of a complete family of 1.5" aperture matching downlights.
- Very small aperture, low brightness downlight for general and accent illumination.
- High lumen output and excellent color rendition for all applications.
- Multiple housing styles for mounting into all ceiling types.
- Very shallow ceiling depth required for both integral and remote drivers.
- 30 degree adjustability, 365 degree rotation.

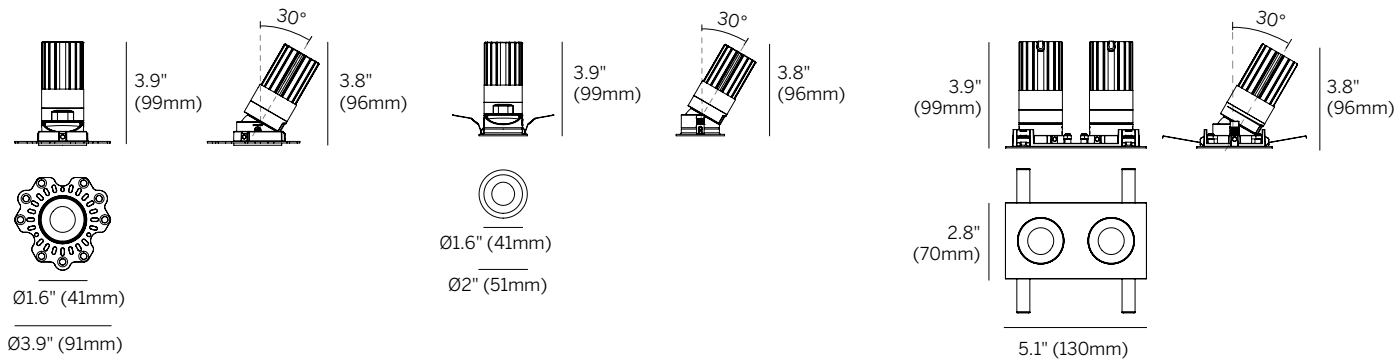


Recessed Plaster Trim (RPT)



Recessed Bezel Trim (RBT)

Luminaire	Die-caste aluminum for precision fit and heat dissipation Mounting hardware for all ceiling types; trim and trimless EZ clip mounting for secure installation Round open aperture with minimal ceiling interruption and regressed optical chamber
LED	92+ CRI Mid Power 2700K, 3000K, 3500K, 4000K, Warm Dim (1800K-3000K)
Beam	20°, 25°, 35°, 50°
Driver	Integral and remote drivers for all dimming and non-dimming applications Non-Dim, 0-10V, Phase, Lutron, DALI driver options
Installation	NC - New Construction
Housing	LP - Landing Pan IC - Insulated Ceiling CP - Chicago Plenum Optional No Housing
Warranty	5-year Limited (see complete company warranty information)
Certifications	ETL and ETL-C for dry and damp location



Plaster Trim (RPT)
Cutout: □ 2.1" (50mm)

Bezel Trim (RBT)
Cutout: □ 1.8" (45mm)

Twin Trim (TT)
Cutout: 1.4" x 4.7"
(60 x 120mm)

technical information

1.5" ProTools Adjustable Round Recessed

Model	Fixation	Power ²	CRI	CCT ³	Driver ^{4,5}	Cover	Beam	Trim Finish	Housing ⁵	Options
WG-40RPTA	RBT RPT TT ¹	M	92	27 30 35 40 WD	S1* S2* SPH* D010* PEQ0* DALI*	OA	20 25 35 50	W (std) B S F	NC LP IC CP X ⁶	HL MPL EM

*Add 'R' for remote driver, ex. 'RS2'

Luminaire

- Part of a complete family of 1.5" aperture matching downlights.
- General illumination allows 6' spacing on 9' ceiling height for 15+FC maintained.
- Very small aperture, low brightness downlight for general and accent illumination.
- High lumen output and excellent color rendition for all applications.
- Multiple housing styles for mounting into all ceiling types.
- Very shallow ceiling depth required for both integral and remote drivers.
- L70 (TM21 Projected 85°C) = Static White 33,300 hours Warm Dim 55,000 hours.

Fixation

- RPT = Recessed Plaster Trim
- RBT = Recessed Bezel Trim
- TT = Twin Trim¹

Power²

- M = Mid Power, 9.1W @ 500mA

CRI

- 92 = 92 CRI

CCT (Mid)³

- 27 = 2700K
- 30 = 3000K
- 35 = 3500K
- 40 = 4000K
- WD = Warm Dimming 1800 - 3000K

Integral Driver NC / IC / CP Housings

Accessible Ceiling^{4,5}

- S1 = standard eidoLED non-dim or 1% 0-10V dimming, 120-277V, 12W
- S2 = standard eidoLED non-dim or 1% 0-10V dimming, 120-277V, 22W
- SPH = standard phase (2-wire) 10% dimming, 120V only, 12W
- D010 = eidoLED 1% 0-10V dimming, 120-277V, 30W
- PEQ0 = Lutron Hi-Lume Premier 0.1% EcoSystem, 120-277V, 20W
- DALI = eidoLED DALI-2 0.1% dimming, 120-277V, 20W

Remote Driver for NC / LP / IC / CP^{4,5}

- RS1 = standard eidoLED non-dim or 1% 0-10V dimming, 120-277V, 12W, for 1 fixture
- RS2 = standard eidoLED non-dim or 1% 0-10V dimming, 120-277V, 22W, for 1-2 fixtures
- RSPH = standard phase (2-wire) 10% dimming, 120V only, 12W, for 1 fixture
- RD010 = eidoLED 0.1% 0-10V dimming, 120-277V, 100W, for 1-8 fixtures
- RPEQ0 = Lutron Hi-Lume Premier 0.1% EcoSystem, 120-277V, 20W, for 1-2 fixtures
- RDALI = eidoLED DALI-2 0.1% dimming, 120-277V, 100W, for 1-4 fixtures

Cover

- OA = Open Aperture

Beam

- 20 = 20° Beam Angle
- 25 = 25° Beam Angle
- 35 = 35° Beam Angle
- 50 = 50° Beam Angle

Trim Finish

- W = White, 15% gloss, RAL 9003 / Tiger Drylac 49/11350 (standard)
- B = Black, 15% gloss, RAL 9005 / Tiger Drylac 044/90053
- S = Silver, 15% gloss, RAL 9006 / Tiger Drylac 49/90500
- F = Custom finish, specify RAL code

Housing⁵

- NC = New Construction Housing (integral driver for accessible ceilings only)
- LP = Landing Pan (for remote driver)
- IC = Insulated Ceiling Housing (integral driver for accessible ceilings only)
- CP = Chicago Plenum Housing (integral driver for accessible ceilings only)
- X = No Housing⁶

Options

- HL = Honeycomb louver
- MPL = Micro-prismatic lens
- EM = Emergency LED battery backup (remote only)

Whitegoods reserves the right to change any information without prior notice.

Notes

1. TT Twin Trim will be provided with (2) matching fixtures, unless specified otherwise.
2. Wattage shown is for LED only, system wattage varies depending on driver selected.
3. See photometric data sheet for delivered lumens.
4. See driver information for details.
5. Refer to Housings detail page for additional information.
6. Fixture can be installed without housing.