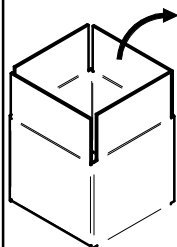


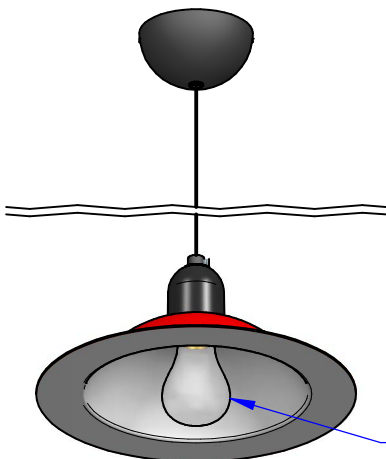


## LAMPIATTA PENDANT FAMILY

Ø11": E8983, E8984, E8985, E8981, E8982  
 Ø20": E8987, E8988, E8989, E8990, E8991



- E8981
- E8982
- E8983
- E8984
- E8985



- E8987
- E8988
- E8989
- E8990
- E8991

### Classic A Retrofit



LED Bulb  
 7 W 806 lm  
 2700 K CRI<sub>≥</sub>80

**NOT INCLUDED**

LED BULB NOT INCLUDED



**WARNING:**

INSTALL PRODUCT IN ACCORDANCE WITH LOCAL AND NATIONAL ELECTRICAL CODES BY A QUALIFIED ELECTRICIAN



**WARNING:**

FAILURE TO COMPLY WITH THE INSTALLATION INSTRUCTIONS MAY RESULT IN DEATH OR SEVERE INJURY.



**WARNING:**

READ ALL SAFETY INSTRUCTIONS INCLUDED WITH LUMINAIRE BEFORE INSTALLING LUMINAIRE. SAVE INSTRUCTIONS FOR FUTURE USE.

**CAUTION:**

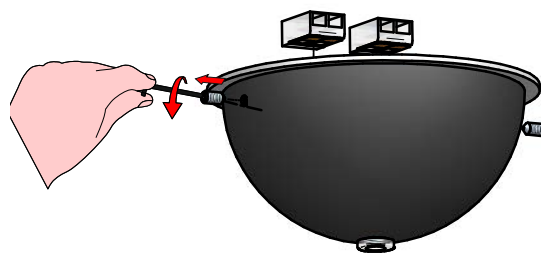
THIS IS AN ELECTRONIC DEVICE. CARE MUST BE TAKEN DURING STORAGE AND HANDLING. STORE IN A CLEAN, COOL AND DRY LOCATION. ELECTROSTATIC DISCHARGE (ESD) CAN HARM THIS PRODUCT. AVOID STATIC DISCHARGE WHILE HANDLING THIS PRODUCT.

**CAUTION:**

INTER-LUX IS NOT RESPONSIBLE FOR THE STRUCTURAL INTEGRITY OF THE BUILDING TO SUPPORT THE LUMINAIRE. ADDITIONAL BACKING MAY BE REQUIRED.

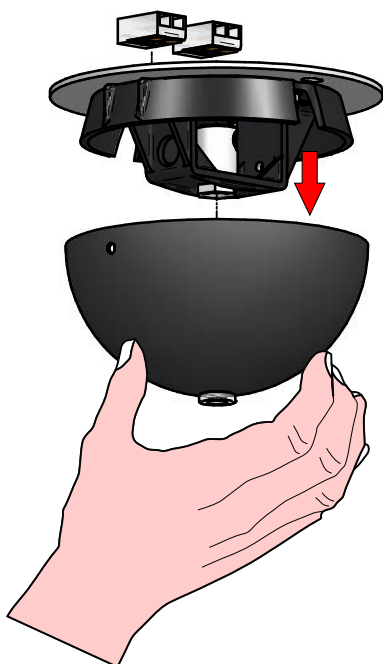
## INSTALLATION INSTRUCTIONS

1

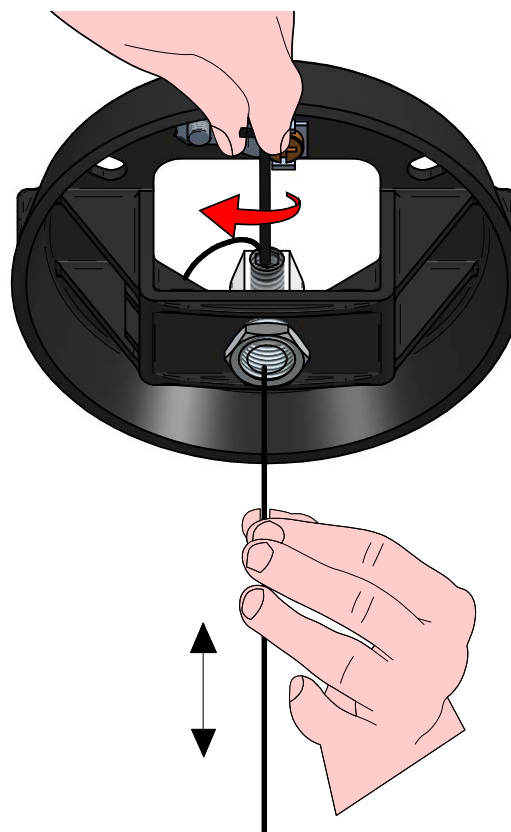


LOCATE AND REVIEW ANY CONSTRUCTION PLANS AND INTER-LUX RECORD DRAWINGS FOR ALL FIXTURE RUNS. IT IS RECOMMENDED TO LOCARE AND LAY OUT ALL COMPONENTS FOR EACH FIXTURE "RUN". A FIXTURE RUN TYPICALLY CONSISTS OF JOINERS, LENGHTS OF HOUSING, AND ENDCAPS. BE SURE TO IDENTIFY ALL CORRECT LENGHTS FOR EACH FIXTURE RUN.

2



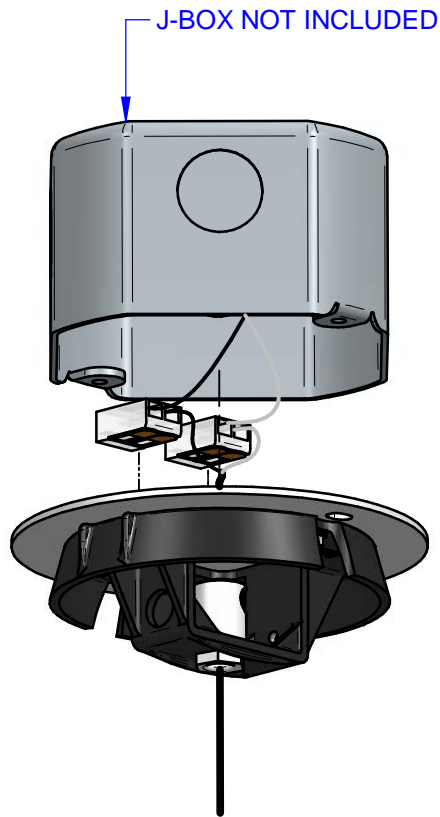
3



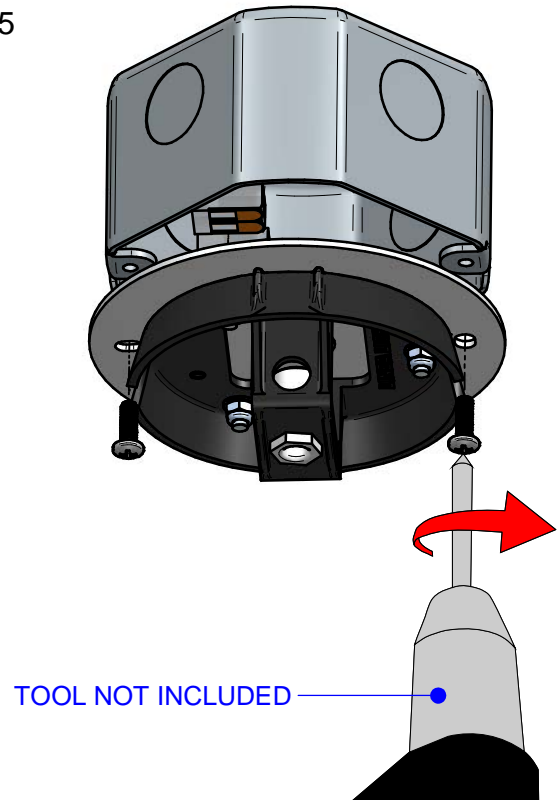


LAMPIATTA PENDANT FAMILY  
Ø11": E8983, E8984, E8985, E8981, E8982  
Ø20": E8987, E8988, E8989, E8990, E8991

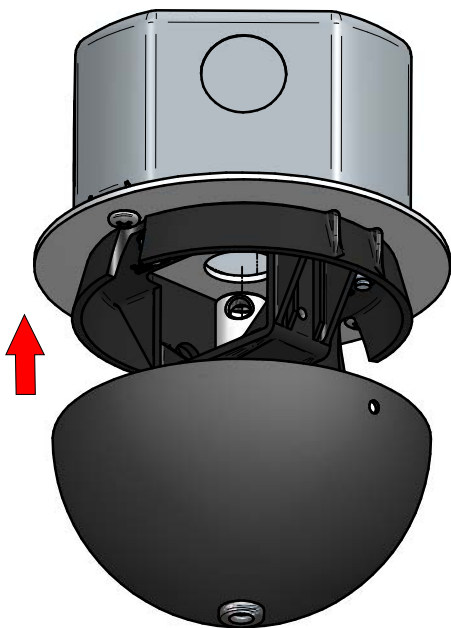
4



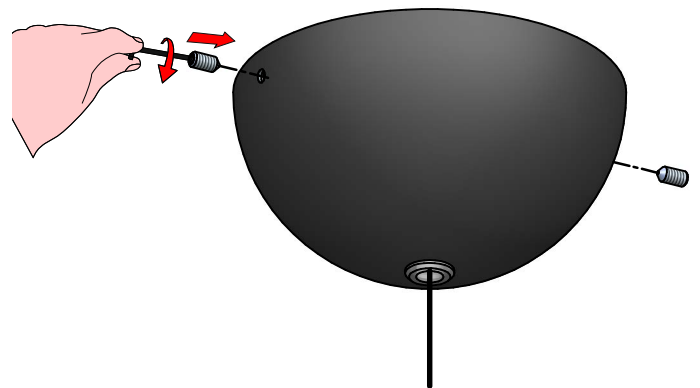
5



6



7



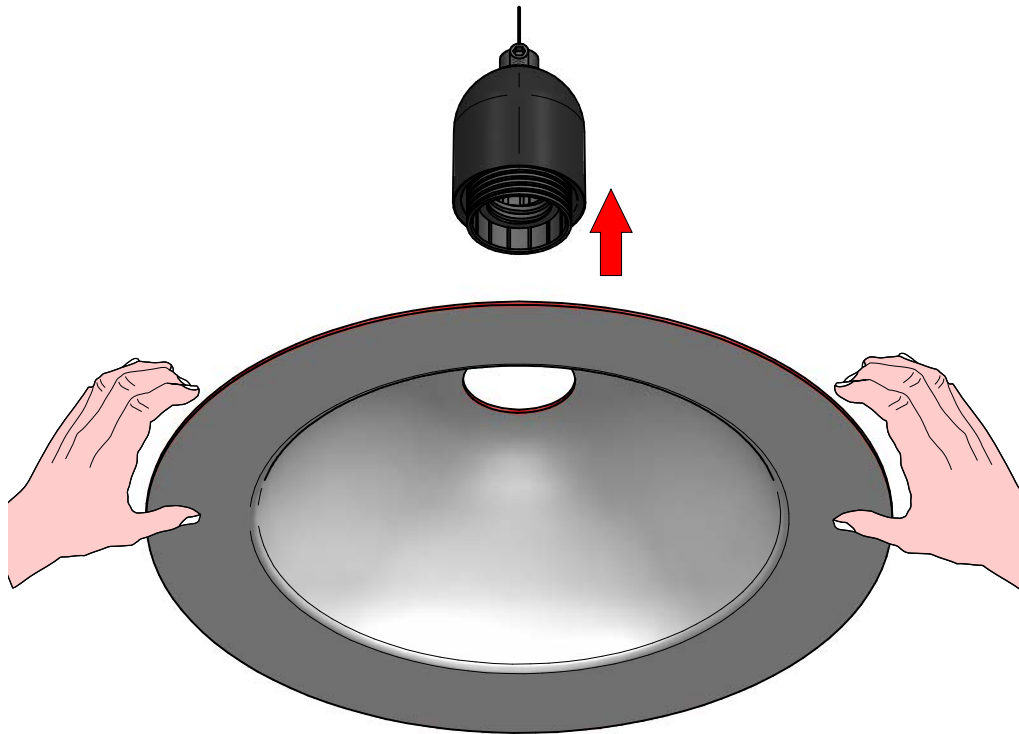


## LAMPIATTA PENDANT FAMILY

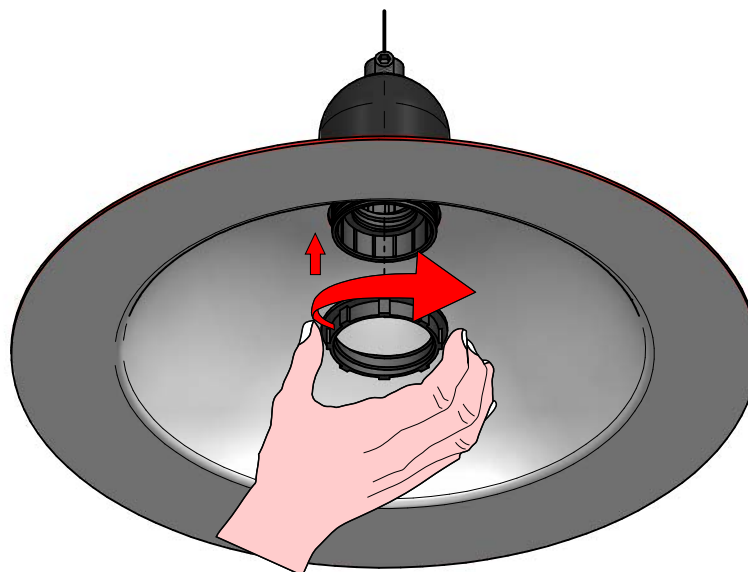
Ø11": E8983, E8984, E8985, E8981, E8982

Ø20": E8987, E8988, E8989, E8990, E8991

8



9



THIS PRODUCT MUST BE INSTALLED IN ACCORDANCE WITH THE APPLICABLE INSTALLATION CODE BY A PERSON FAMILIAR WITH THE CONSTRUCTION AND OPERATION OF THE PRODUCT AND THE HAZARDS INVOLVED

MOUNTING INSTRUCTIONS

READ ALL OF THESE INSTRUCTIONS BEFORE INSTALLING FIXTURES

- Keep all of the instructions for future reference
- Turn off power before installing fixture
- Installation is to be performed by a qualified electrician only
- All installations must conform to the National Electrical Code as well as all local jurisdictional codes and regulations
- Any modification of the luminaire will void any and all written or implied warranties
- The manufacture accepts no responsibility for damage to persons or property arising through improper use or installation

LAMPIATTA PENDANT FAMILY  
Ø11": E8983, E8984, E8985, E8981, E8982  
Ø20": E8987, E8988, E8989, E8990, E8991**SPARE PARTS**

Reference	Code	Description
1	R3956-5	Grano

