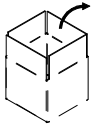




ORMA SQUARE



ORMA SQUARE
TRIMLESS FLUSH

MINI



+

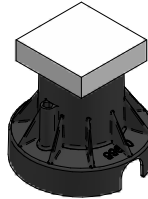


E-C100001

SMALL

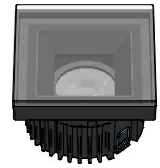


+

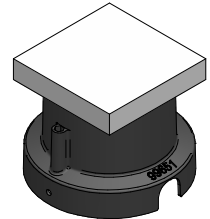


E-C100002

MEDIUM



+

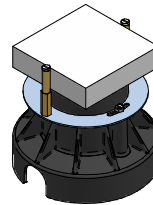


E-C100003

ORMA SQUARE
SEMI-FLUSH TRIM



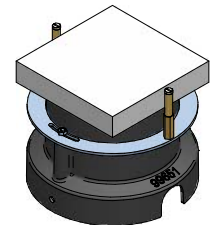
+



E83411



+



E83410



WARNING:

INSTALL PRODUCT IN ACCORDANCE WITH LOCAL AND NATIONAL ELECTRICAL CODES BY A QUALIFIED ELECTRICIAN



WARNING:

FAILURE TO COMPLY WITH THE INSTALLATION INSTRUCTIONS MAY RESULT IN DEATH OR SEVERE INJURY.



WARNING:

READ ALL SAFETY INSTRUCTIONS INCLUDED WITH LUMINAIRE BEFORE INSTALLING LUMINAIRE. SAVE INSTRUCTIONS FOR FUTURE USE.

CAUTION:

THIS IS AN ELECTRONIC DEVICE. CARE MUST BE TAKEN DURING STORAGE AND HANDLING. STORE IN A CLEAN, COOL AND DRY LOCATION. ELECTROSTATIC DISCHARGE (ESD) CAN HARM THIS PRODUCT. AVOID STATIC DISCHARGE WHILE HANDLING THIS PRODUCT.

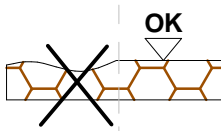
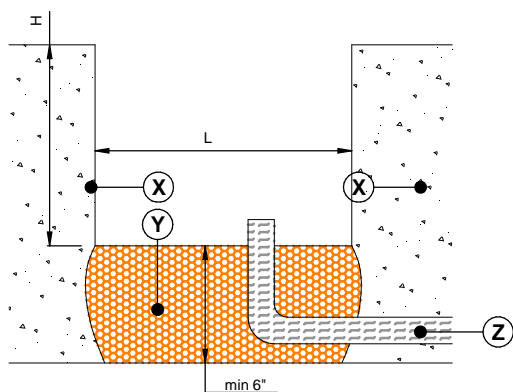
CAUTION:

INTER-LUX IS NOT RESPONSIBLE FOR THE STRUCTURAL INTEGRITY OF THE BUILDING TO SUPPORT THE LUMINAIRE. ADDITIONAL BACKING MAY BE REQUIRED.

LOCATE AND REVIEW ANY CONSTRUCTION PLANS AND INTER-LUX RECORD DRAWINGS FOR ALL FIXTURE RUNS. IT IS RECOMMENDED TO LOCARE AND LAY OUT ALL COMPONENTS FOR EACH FIXTURE "RUN". A FIXTURE RUN TYPICALLY CONSISTS OF JOINERS, LENGTHS OF HOUSING, AND ENDCAPS. BE SURE TO IDENTIFY ALL CORRECT LENGTHS FOR EACH FIXTURE RUN.

INSTALLATION INSTRUCTIONS

PREPARATION FOR CONCRETE HOUSING



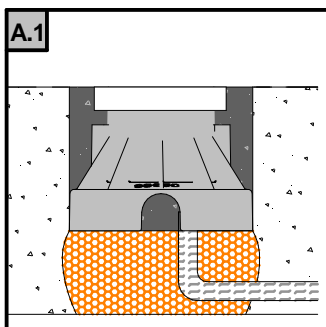
- (X) PRE-EXISTING CONCRETE FLOOR (NOT MANDATORY)
- (Y) DRAINAGE LAYER
- (Z) CONDUIT

ART.		MINI	SMALL	MEDIUM
ORMA SQUARE TRIMLESS FLUSH	L	2" 61/64	3" 13/16	4" 31/64
	H	3" 21/32	3" 21/32	3" 45/64
ORMA SQUARE SEMI-FLUSH TRIM	L		3" 21/32	4" 31/64
	H		3" 21/32	3" 45/64

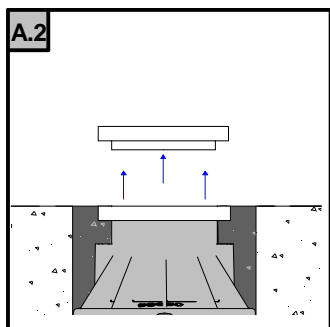
ATTENTION!!!

If a drainage layer is not feasible for any reason, please provide a drainage pipe.

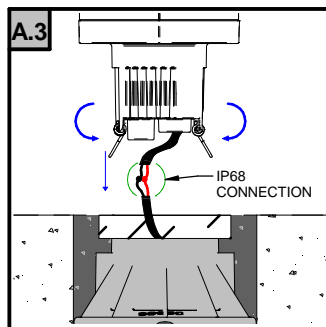
A) ORMA SQUARE TRIMLESS FLUSH (FIXED, ADJUSTABLE, FROSTED)



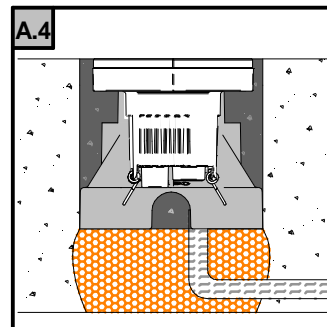
PLACE THE OUTER CASING INTO THE OPENING AND FILL THE GAP WITH CONCRETE (DARK GREY ZONE IN THE DRAWING)



ONCE THE CONCRETE HAS SET, REMOVE THE POLYSTYRENE CAP

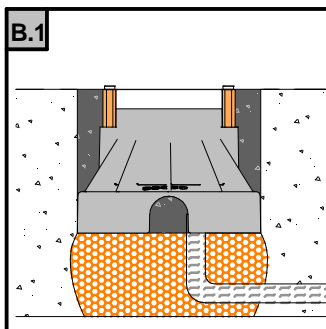


MAKE THE WIRINGS AS SHOWN IN THE WIRING DIAGRAM, OPEN THE SPRINGS AND INSERT THE FIXTURE INTO THE OUTER CASING

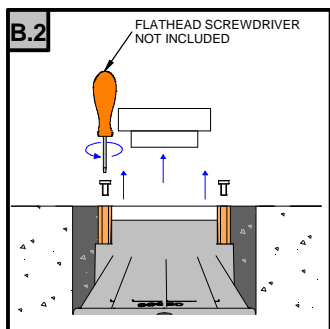


INSTALLATION COMPLETED

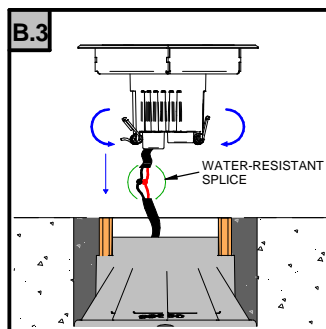
B) ORMA SQUARE SEMI-FLUSH TRIM (FIXED, ADJUSTABLE, FROSTED)



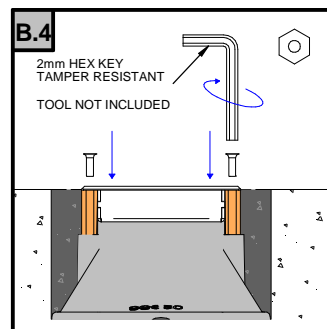
PLACE THE OUTER CASING INTO THE OPENING AND FILL THE GAP WITH CONCRETE (DARK GREY ZONE IN THE DRAWING)



ONCE THE CONCRETE HAS SET, REMOVE THE PLASTIC SCREWS AND THE POLYSTYRENE CAP.



MAKE THE WIRINGS AS SHOWN IN THE WIRING DIAGRAM, OPEN THE SPRINGS AND INSERT THE FIXTURE INTO THE OUTER CASING

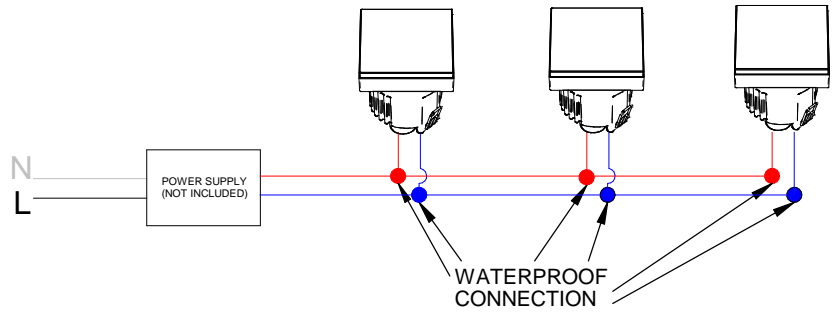
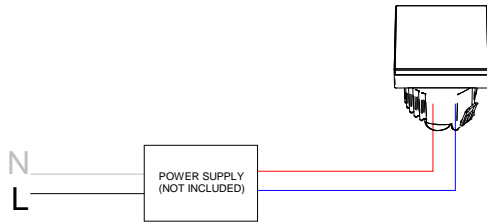


SECURE THE FLANGE WITH THE SCREWS TO COMPLETE THE INSTALLATION

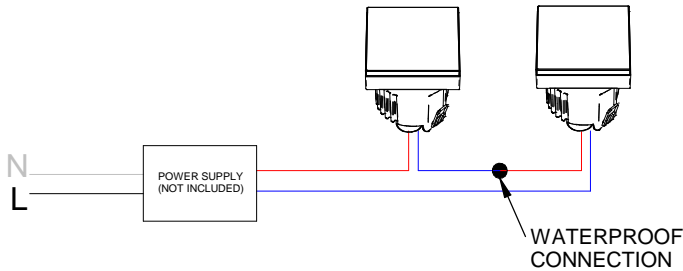
WIRING DIAGRAM

MULTIPLE ORMA FIXTURES WIRED IN PARALLEL (24V Constant Voltage)

SINGLE ORMA FIXTURE



MULTIPLE ORMA FIXTURES WIRED IN SERIES (Constant Current)



The number of fixtures on a single output will vary depending on the specific LED driver.

Refer to the specific wiring diagram on <https://www.inter-lux.com/wiring-diagrams/> and the Constant Current Fixtures per driver table.

ORMA Drive current level for each fixture:

2W fixture driven @ 600mA

4W fixture driven @ 350mA

8W fixture driven @ 220mA

ORMA Frosted Drive current level for each fixture:

1W fixture driven @ 350mA

1.5W fixture driven @ 500mA

4W fixture driven @ 350mA

Secondary Cable Colours	Pole
Red wire	+
Blue or black wire	-

THIS PRODUCT MUST BE INSTALLED IN ACCORDANCE WITH THE APPLICABLE INSTALLATION CODE BY A PERSON FAMILIAR WITH THE CONSTRUCTION AND OPERATION OF THE PRODUCT AND THE HAZARDS INVOLVED

MOUNTING INSTRUCTIONS

READ ALL OF THESE INSTRUCTIONS BEFORE INSTALLING FIXTURES

- CAUTION: USE ONLY WITH CLASS 2 POWER UNIT
- Keep all of the instructions for future reference
- Turn off power before installing fixture
- Installation is to be performed by a qualified electrician only
- All installations must conform to the National Electrical Code as well as all local jurisdictional codes and regulations
- Any modification of the luminaire will void any and all written or implied warranties
- The manufacture accepts no responsibility for damage to persons or property arising through improper use or installation

Constant Current Fixtures per Driver

mA	W	Max. number of fixtures PER OUTPUT (fixtures wired in series)	Max. total fixtures per ECO30W driver (1x output/driver)	Max. total fixtures per SOLO50W driver (2x outputs/driver)	Max. total fixtures per SOLO100W driver (4x outputs/driver)
180mA	7.0W	1	1	2	4
200mA	7.5W	1	1	2	4
220mA	0.6W	10	10	20	40
220mA	0.7W	10	10	20	40
220mA	1.9W	5	5	10	20
220mA	8.0W	1	1	2	4
220mA	9.0W	1	1	2	4
250mA	3.0W	3	3	6	12
300mA	12.0W	1	1	2	4
350mA	1.0W	10	10	20	40
350mA	1.5W	10	10	20	40
350mA	3.0W	5	5	10	20
350mA	4.0W	3	3	6	12
350mA	4.2W	3	3	6	12
350mA	12.0W	1	1	2	4
350mA	13.0W	1	1	2	4
400mA	15.0W	1	1	2	4
450mA	16.0W	1	1	2	4
500mA	1.5W	10	10	20	40
500mA	4.5W	4	4	8	16
500mA	6.0W	3	3	6	12
500mA	6.5W	3	3	4	8
500mA	9.0W	2	2	4	8
500mA	13.0W	1	1	2	4
500mA	14.0W	1	1	2	4
500mA	18.0W	1	1	2	4
500mA	20.0W	1	1	2	4
570mA	63.0W	-	-	-	1
580mA	20.0W	1	1	2	4
630mA	2.0W	10	10	16	32
630mA	2.0W	10	10	16	32
630mA	4.0W	6	6	10	20
630mA	6.0W	3	3	6	12
630mA	7.0W	3	3	4	8
630mA	7.2W	3	3	4	8
630mA	7.5W	3	3	4	8
630mA	8.0W	3	3	4	8
630mA	9.0W	2	2	4	8
630mA	12.0W	2	2	2	4
630mA	18.0W	1	1	2	4
630mA	23.0W	1	1	1	3
630mA	24.0W	1	1	1	3
660mA	45.0W	-	-	-	1
700mA	2.0W	10	10	16	32
700mA	6.3W	3	3	6	12
700mA	6.5W	3	3	4	8
700mA	8.0W	3	3	4	8
700mA	13.0W	1	1	2	4
700mA	21.0W	1	1	1	3
700mA	24.0W	1	1	1	3
700mA	25.0W	-	-	1	3
800mA	10.0W	2	2	2	4
840mA	30.0W	-	-	1	2
850mA	60.0W	-	-	-	1
900mA	33.0W	-	-	1	2
900mA	40.0W	-	-	1	2
900mA	42.0W	-	-	1	2
950mA	34.0W	-	-	1	2
950mA	35.0W	-	-	1	2
1050mA	48.0W	-	-	-	1
1250mA	45.0W	-	-	-	1
1250mA	46.0W	-	-	-	1
1300mA	46.0W	-	-	-	1
1850mA	54.0W	-	-	-	1

Consult factory for any combination not listed above.