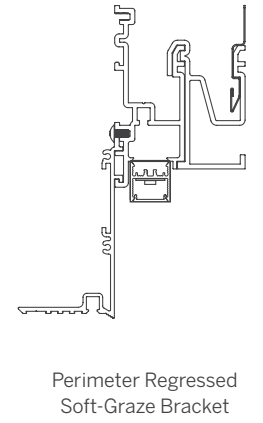
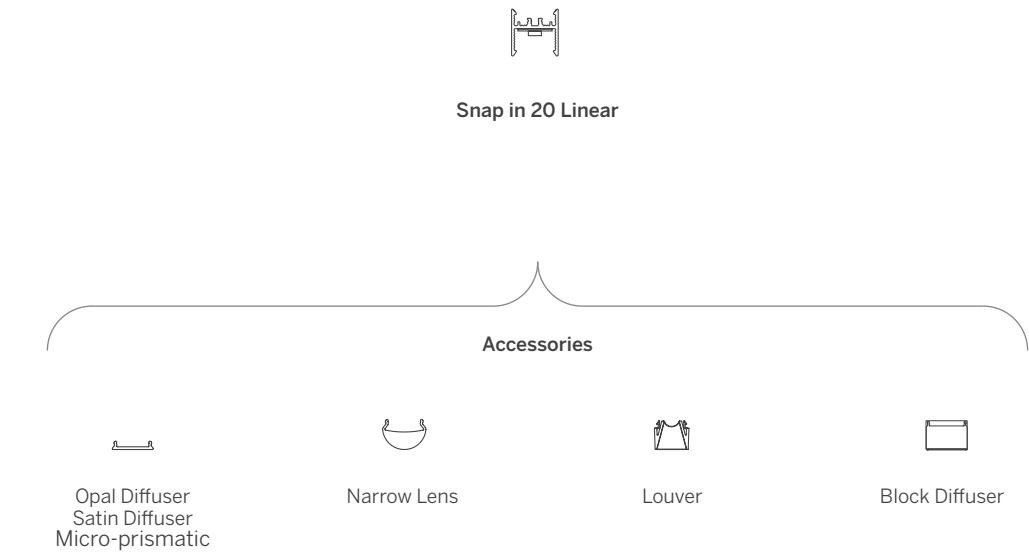
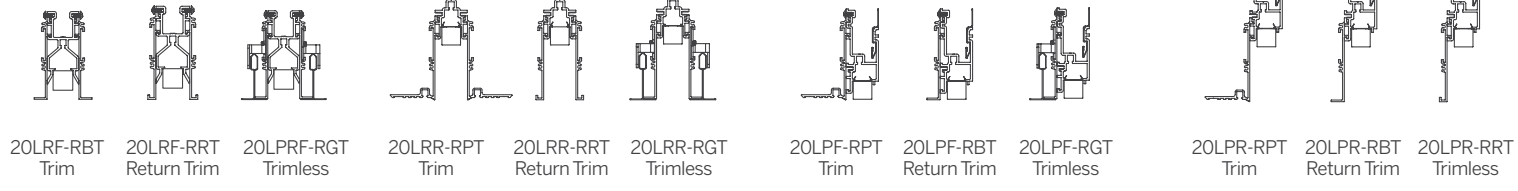
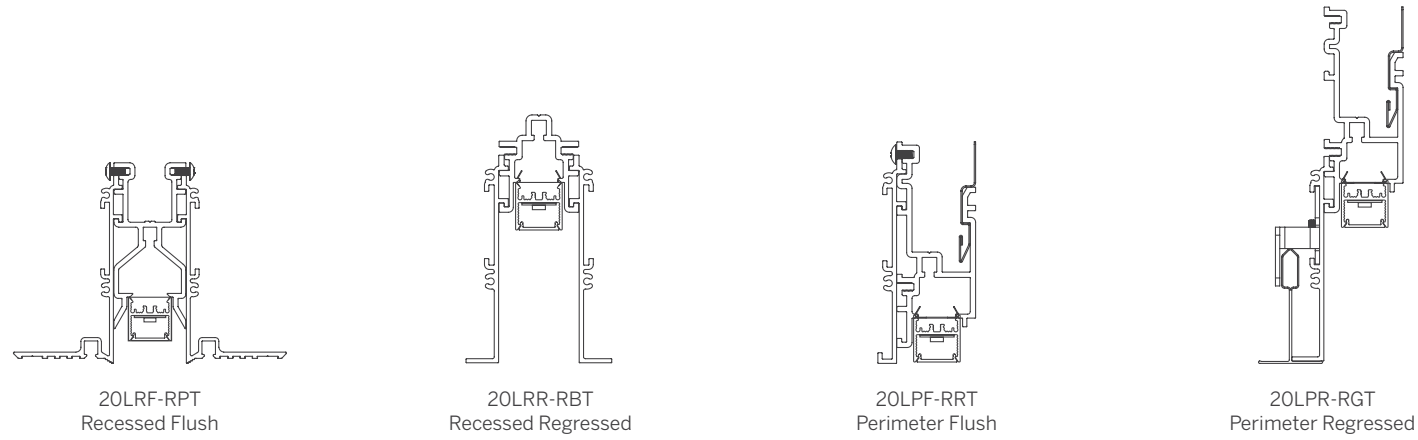
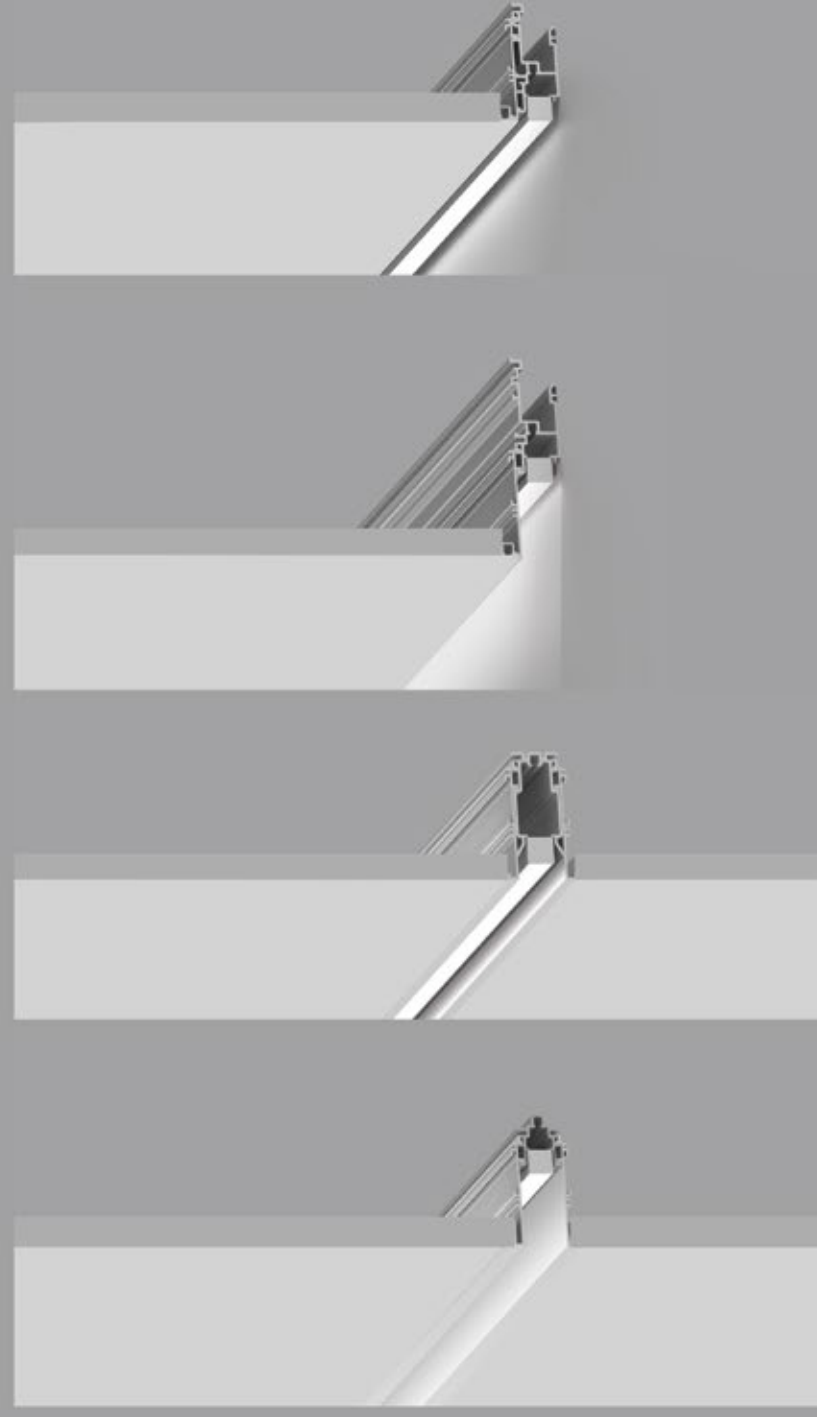


20 Linear Perimeter + Recessed



whitegoods

20 Linear Perimeter + Recessed



inter•lux
inter-lux.com/whitegoods

inter•lux

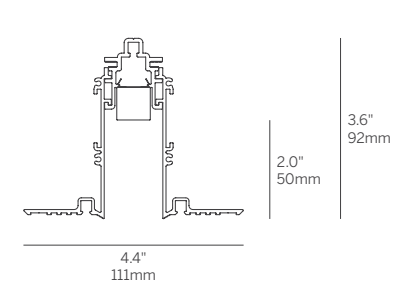
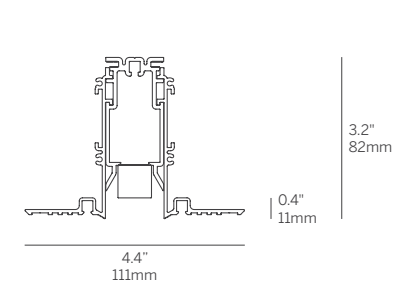
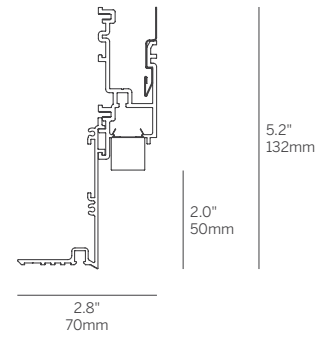
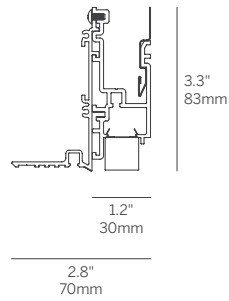
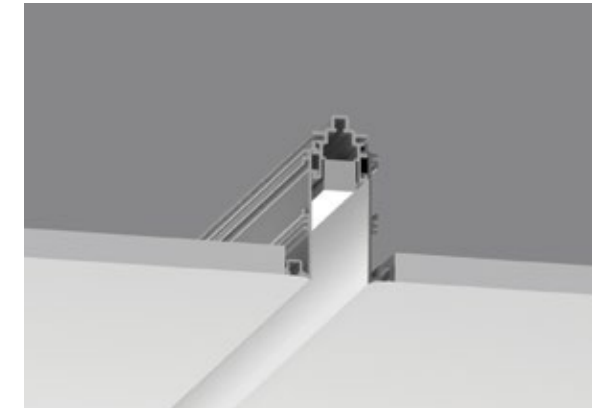
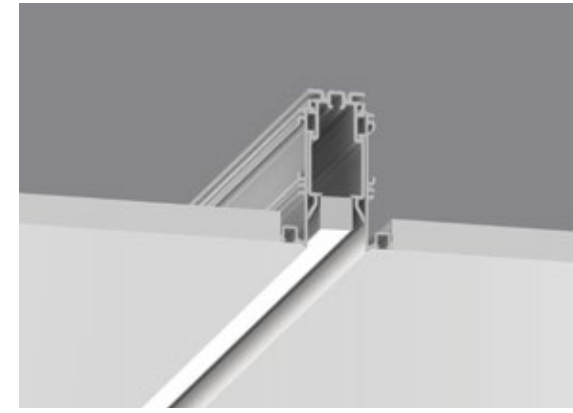
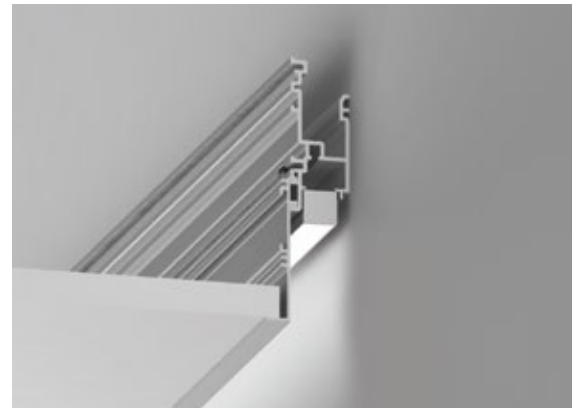
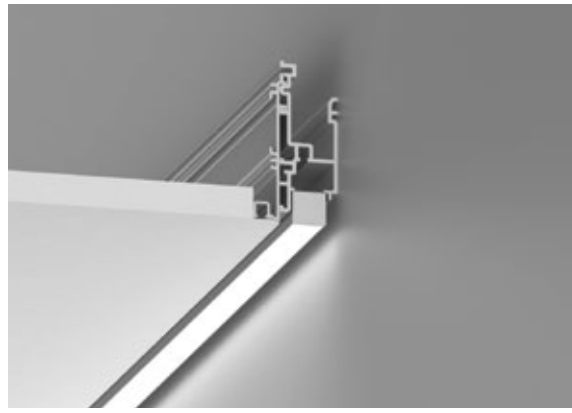
20 Linear Perimeter Flush

20 Linear Perimeter Regressed

20 Linear Recessed Flush

20 Linear Recessed Regressed

Housing



Optics

Opal/Satin Diffuser / Micro-prismatic lens (Flush/Regressed)



Continuous, evenly illuminated snap-in lens

- Standard Opal Diffuser for even illumination and no LED appearance.
- Satin Diffuser for high efficiency and minimal LED appearance.
- Micro-prismatic lens provides lower brightness, general illumination.

Louver (Regressed only)



Accurate beam control delivering a soft edged narrow linear beam

- 16° axially symmetrical linear beam.
- 'Clean' beam spread free from striations.
- End to end mounting gives uninterrupted lighting effect.

Narrow Lens (Regressed only)



Glare control louver for complete shielding of light-source

- Cross blade louver with integrated blade holographic film.
- Exact 45° cut-off.
- Available in 4.72" (120mm) increments.
- End to end mounting gives uninterrupted lighting effect.
- Black, white or transparent frost finish.

Opal/Satin Diffuser / Micro-prismatic lens (Flush/Regressed)



Continuous, evenly illuminated snap-in lens

- Standard Opal Diffuser for even illumination and no LED appearance.
- Satin Diffuser for high efficiency and minimal LED appearance.
- Micro-prismatic lens provides lower brightness, general illumination.

Narrow Lens (Regressed only)



Accurate beam control delivering a soft edged narrow linear beam

- 16° axially symmetrical linear beam.
- 'Clean' beam spread free from striations.
- End to end mounting gives uninterrupted lighting effect.

Louver (Regressed only)



Glare control louver for complete shielding of light-source

- Cross blade louver with integrated blade holographic film.
- Exact 45° cut-off.
- Available in 4.72" (120mm) increments.
- End to end mounting gives uninterrupted lighting effect.
- Black, white or transparent frost finish.

Block Diffuser (Flush only)

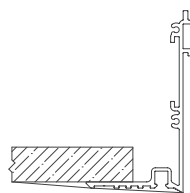


General illumination and decorative effect

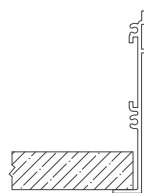
- Block Diffuser of satin acrylic provides general illumination and decorative effect.

Mounting

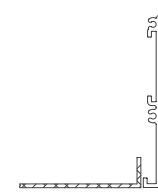
Plaster Trim



Bezel Trim



Return Trim



Grid Trim

