

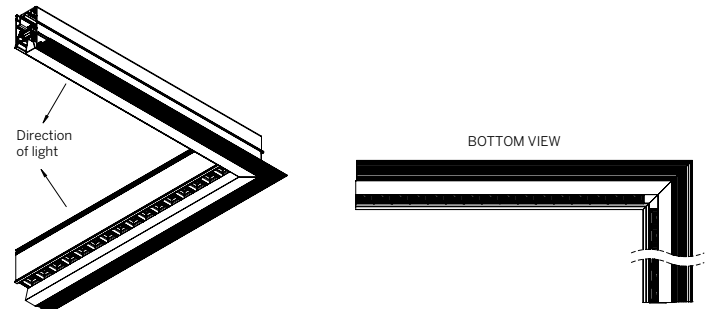
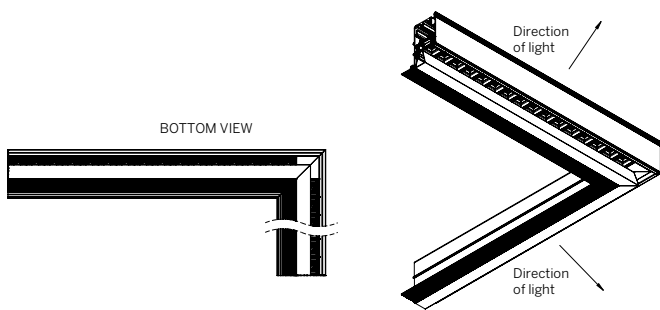
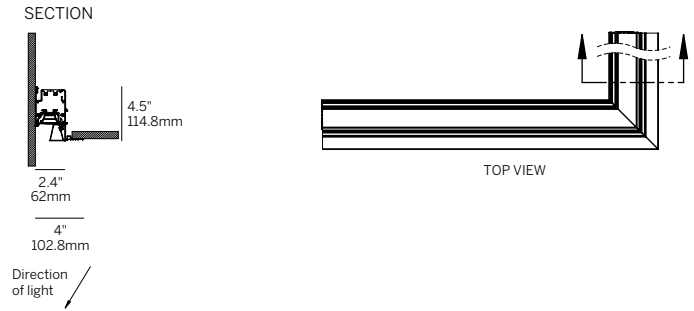
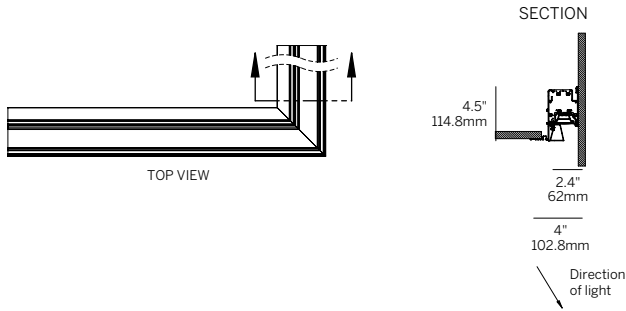
## PLASTER TRIM

### INSIDE CORNER (PI)

WG-60PTLWG-RPT-PI-RLW/RLB

### OUTSIDE CORNER (PO)

WG-60PTLWG-RPT-PO-RLW/RLB

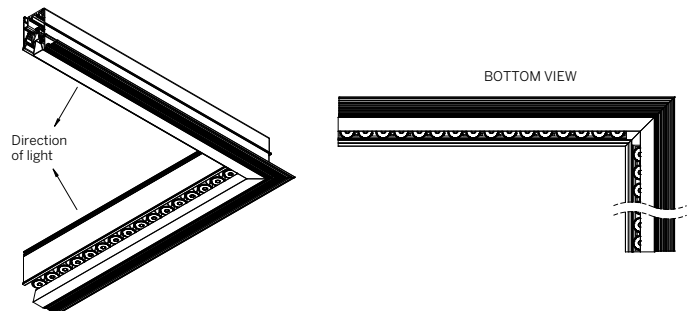
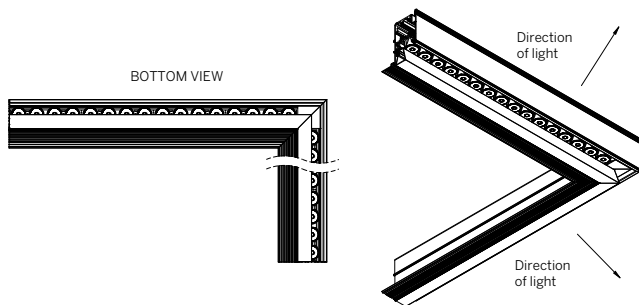
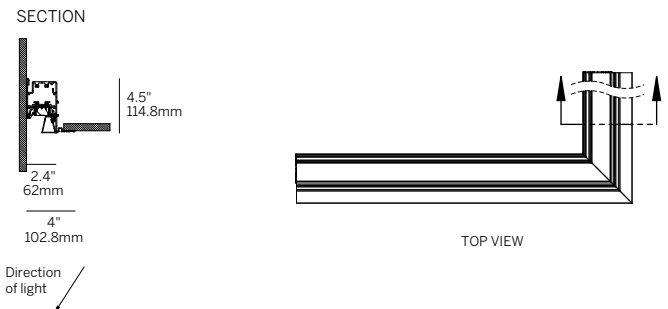
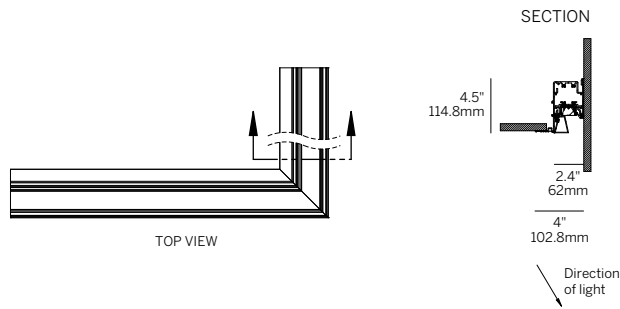


### INSIDE CORNER (PI)

WG-60PTLWG-RPT-PI-REO

### OUTSIDE CORNER (PO)

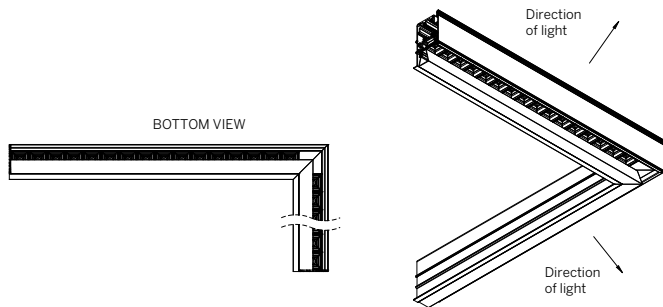
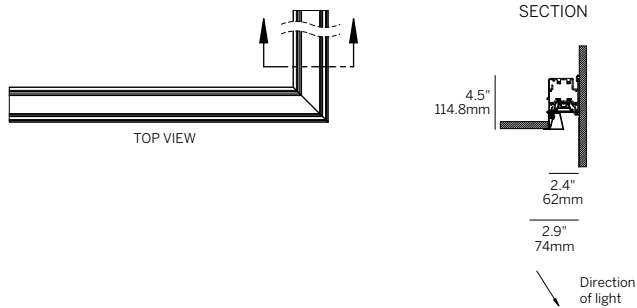
WG-60PTLWG-RPT-PO-REO



## BEZEL / GRID TRIM

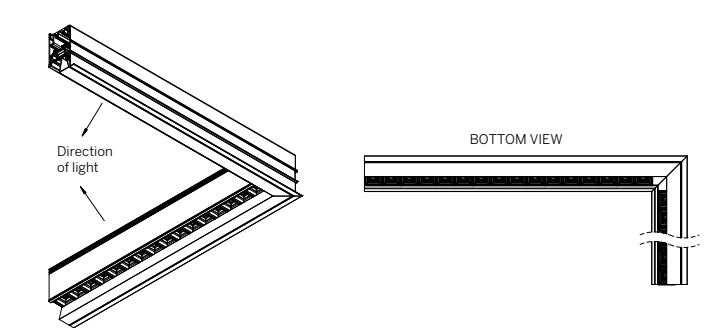
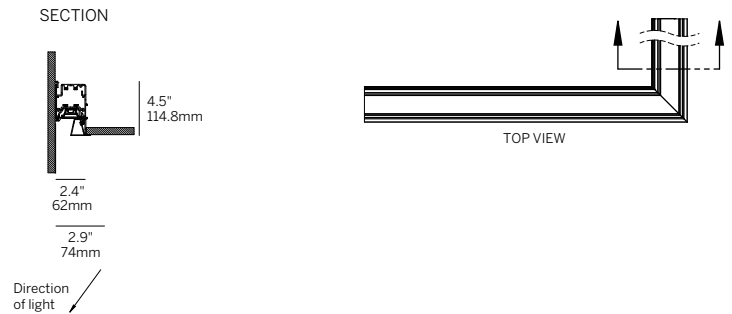
### INSIDE CORNER (PI)

WG-60PTLWG-[RBT / RGT9 / RGT15]-PI-RLB/RLW



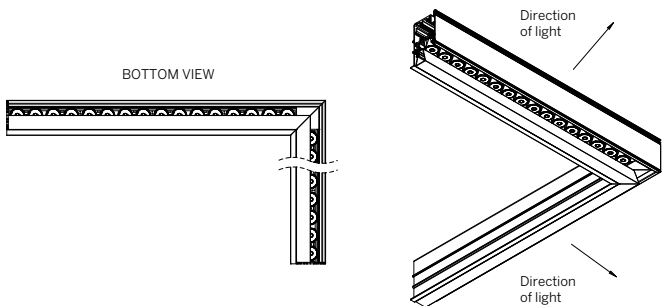
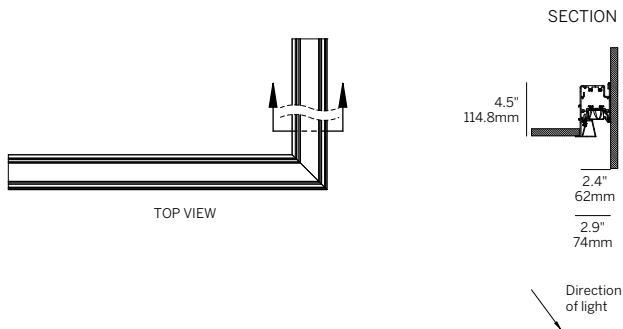
### OUTSIDE CORNER (PO)

WG-60PTLWG-[RBT / RGT9 / RGT15]-PO-RLB/RLW



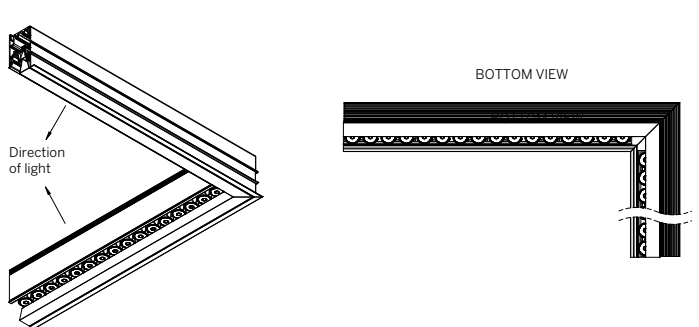
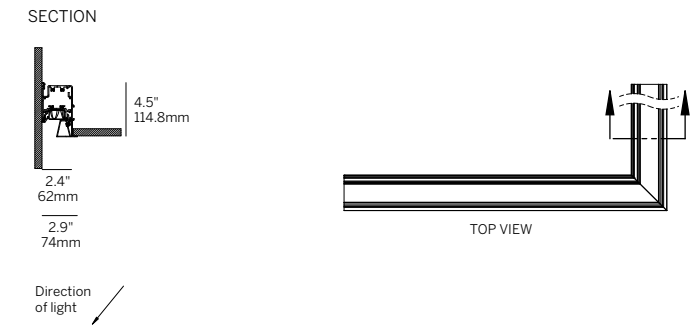
### INSIDE CORNER (PI)

WG-60PTLWG-[RBT / RGT9 / RGT15]-PI-REO

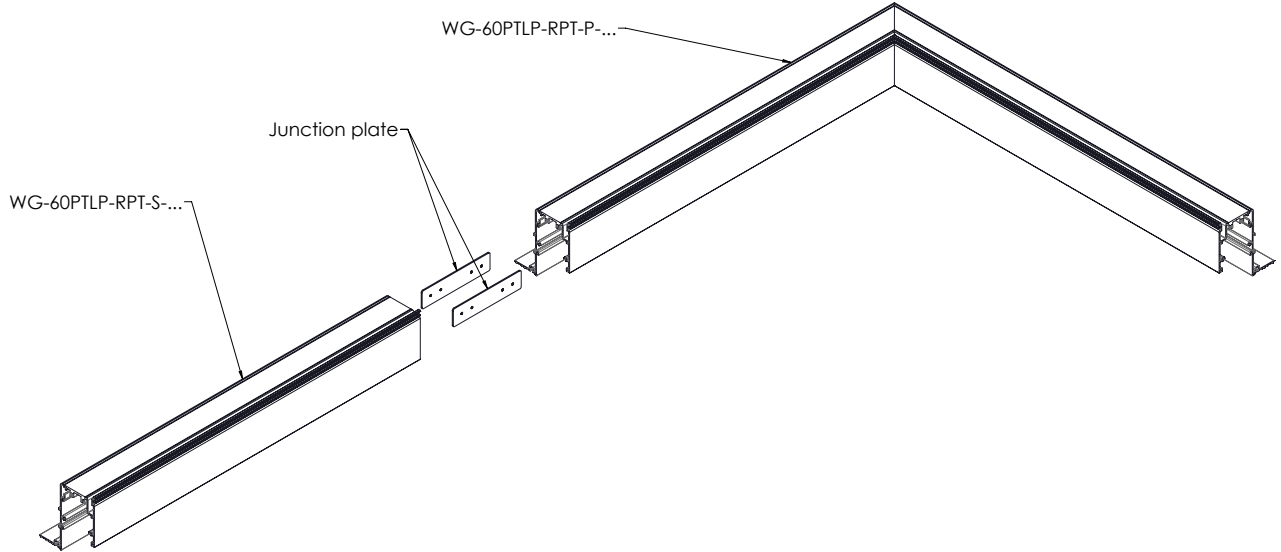


### OUTSIDE CORNER (PO)

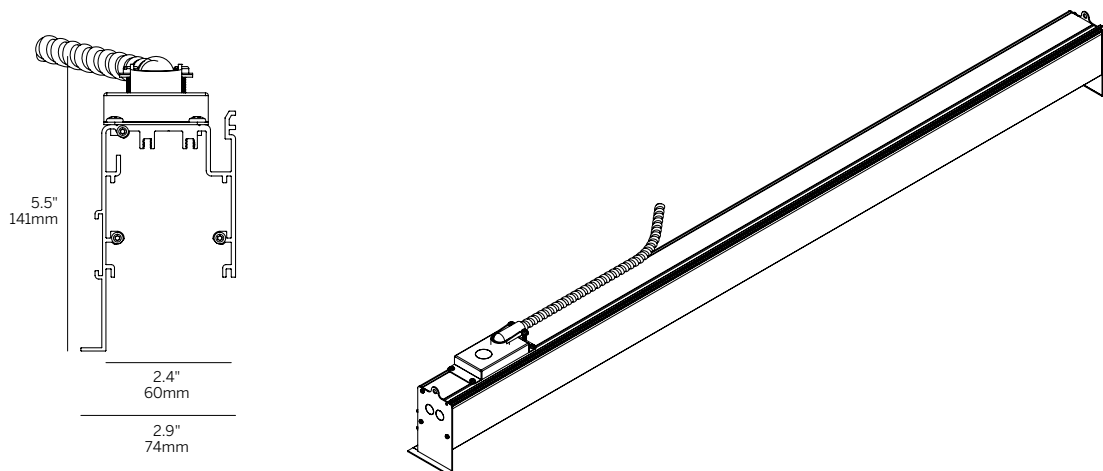
WG-60PTLWG-[RBT / RGT9 / RGT15]-PO-REO



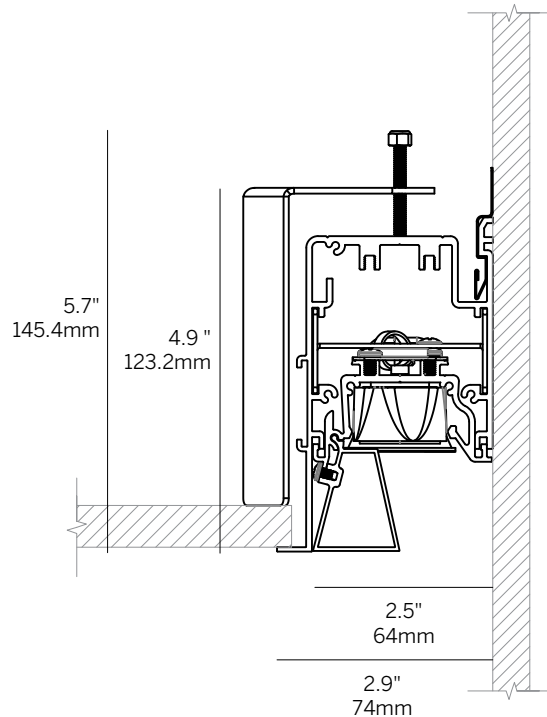
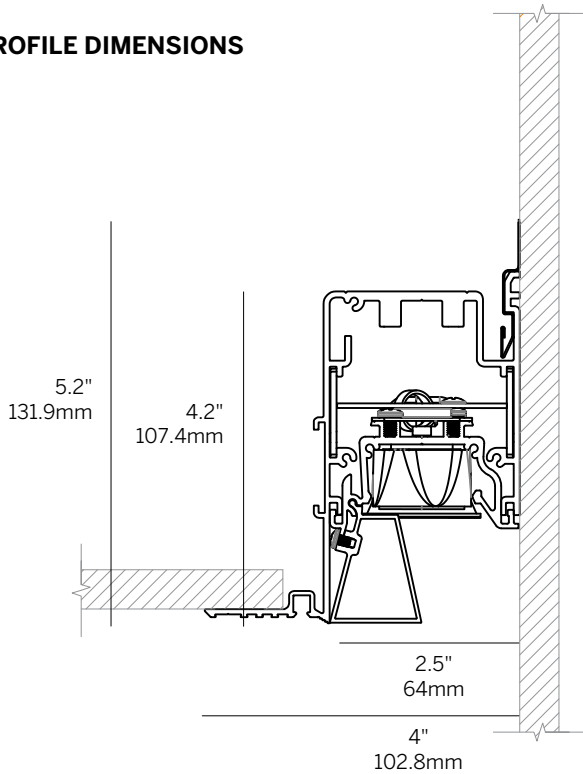
## CORNER + STRAIGHT RUN CONNECTIONS



## CHICAGO PLENUM

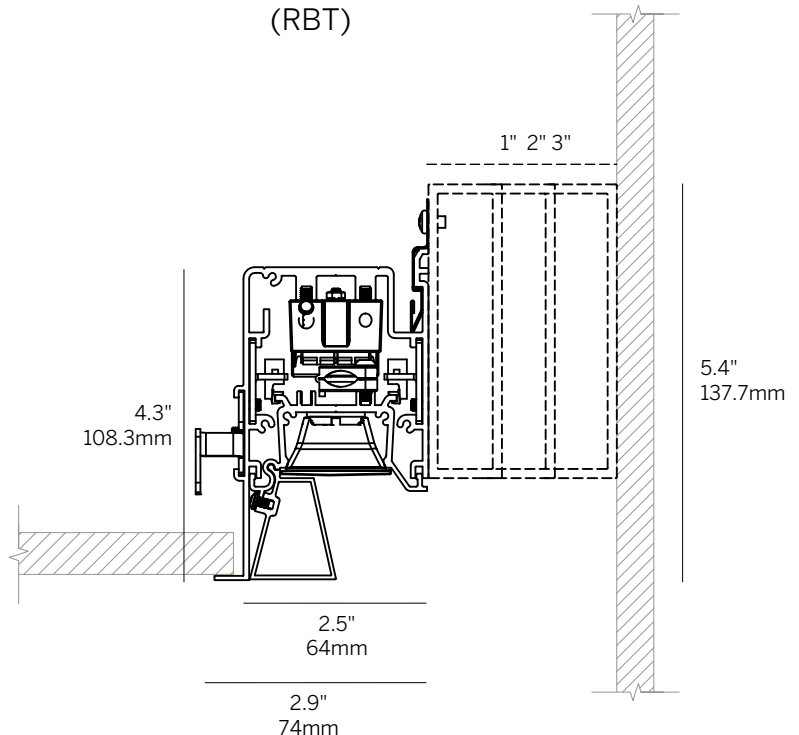
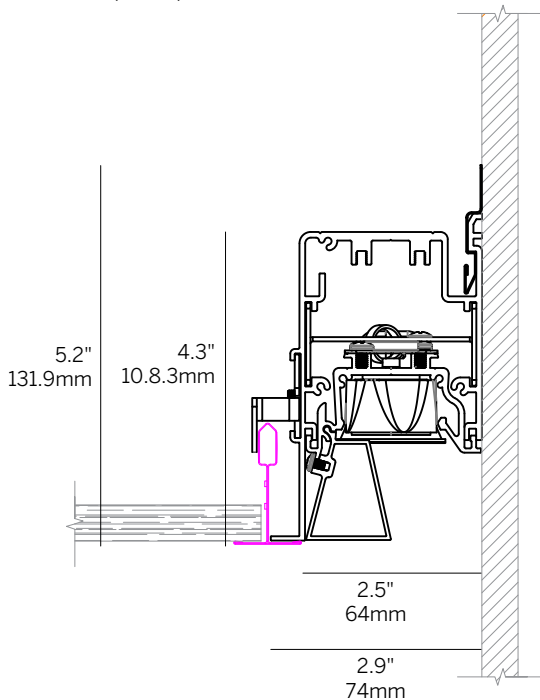


## PROFILE DIMENSIONS



Recessed Plaster Trim (RPT)

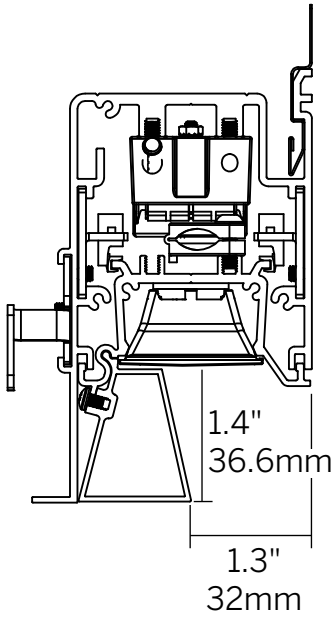
Recessed Bezel Trim (RBT)



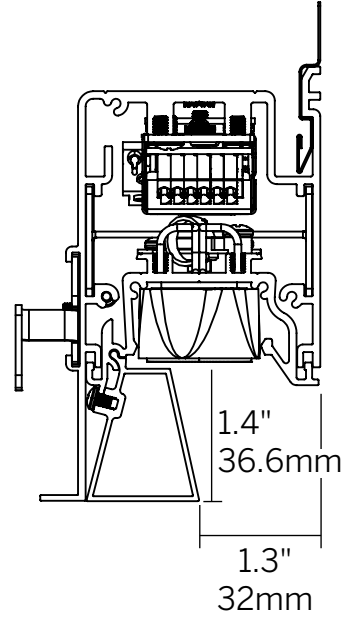
Recessed Grid Trim 9/16 (RGT9) / 15/16 (RGT15)

Soft Graze: 1" 2" 3" (SG1, SG2, SG3)

## LENS / LOUVER DIMENSIONS



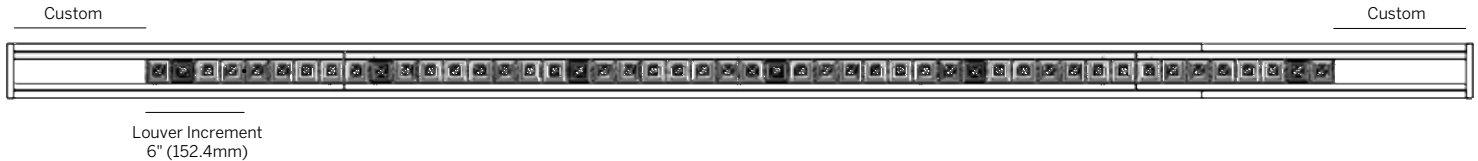
Recessed Louver  
(RLW, RLB + WG)



Recessed Elliptical Optic  
(REO + WG)

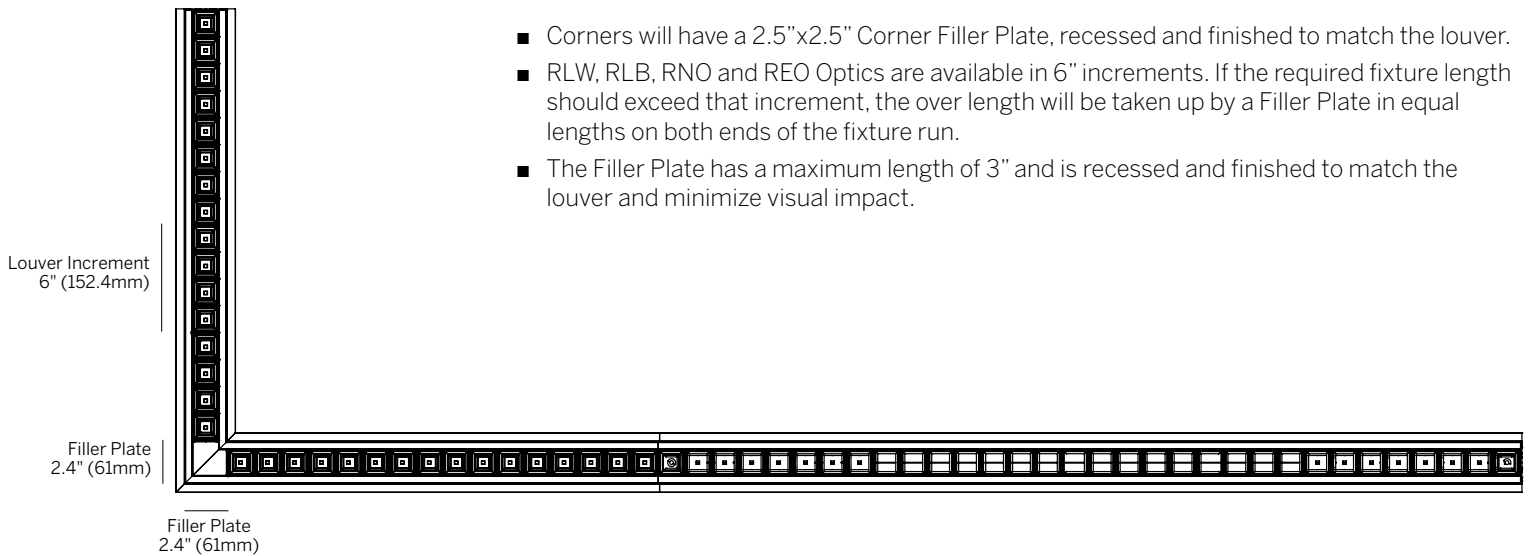
## FILLER PLATE STRAIGHT RUN / LOUVER

- RLW, RLB, RNO and REO Optics are available in 6" increments. If the required fixture length should exceed that increment, the over length will be taken up by a Filler Plate in equal lengths on both ends of the fixture run.
- The Filler Plate is recessed and finished to match the louver and minimize visual impact.



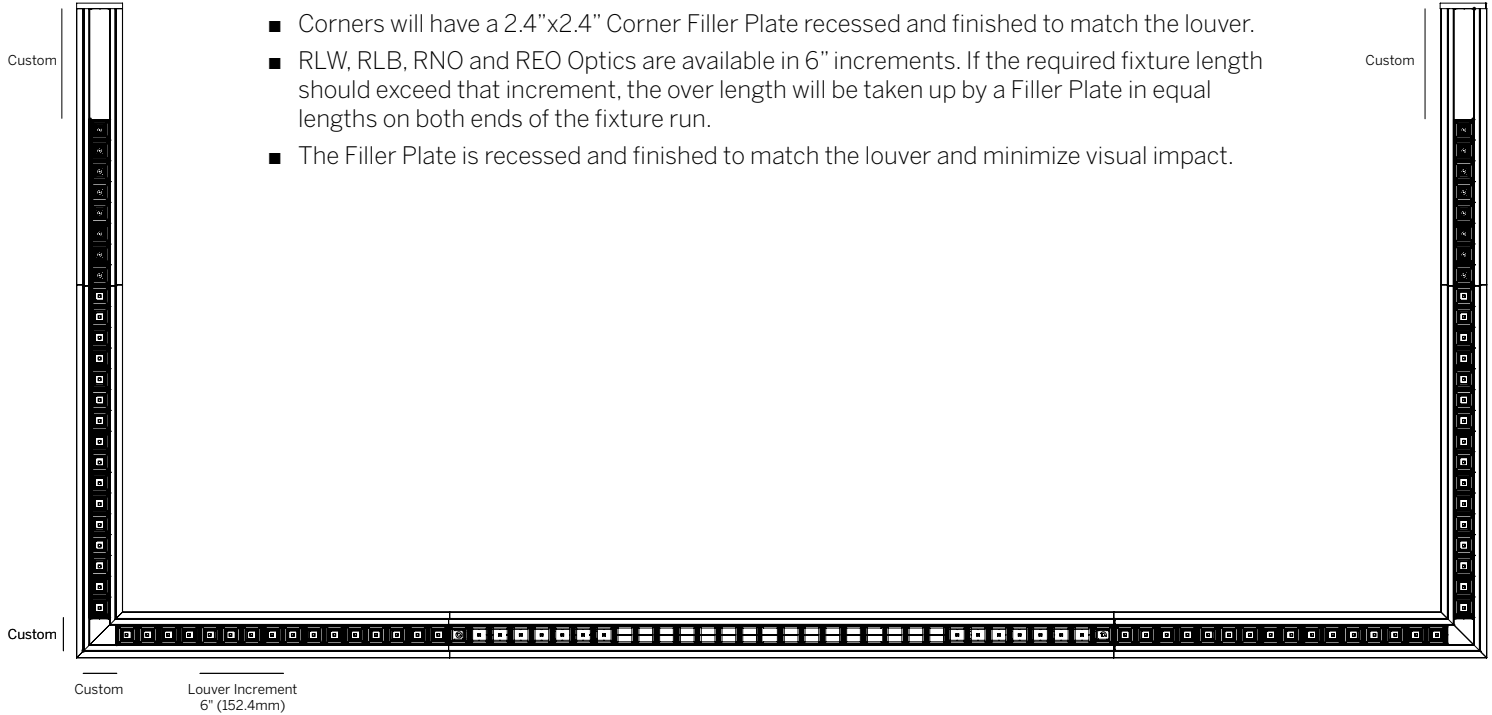
## FILLER PLATE CORNER CONFIGURATION / LOUVER

- Corners will have a 2.5"x2.5" Corner Filler Plate, recessed and finished to match the louver.
- RLW, RLB, RNO and REO Optics are available in 6" increments. If the required fixture length should exceed that increment, the over length will be taken up by a Filler Plate in equal lengths on both ends of the fixture run.
- The Filler Plate has a maximum length of 3" and is recessed and finished to match the louver and minimize visual impact.



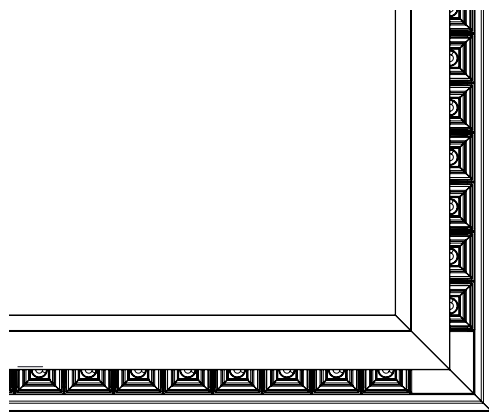
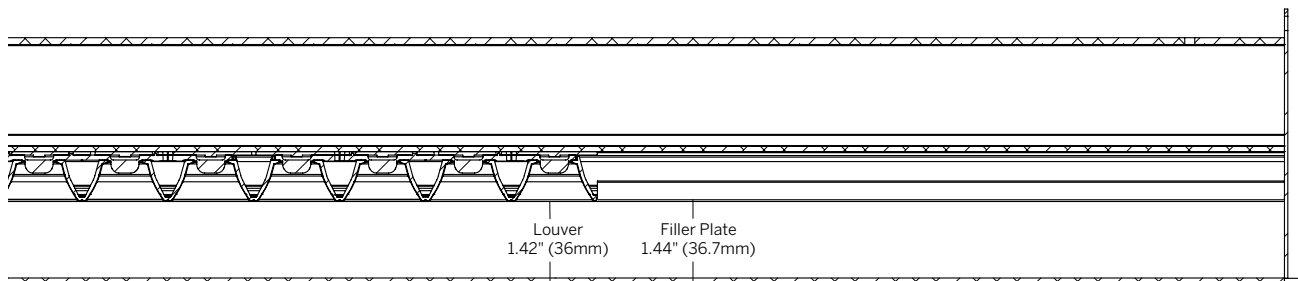
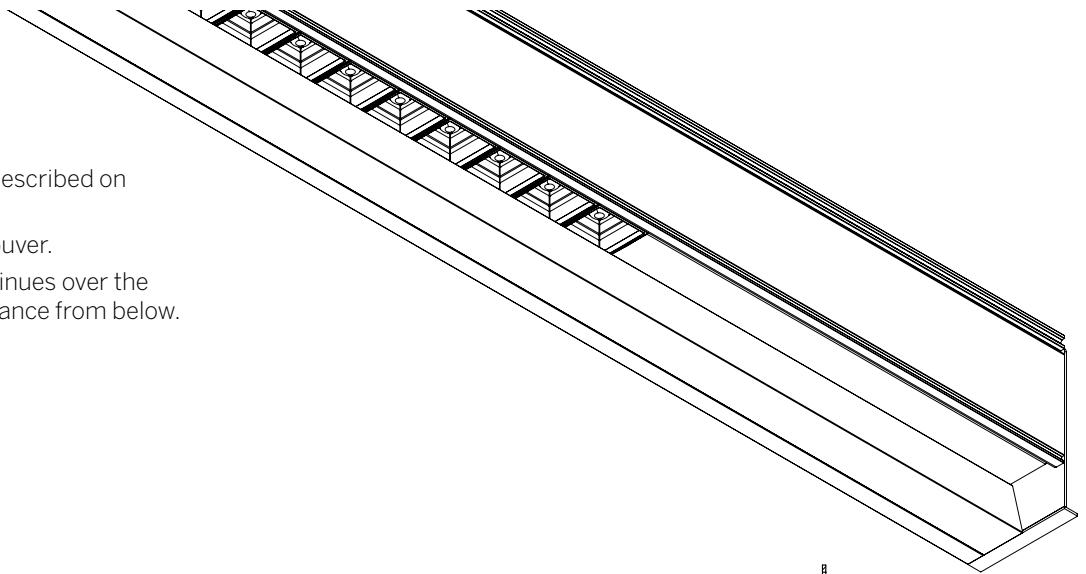
## FILLER PLATE MULTI-CORNER / LOUVER

- Corners will have a 2.4"x2.4" Corner Filler Plate recessed and finished to match the louver.
- RLW, RLB, RNO and REO Optics are available in 6" increments. If the required fixture length should exceed that increment, the over length will be taken up by a Filler Plate in equal lengths on both ends of the fixture run.
- The Filler Plate is recessed and finished to match the louver and minimize visual impact.

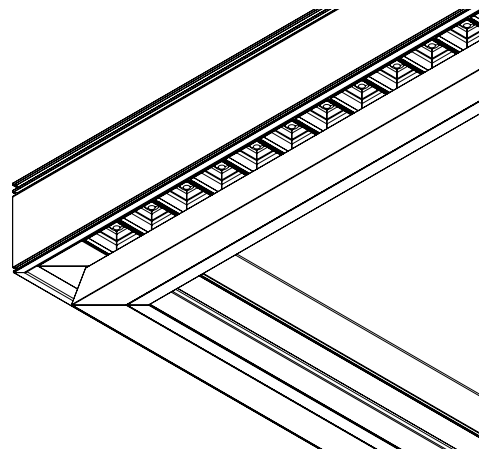


## FILLER PLATE WITH WALL WALL GRAZE KICKER

- Filler Plate is provided in conditions as described on preceding pages.
- Filler Plate is flush with RLW and RLB Louver.
- Wall Graze room side kick reflector continues over the Filler Plate to provide consistent appearance from below.



Corner Condition: Plan View



Corner Condition: Isometric