

# Emergency for Constant Voltage

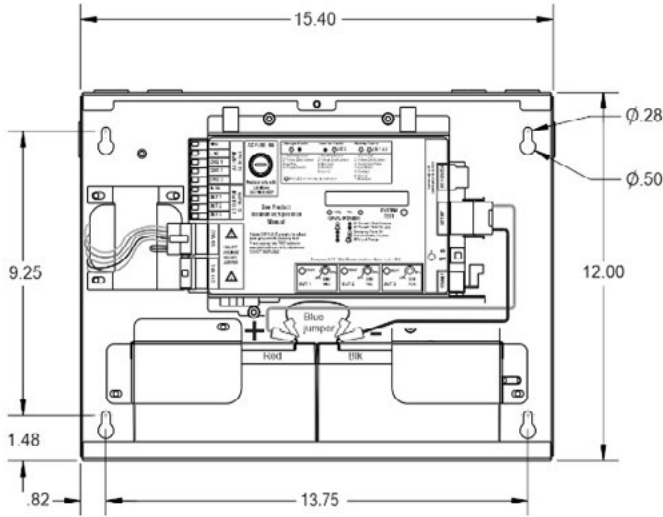
Ordering Part #s:

**EM-560-10025 (spec sheet link):** Isolite E3 Mini Inverter E3MINI-125-LC-MB, 125VA, Field-selectable 120/277V, lead calcium battery, back mount. UL924. 90 minute EM Operation. 20-30°C Operating Temp. Dimensions: (W) 15.4" x (H) 12" x (D) 4.23"

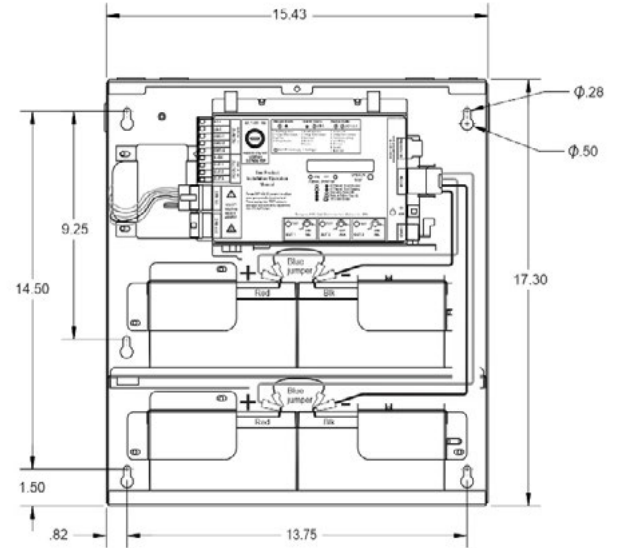
**EM-560-10026 (spec sheet link):** Isolite E3 Mini Inverter E3MINI-250-LC-MB, 250VA, Field-selectable 120/277V, lead calcium battery, back mount. UL924. 90 minute EM Operation. 20-30°C Operating Temp. Dimensions: (W) 15.43" x (H) 17.3" x (D) 4.25"

Considerations:

- A. The inverters power the line side of the drivers, therefore they operate the fixtures at full output while in EM mode ("full output" compared to what the Normal power driver does).
- B. The inverter needs to be sized-up to be able to power the max input current of the driver at the appropriate AC input voltage (not the driver's rated wattage), regardless of the connected load. The 125VA inverter can power 1x 96W driver, or 2x 40W drivers. The 250VA can power 2x 96W drivers or 5x 40W drivers.

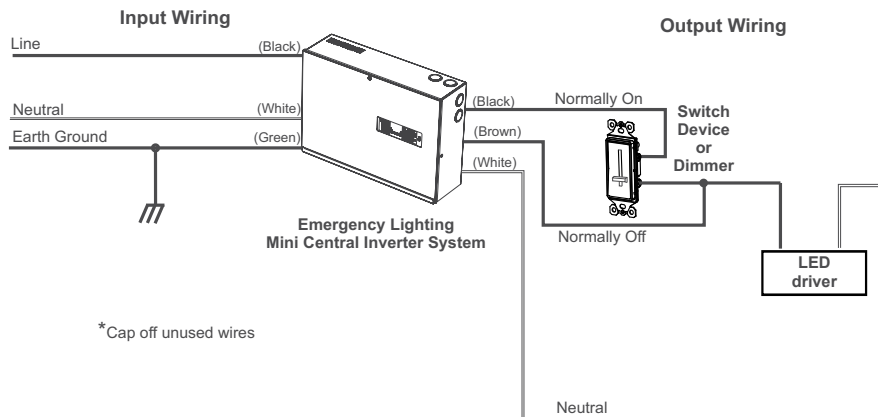


**EM-560-10025**



**EM-560-10026**

## Inverter Wiring diagram Dimming or Switched Lighting Zone Using Normally Off as a Bypass



**EM from a Generator / EM breaker panel:** When powering fixtures from an EM generator or EM breaker panel, the driver operates exactly the same way as it does when in normal power mode, and the light output is not affected.

Considerations:

- A. The EM circuit needs to be sized-up to be able to power the max input current of the driver at the appropriate AC input voltage (not the driver's rated wattage), regardless of the connected load.
- B. If the driver is integral, the line voltage N and EM power drops coming into the fixture need to be isolated from each other / cannot be in the same conduit.