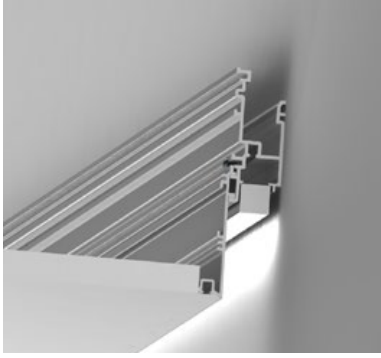


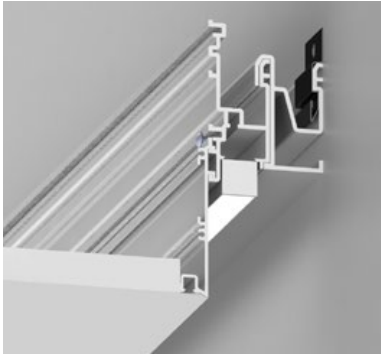
20 Linear Perimeter Regressed and Wallgraze



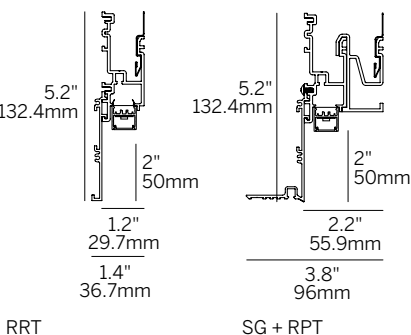
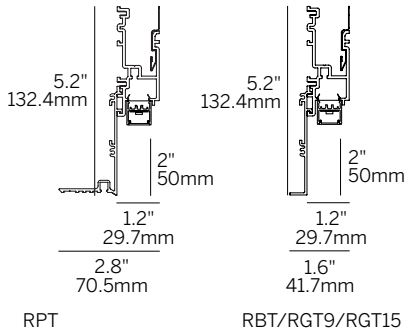
inter•lux



Recessed Plaster Trim (RPT)



Soft Graze (SG) Recessed Plaster Trim (RPT)



Ordering Information

Model	Fixation	Pattern	Length	Power ²	CRI/ CCT ³	Driver ⁵	Lens	Finish ⁷	Options
WG-20LPR WG-20LPRSG	RPT RBT RRT RGT9 RGT15	S PI ¹ PO ¹ PZ ¹	A A x B A x B x C A x B x A x B	P0 P1 P2 P3 L M H	927 930 935 940 TW ⁴ WD RGBW	E1 BT L1 DALI POE TQ D010 L3D0E DPH EL96 L3DAE DMX	OD (std) SD MPL NL16 LL45B ⁶ LL45W ⁶ LL45S ⁶	W (std) B S F	EM WL

Luminaire

- Recessed perimeter mount fixture with regressed light for continuous mounting to any desired length, as well as standard grid multiples
- *Soft Graze* (SG) version with 1" extension.
- Extruded aluminum housing, easily installed internal LED fixture insert. Remote driver. Field replaceable LED boards.
- 4' class 2 plenum rated feed cable standard.
- 90+ CRI, 3 Steps MacAdam.
- L70 (TM21 Projected 85°C) 72,000 hours. RGBW 50,000 hours. WD 36,000 hours.
- ETL and ETL-C for dry and damp locations.
- Standard Satin Opal Diffuser for even illumination and no LED appearance. Multiple lens options for high efficiency, low brightness or luminous effect.
- Lengths and angles factory cut to exact field dimensions. Standard and custom corners.
- Powdercoat painted.

Fixation

- RPT = Recessed plaster trim
- RBT = Recessed bezel trim
- RRT = Recessed return trim
- RGT9 = Recessed grid trim 9/16"
- RGT15 = Recessed grid trim 15/16"

Pattern

- S = Straight run
- PI = Standard patterns 2, 3 or 4 sided with 90° inside corners on the same plane¹
- PO = Standard patterns 2, 3 or 4 sided with 90° outside corners on the same plane¹
- PZ = Non-standard patterns and/or corners other than 90°, consult factory¹

Length

- A, B, C = specify inches to the nearest 0.25" (i.e. 72.25") For patterns specify each length (i.e. 2 sided: A x B = 72.25" x 48"; 3 sided: A x B x C; 4 sided: A x B x A x B)
- For 2 and 4 foot fixtures to fit ceiling grids specify 24" and 48" lengths

Power²

- P0 = 1.5 W/ft
- P1 = 3 W/ft
- P2 = 6 W/ft
- P3 = 10 W/ft
- L = 2.7 W/ft WD low power (24V)
- M = 5.5 W/ft WD medium power (24V) [RGBW 7.6 W/ft]
- H = 8W/ft WD high power (24V)

Lenses/Accessories



Opal Diffuser (OD)
Satin Diffuser (SD)
Micro-prismatic Lens (MPL)

Narrow Lens (NL16)

Louver (LL45)

CRI / CCT (90+ CRI minimum)³

- 927 = 2700K
- 930 = 3000K
- 935 = 3500K
- 940 = 4000K
- TW = Tunable White 2200K - 4000K⁴
- WD = Warm Dim 1800K-3000K
- RGBW = 3000K White

Driver (remote)⁵

- E1 = eldoLED 0.1% dimming, 0-10V (120-277V)
- L1 = Lutron 1% dimming, EcoSystem (120-277V)
- POE = Power over Ethernet
- BT = Wireless CAS - Casambi (Must specify BT with E1 or DALI)
- DALI = eldoLED DALI DT8 0.1% (120-277V)
- TQ = T-series for Lutron Quantum 0.1 % (120-277V) [TW only]
- D010 = Osram, 10%, 0-10V dimming, 120-277V [WD only]
- DPH = Phase Dimming, 1% dimming, 120V only [WD only]
- L3DAE = Lutron Hi-lume 1% EcoSystem, 120-277V [WD only]
- L3D0E = Lutron Hi-lume Premier 0.1% EcoSystem, 120-277V (remote) [WD only]
- DMX = Osram + eldoLED 24V, DMX dimming [WD + RGBW Only]

Lens

- OD = Satin opal diffuser (standard)
- SD = Satin clear diffuser
- MPL = Micro-prismatic lens
- NL16 = Linear narrow lens, 16°
- LL45B = Linear louver black⁶
- LL45W = Linear louver white⁶
- LL45S = Linear louver satin⁶

Finish⁷

- W = White, 15% gloss, RAL 9010 / Tiger Drylac 009/10120 (standard)
- B = Black, 15% gloss, RAL 9005 / Tiger Drylac 049/90053
- S = Silver, 15% gloss, RAL 9006 / Tiger Drylac 049/90500
- F = Custom finished trim, specify RAL

Options

- EM = Emergency LED driver (remote only)
- WL = Wet Location Under Canopy / Cover⁸

1 See pattern specs sheet.
2 Wattage shown does not include power supplies/drivers.
3 See photometric data sheet for delivered lumens.
4 TW offered up to P3 (10W/ft) power level.
5 See power supply page for details.
6 Louver available in 4.75" increments, straight runs only.
7 See Tiger Drylac color chart: inter-lux.com/tiger.
8 Wet Location option available for OD / SD / MPL lenses and recessed / surface ceiling applications only.

Cutout Dimensions

RPT - 1.75" width / length + 1/4"
RBT - 1.25" width / length + 1/4"
RRT - 1.5" width / length + 1/4"
(Add 1" to width for 20LPRSG)

