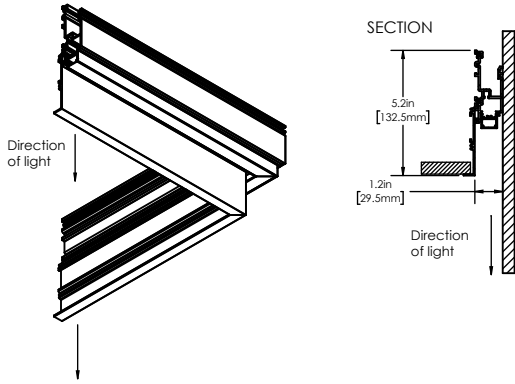


20 Linear Perimeter Regressed

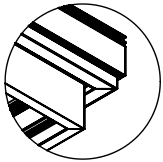
PATTERN INSIDE (PI)

Recessed Bezel Trim / Recessed Grid Trim

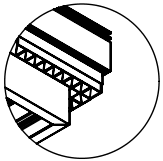
WG-20LPR-RBT/RGTx-PI-..



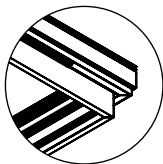
Minimum Angle 45°
Maximum Angle 180°



OD / SD / MPL
Mitered Housing
Mitered / Welded LED Insert
Mitered Lens



LL45
Mitered Housing
Butted LED Insert / Louver

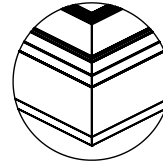
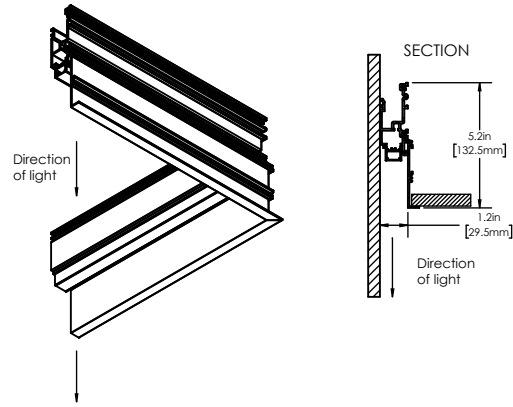


NL16 + MPL
Mitered Housing
Mitered / Welded Housing
Mitered Lens (NL16 + MPL)^{1,2}

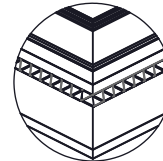
PATTERN OUTSIDE (PO)

Recessed Bezel Trim / Recessed Grid Trim

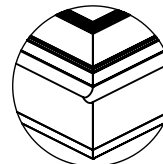
WG-20LPR-RBT/RGTx-PO-..



OD / SD / MPL
Mitered Housing
Mitered / Welded LED Insert
Mitered Lens



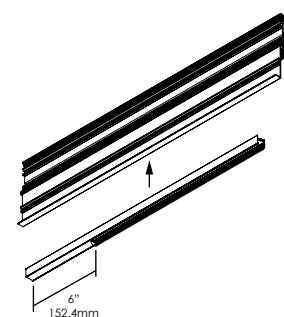
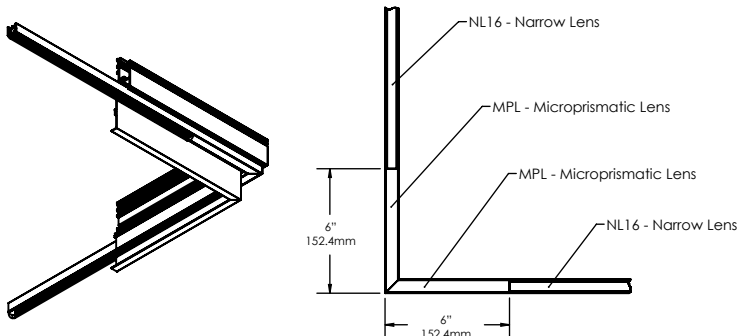
LL45
Mitered Housing
Butted LED Insert / Louver



NL16
Mitered Housing
Butted LED Insert / Lens

¹ Small section of MPL lens provided at corner when NL16 is specified for PI Pattern Inside to provide consistent illumination through corner.

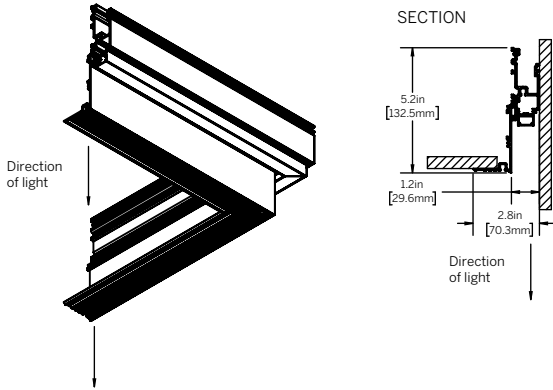
² Small section of MPL lens provided at end condition for all cases when NL16 is specified to provide consistent illumination at perpendicular wall.



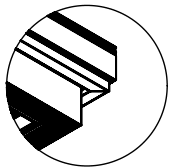
20 Linear Perimeter Regressed

PATTERN INSIDE (PI) Recessed Plaster Trim

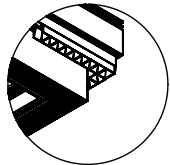
WG-20LPR-RPT-PI-..



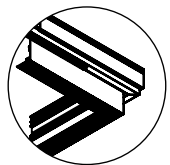
Minimum Angle 45°
Maximum Angle 180°



OD / SD / MPL
Mitered Housing
Mitered / Welded LED Insert
Mitered Lens



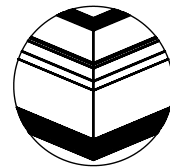
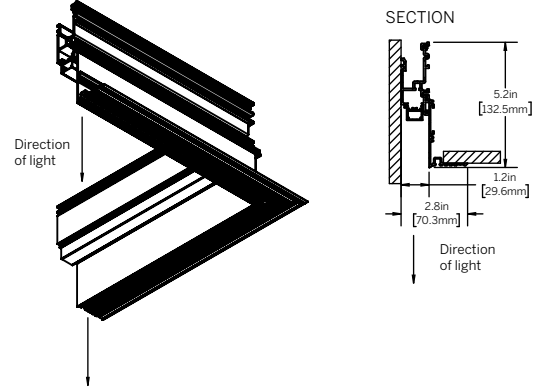
LL45
Mitered Housing
Butted LED Insert / Louver



NL16 + MPL
Mitered Housing
Mitered / Welded Housing
Mitered Lens (NL16 + MPL)^{1,2}

PATTERN OUTSIDE (PO) Recessed Plaster Trim

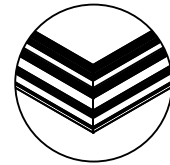
WG-20LPR-RPT-PO-..



OD / SD / MPL
Mitered Housing
Mitered / Welded LED Insert
Mitered Lens



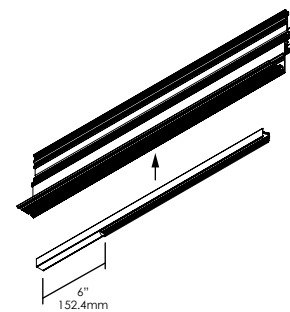
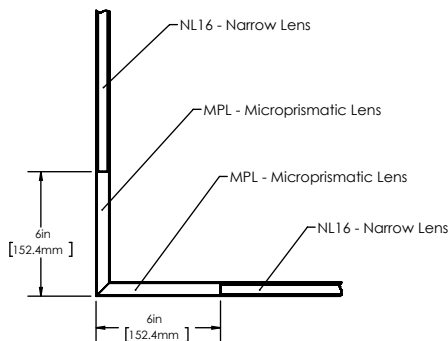
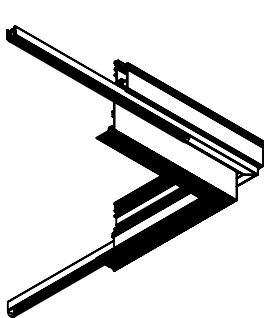
LL45
Mitered Housing
Butted LED Insert / Louver



NL16
Mitered Housing
Butted LED Insert / Lens

¹ Small section of MPL lens provided at corner when NL16 is specified for PI Pattern Inside to provide consistent illumination through corner.

² Small section of MPL lens provided at end condition for all cases when NL16 is specified to provide consistent illumination at perpendicular wall.

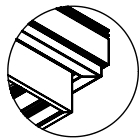
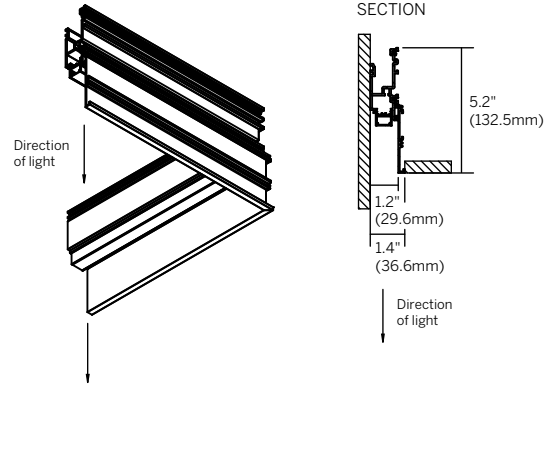
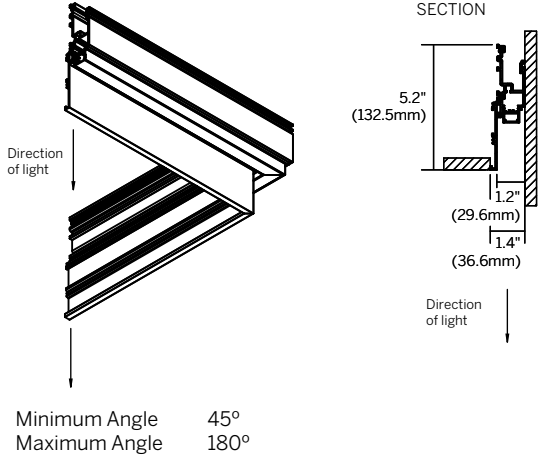


20 Linear Perimeter Regressed

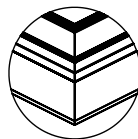
PATTERN INSIDE (PI) Recessed Return Trim

WG-20LPR-RRT-PI-..

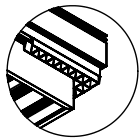
WG-20LPR-RRT-PO-..



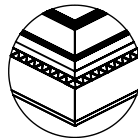
OD / SD / MPL
Mitered Housing
Mitered / Welded LED Insert
Mitered Lens



OD / SD / MPL
Mitered Housing
Mitered / Welded LED Insert
Mitered Lens



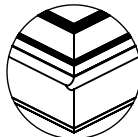
LL45
Mitered Housing
Butted LED Insert / Louver



LL45
Mitered Housing
Butted LED Insert / Louver



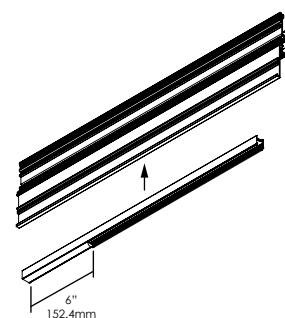
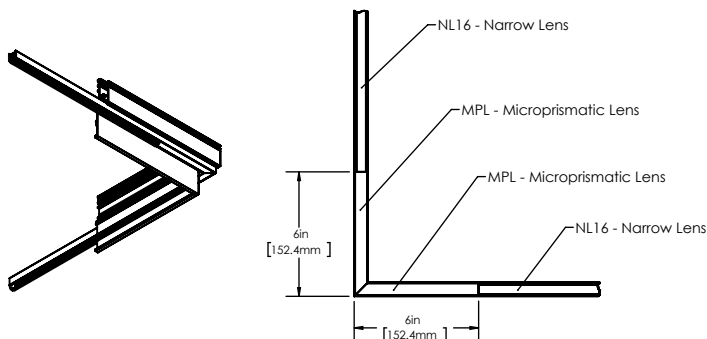
NL16 + MPL
Mitered Housing
Mitered / Welded Housing
Mitered Lens (NL16 + MPL)^{1,2}



NL16
Mitered Housing
Butted LED Insert / Lens

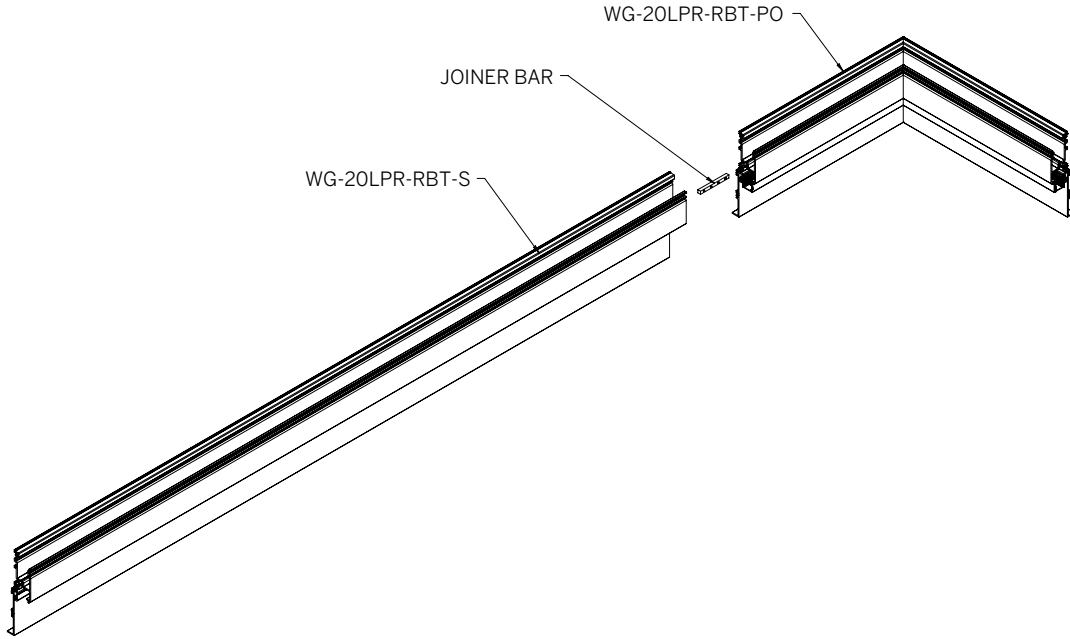
¹ Small section of MPL lens provided at corner when NL16 is specified for PI Pattern Inside to provide consistent illumination through corner.

² Small section of MPL lens provided at end condition for all cases when NL16 is specified to provide consistent illumination at perpendicular wall.



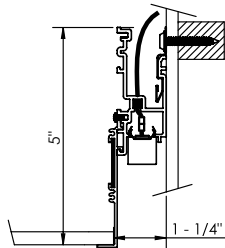
20 Linear Perimeter Regressed

CORNER + STRAIGHT RUN CONNECTIONS

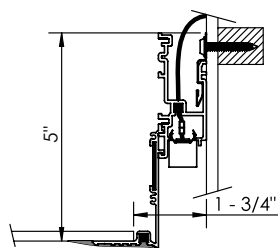


MOUNTING

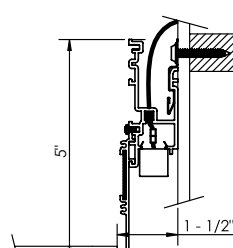
Recessed Bezel Trim



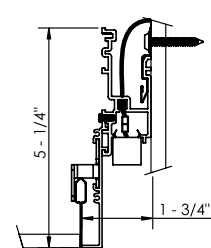
Recessed Plaster Trim



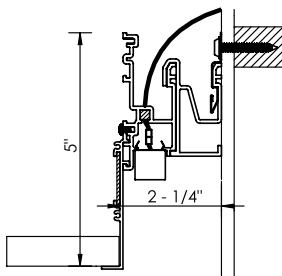
Recessed Return Trim



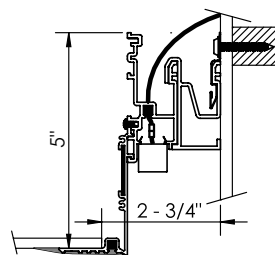
Recessed Grid Trim



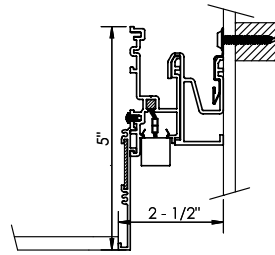
Recessed Bezel Trim
Soft-Graze



Recessed Plaster Trim
Soft-Graze



Recessed Return Trim
Soft-Graze



Recessed Grid Trim
Soft-Graze

