

20 Linear Perimeter Regressed

- Perimeter lighting system with regressed light source for general illumination and feature wall grazing.
- Recessed Luminaire allows the finished wall to continue above the ceiling plane for full wall illumination.
- Soft-graze option to control textured wall contrast and accommodate feature wall thickness.
- Trimless and bezel trim for seamless integration into any drywall, wood and metal surfaces.
- Straight runs and configurations with factory corners in exact lengths as specified.
- Removable light source sub assembly for ease of installation and maintenance.
- High efficiency linear LED in a range of outputs, including static white, tunable white, warm dim and RGBW.
- Remote driver, low voltage wiring.
- Lengths and angles factory cut to exact field dimensions.
- Mitered and welded corners available with continuous illumination.
- Made in the USA.

Housing Precision extruded aluminum for true dimensions and tolerances
Integration into any ceiling type
All low voltage connections made in the housing
Luminaires snaps into the housing without tools
Finishes: white, black, silver and custom

Integration Fixation into gypsum, hard ceilings and all grid ceiling types

Distribution Lenses and louvers for general and grazing applications

LED >90 CRI, 3-Step MacAdam, 2700-4000K static white
1.5W - 15W per foot, 180 nominal lumens per watt average, constant current
Tuneable white 2200-4000K, 80 nominal lumens per watt average
Warm Dim to emulate incandescent when dimming; 75 nominal lumens per watt average
RGBW, 50 nominal lumens per watt
L70 (TM21 Projected 85C) Static White / Tunable White = 72,000 hours, RGBW = 50,000 hours, WD = 36,000 hours

Lens OD - Opal Diffuser provides even, continuous line of light and general illumination
SD - Satin Clear Diffuser provides high efficiency soft edge beam, general illumination
MPL - Micro-prismatic lens provides lower brightness, general illumination
NL16 - Narrow Lens optic provides narrow beam for wall grazing applications
LL45 - 45 Degree Louver in white, black or satin provides extreme low brightness

Driver Remote driver
Compatible with quality constant current (Static White / Tunable White) and constant voltage (WD / RGBW) drivers

Connectivity POE
Wireless

Weight 2lbs per foot (20LPR); 3lbs per foot (20LPRSG)

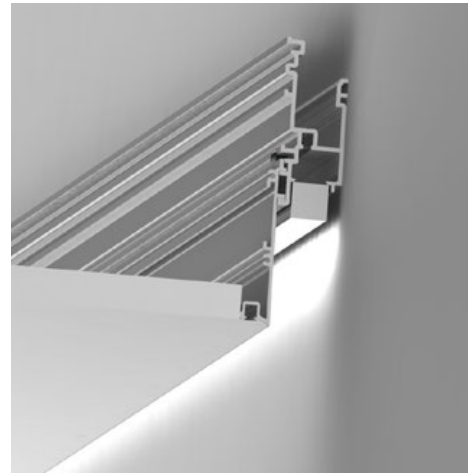
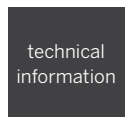
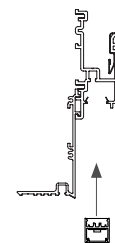
Operating Temp Suitable for operation in maximum ambient temperature of 35C (95F)

Warranty 5-year Limited (see complete company warranty information)

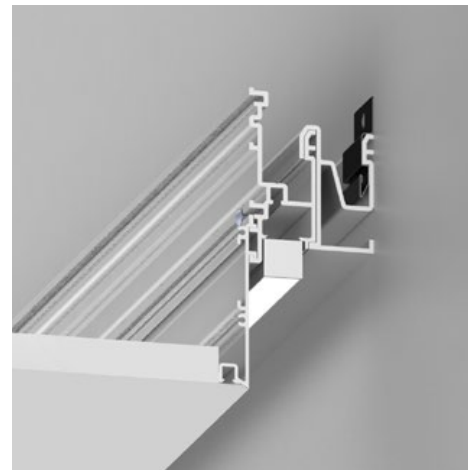
Certifications ETL and ETL-C for dry and damp location, CE

Voltages Low Voltage Fixture / 120-277VAC Driver (remote)

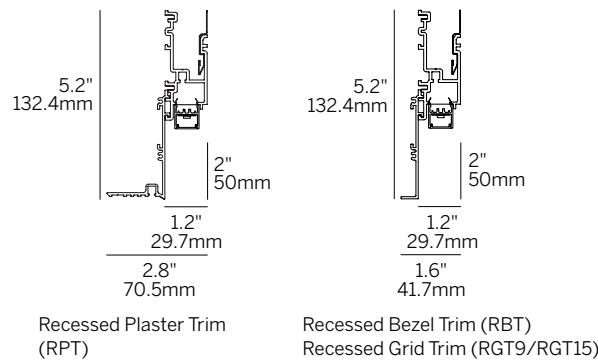
Lenses/Accessories



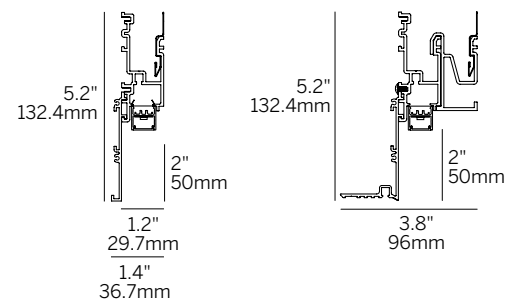
Recessed Plaster Trim (RPT)



Soft Graze (SG) Recessed Plaster Trim (RPT)



Recessed Plaster Trim (RPT) Recessed Bezel Trim (RBT) Recessed Grid Trim (RGT9/RGT15)



Recessed Return Trim (RRT) Soft Graze (SG) Recessed Plaster Trim (RPT)

20 Linear Perimeter Regressed

Model	Fixation	Pattern	Length	Power ²	CRI/CCT ³	Driver ⁵	Lens	Finish ⁷	Options
WG-20LPR WG-20LPRSG	RPT RBT RRT RGT9 RGT15	S PI ¹ PO ¹ PZ ¹	A A x B A x B x C A x B x A x B	P0 P1 P2 P3	927 930 935 940 TW ⁴	E1 L1 POE BT DALI TQ	OD (std) SD MPL NL16 LL45B ⁶ LL45W ⁶ LL45S ⁶	W (std) B S F	EM WL ⁸
				L M H	WD RGBW	DO10 DPH L3DAE L3DOE EL96 DMX			

Model

- WG-20LPR = 20 Linear Perimeter Regressed
- WG-20LPRSG = 20 Linear Perimeter Regressed Soft Graze

Fixation

- RPT = Recessed plastertrim
- RBT = Recessed bezel trim
- RRT = Recessed return trim
- RGT9 = Recessed grid trim 9/16"
- RGT15 = Recessed grid trim 15/16"

Pattern

- S = Straight run
- PI = Standard patterns 2, 3, or 4 sided with 90° inside corners on the same plane¹
- PO = Standard patterns 2, 3 or 4 sided with 90° outside corners on the same plane¹
- PZ = Non-standard patterns and/or corners other than 90° on multiple planes, consult factory¹

Length

- A, B, C = specify inches to the nearest 0.25" (i.e. 72.25")
For patterns specify each length (i.e. 2 sided: A x B = 72.25" x 48"; 3 sided: A x B x C; 4 sided: A x B x A x B)
- For 2 and 4 foot fixtures to fit ceiling grids specify 24" and 48" lengths

Power²

- P0 = 1.5 W/ft
- P1 = 3 W/ft
- P2 = 6 W/ft
- P3 = 10 W/ft
- L = 2.7 W/ft WD low power (24V)
- M = 5.5 W/ft WD medium power (24V) [RGBW 7.6 W/ft]
- H = 8 W/ft WD high power (24V)

CRI / CCT (90+ CRI minimum)³

- 927 = 2700K
- 930 = 3000K
- 935 = 3500K
- 940 = 4000K
- TW = Tunable White 2200K - 4000K⁴
- WD = Warm Dim 1800K-3000K
- RGBW = 3000K White

Whitegoods reserves the right to change any information without prior notice.

Notes

- See pattern specsheet.
- Wattage shown does not include power supplies/drivers.
- Refer to specsheet for delivered lumen data for all product configurations.
- TW offered up to P3 (10W/ft) power level.
- See power supply page for details.
- Louver available in 4.75" increments, straight runs only.
- See Tiger Drylac color chart: inter-lux.com/tiger.
- Wet Location option available for OD / SD / MPL lenses and recessed / surface ceiling applications only.

Driver (remote)⁵

- E1 = eldoLED 0.1% dimming, 0-10V (120-277V)
- L1 = Lutron 1% dimming, EcoSystem (120-277V)
- POE = Power over Ethernet
- BT = Wireless CAS - Casambi (Must specify BT with E1 or DALI)
- DALI = eldoLED DALI DT8 0.1% (120-277V)
- TQ = T-series for Lutron Quantum 0.1 % (120-277V) [TW only]
- DO10 = Osram, 10%, 0-10V dimming, 120-277V [WD only]
- DPH = Phase Dimming, 1% dimming, 120V only [WD only]
- L3DAE = Lutron Hi-lume 1% EcoSystem, 120-277V [WD only]
- L3DOE = Lutron Hi-lume Premier 0.1% EcoSystem, 120-277V (remote) [WD only]
- DMX = Osram + eldoLED 24V, DMX dimming [WD + RGBW Only]

Lens

- OD = Satin opal diffuser (standard)
- SD = Satin clear diffuser
- MPL = Micro-prismatic lens
- NL16 = Linear narrow lens, 16°
- LL45B = Linear louver black⁶
- LL45W = Linear louver white⁶
- LL45S = Linear louver satin⁶

Finish⁷

- W = White, 15% gloss, RAL 9010 / Tiger Drylac 009/10120 (standard)
- B = Black, 15% gloss, RAL 9005 / Tiger Drylac 049/90053
- S = Silver, 15% gloss, RAL 9006 / Tiger Drylac 049/90500
- F = Custom finished trim, specify RAL

Options

- EM = Emergency LED driver (remote)
- WL = Wet Location Under Canopy / Cover⁸

