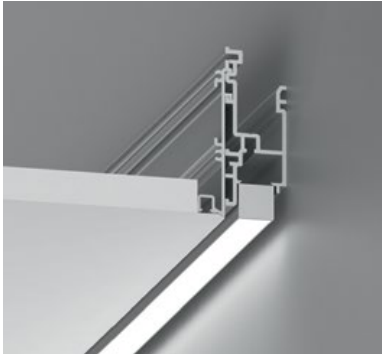
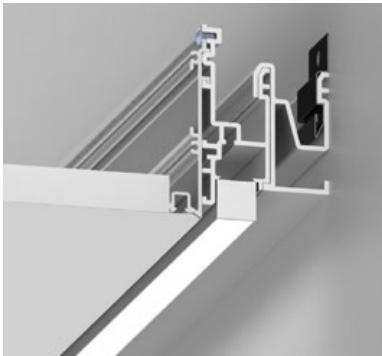


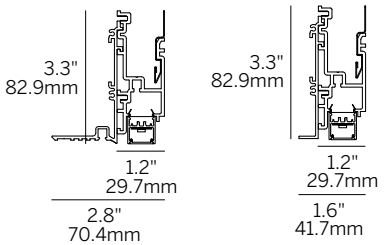
20 Linear Perimeter Flush



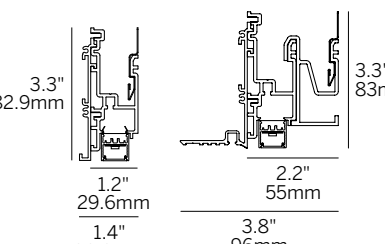
Recessed Plaster Trim (RPT)



Soft Graze (SG) Recessed Plaster Trim (RPT)



RPT RBT/RGT9/RGT15



RRT SG + RPT

Lenses/Accessories



Opal Diffuser (OD)
Micro-prismatic Lens (MPL)

Cutout Dimensions
(Add 1" to width for 20LPFSG)
RPT - 1.75" width / length + 1/4"
RBT - 1.25" width / length + 1/4"
RRT - 1.5" width / length + 1/4"

Ordering Information

Model	Fixation	Pattern	Length	Power ²	CRI/CCT ³	Driver ⁴	Lens	Finish ⁵	Options
WG-20LPF	RPT	S	A	L	927	X	OD (std)	W (std)	EM
WG-20LPFSG	RBT	PI ¹	A x B	M	930	S	MPL	B	WL ⁶
	RRT	PO ¹	A x B x C	H	935	D010		S	
	RGT9	PZ ¹	A x B x A x B		940	DPH		F	
	RGT15				WD	L3DAE			
					RGBW	L3DOE			
						EL96			
						DMX			

Luminaire

- Recessed perimeter mount fixture with flush light for continuous mounting to any desired length, as well as standard grid multiples.
- *Soft Graze* (SG) version with 1" extension.
- Extruded aluminum housing, easily installed internal LED fixture insert. Remote driver. Field replaceable LED boards.
- 4' class 2 plenum rated feed cable standard.
- 90+ CRI, 3 Steps MacAdam.
- L70 (TM21 Projected 85°C) Static White 60,000 hours. RGBW 50,000 hours. WD 36,000 hours.
- ETL and ETL-C for dry and damp locations.
- Standard Satin Opal Diffuser for even illumination and no LED appearance. Optional microprismatic lens for high efficiency and low brightness.
- Lengths and angles factory cut to exact field dimensions. Standard and custom corners.
- Powdercoat painted.

Fixation

- RPT = Recessed plaster trim
- RBT = Recessed bezel trim
- RRT = Recessed return trim
- RGT9 = Recessed grid trim 9/16"
- RGT15 = Recessed grid trim 15/16"

Pattern

- S = Straight run
- PI = Standard patterns 2, 3 or 4 sided with 90° inside corners on the same plane.¹
- PO = Standard patterns 2, 3 or 4 sided with 90° outside corners on the same plane.¹
- PZ = Non-standard patterns and/or corners other than 90°, consult factory.¹

Length

- A, B, C = specify inches to the nearest 0.25" (i.e. 72.25") For patterns specify each length (i.e. 2 sided: A x B = 72.25" x 48"; 3 sided: A x B x C; 4 sided: A x B x A x B)
- For 2 and 4 foot fixtures to fit ceiling grids specify 24" and 48" lengths

Power²

- L = 3W/ft low power (WD 2.7 W/ft) (24V)
- M = 6W/ft mid power (WD 5.5 W/ft) (24V) (RGBW - 7.6 W/ft)
- H = 10W/ft high power (WD 8 W/ft) (24V)

CRI/CCT (90+ CRI)³

- 927 = 2700K
- 930 = 3000K
- 935 = 3500K
- 940 = 4000K
- WD = Warm Dimming 1800 - 3000K
- RGBW = 3000K White (M power only)

Driver (remote)⁴

- X = No driver, ordered separately
- S = Standard, non-dim driver 120-277V
- D010 = Osram, 10%, 0-10V dimming, 120-277V
- DPH = Phase Dimming, 1% dimming, 120V only
- L3DAE = Lutron Hi-lume 1% EcoSystem, 120-277V
- L3DOE = Lutron Hi-lume Premier 0.1% EcoSystem, 120-277V
- EL96 = Osram / EldoLED, 24V, 0.1% 0-10V Dimming
- DMX = Osram / EldoLED, 24V, 0.1% DMX Dimming

Lens

- OD = Satin opal diffuser (standard)
- MPL = Micro-prismatic lens

Finish⁵

- W = White, 15% gloss, RAL 9010 / Tiger Drylac 009/10120 (standard)
- B = Black, 15% gloss, RAL 9005 / Tiger Drylac 049/90053
- S = Silver, 15% gloss, RAL 9006 / Tiger Drylac 049/90500
- F = Custom finished trim, specify RAL

Options

- EM = Emergency LED driver (remote only)
- WL = Wet Location Under Canopy / Cover⁶

- 1 See pattern spec sheet.
- 2 Wattage shown is for LED boards only, system wattage varies depending on driver selected.
- 3 See photometric data sheet for delivered lumens.
- 4 Remote power supply required. See power supply page for details.
- 5 See Tiger Drylac color chart: inter-lux.com/tiger
- 6 Wet Location option available for OD / MPL lenses and recessed / surface ceiling applications only.

