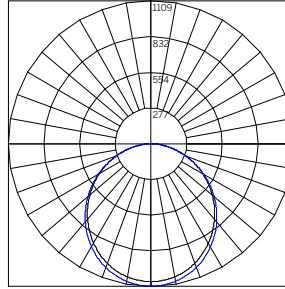


20 Linear Perimeter Flush

WG-20LPF-...-OD-W

Delivered Lumens Per Foot

		Power			
		L [3 W/ft]	M [6 W/ft]	H [10 W/ft]	RGBW [7.6 W/ft]
CCT	927	176	352	617	-
	930	192	383	670	-
	935	227	455	796	-
	940	270	540	946	-
	WD ²	135	280	405	-
	RGBW ³	-	-	-	229
UGR ⁴		26.7	29.3	31.1	-



BEAM ANGLE (0-180) = 110.3
BEAM ANGLE (90-270) = 111.4

ILLUMINANCE - 48" OD H 3500K

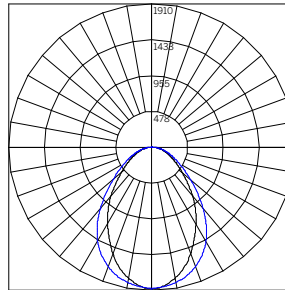
WG-20LPF-...-S-48-H-935-...-OD-W-...¹

Mounting Height [ft]	Illuminance [fc at max cd]	Beam Width [ft]
2	277	5.7
4	69	11.5
6	31	17.2
8	17	23.0
10	11	28.7
12	8	34.5
14	6	40.2
16	4	46.0
18	3	51.7
20	3	57.5

WG-20LPF-...-MPL-W

Delivered Lumens Per Foot

		Power			
		L [3 W/ft]	M [6 W/ft]	H [10 W/ft]	RGBW [7.6 W/ft]
CCT	927	209	418	731	-
	930	227	454	795	-
	935	270	540	944	-
	940	321	641	1122	-
	WD ²	160	332	480	-
	RGBW ³	-	-	-	272
UGR ⁴		26.3	28.9	30.7	-



BEAM ANGLE (0-180) = 73.8
BEAM ANGLE (90-270) = 85.5

ILLUMINANCE - 48" MPL H 3500K

WG-20LPF-...-S-48-H-935-...-MPL-W-...⁴

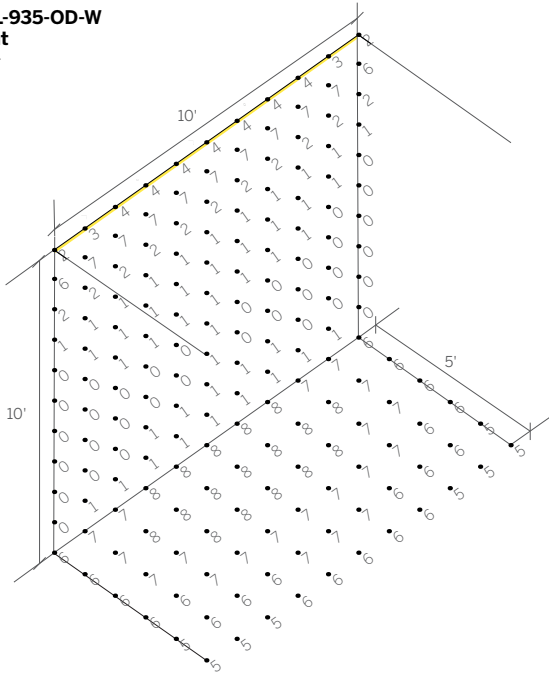
Mounting Height [ft]	Illuminance [fc at max cd]	Beam Width [ft]
2	478	3.0
4	119	6.0
6	53	9.0
8	30	12.0
10	19	15.0
12	13	18.0
14	10	21.0
16	7	24.0
18	6	27.0
20	5	30.0

Power Multiplier				
	L [3 W/ft]	M [6 W/ft]	H [10 W/ft]	RGBW [7.6 W/ft]
9XX/RGBW	0.29	0.57	1.00	0.29
WD	0.17	0.35	0.51	-
CCT Multiplier				
	927	930	935	940
	0.77	0.84	1.00	1.19

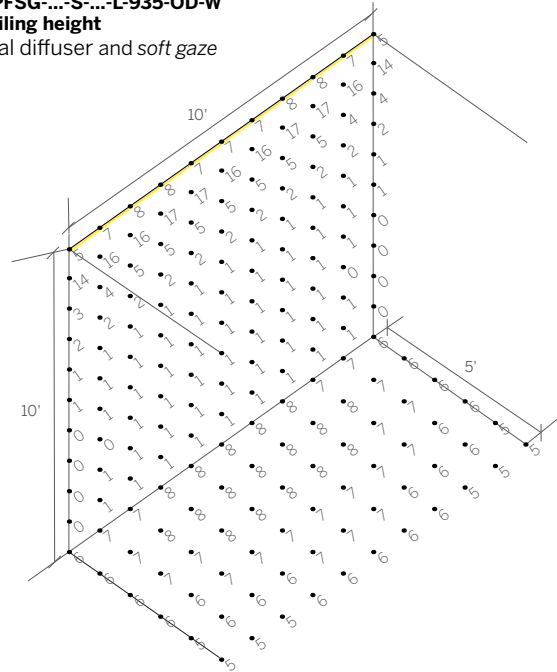
- 1 WD lumen data at maximum output (3000K).
- 2 RGBW lumen data at maximum output with 3000K White LED.
- 3 Polar Plot and Cone of Light are applicable to part number noted; use Multiplication Factor table to approximate other models or refer to online photometry.
- 4 UGR value noted is the maximum UGR (crosswise) with 935 LEDs / 48" length.

20 Linear Perimeter Flush Isoilluminance

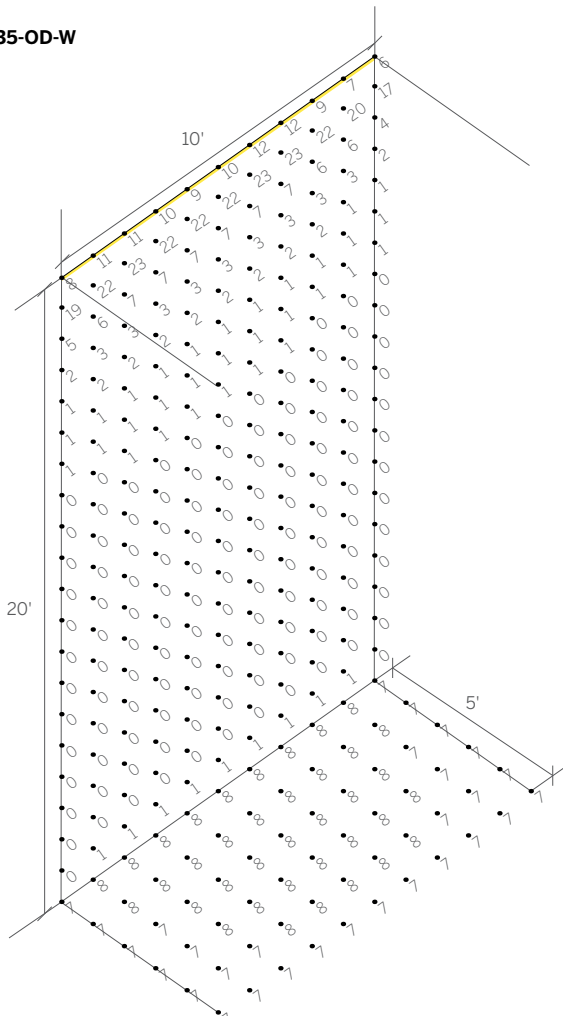
WG-20LPF-...-S-...-L-935-OD-W
 10'-0" ceiling height
 Satin opal diffuser



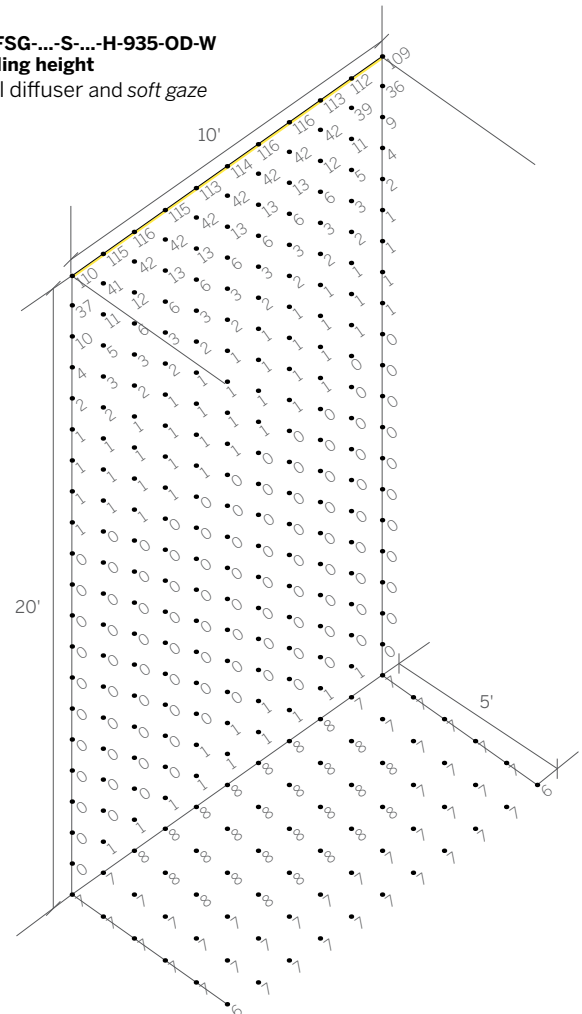
WG-20LPFSG-...-S-...-L-935-OD-W
 10'-0" ceiling height
 Satin opal diffuser and soft gaze



WG-20LPF-...-S-...-H-935-OD-W
 20'-0" ceiling height
 Satin opal diffuser



WG-20LPFSG-...-S-...-H-935-OD-W
 20'-0" ceiling height
 Satin opal diffuser and soft gaze

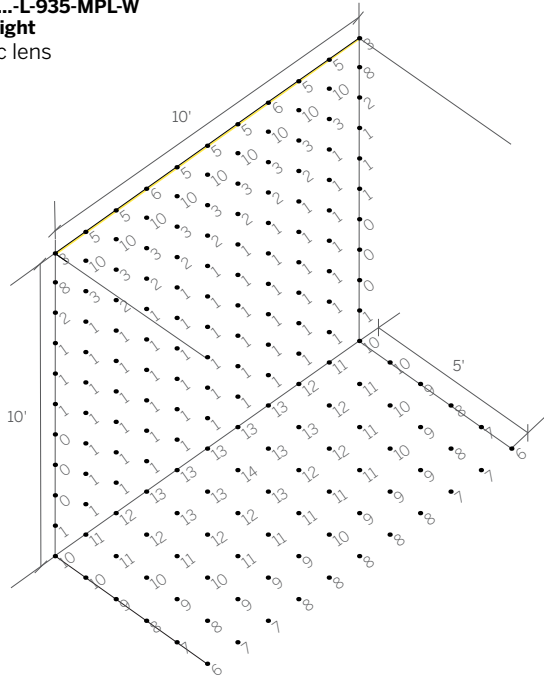


Surface reflectances:
 80% Ceiling
 50% Wall
 20% Floor

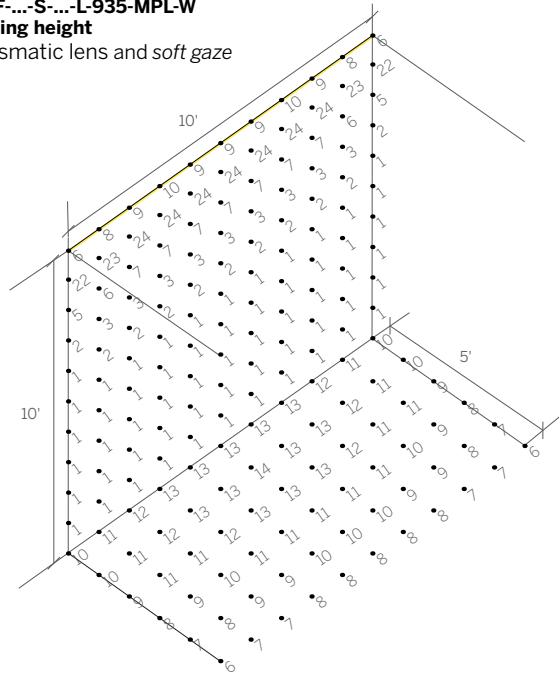
Illuminance points are spaced 1'-0" on center.
 Illuminance values are shown in units of foot-candles.

20 Linear Perimeter Flush Isoillumiance

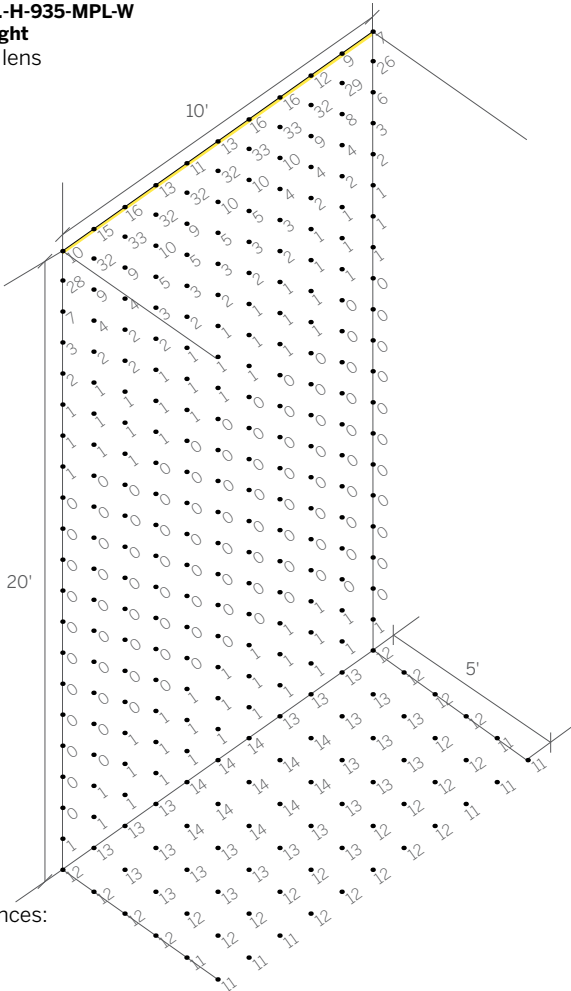
WG-20LPF-...-S-...-L-935-MPL-W
10'-0" ceiling height
 Micro-prismatic lens



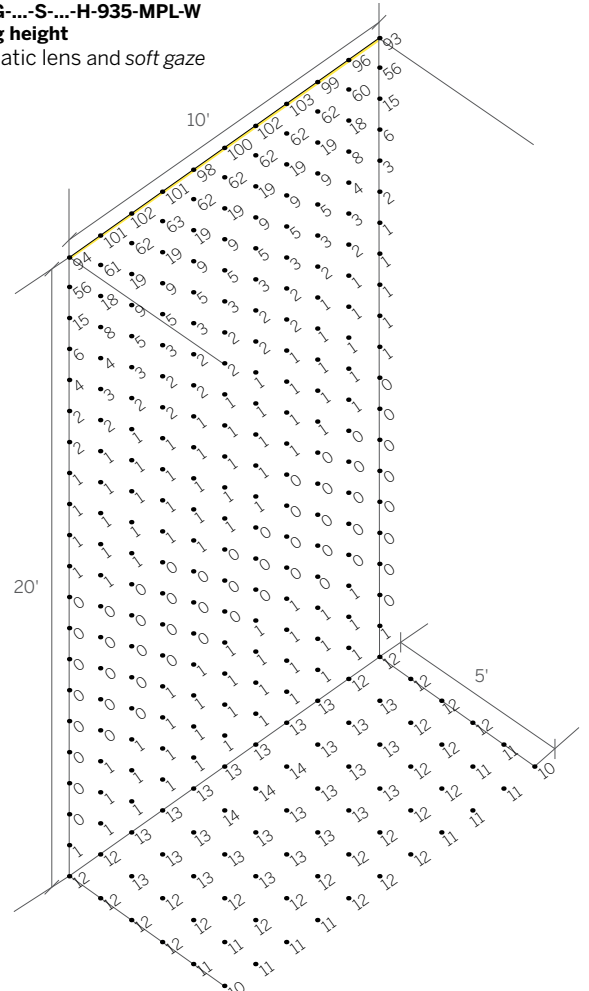
WG-20LPF-...-S-...-L-935-MPL-W
10'-0" ceiling height
 Micro-prismatic lens and soft gaze



WG-20LPF-...-S-...-H-935-MPL-W
20'-0" ceiling height
 Micro-prismatic lens



WG-20LPFSG-...-S-...-H-935-MPL-W
20'-0" ceiling height
 Micro-prismatic lens and soft gaze



Surface reflectances:
 80% Ceiling
 50% Wall
 20% Floor

Illuminance points are spaced 1'-0" on center.
 Illuminance values are shown in units of foot-candles.