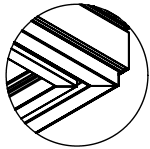
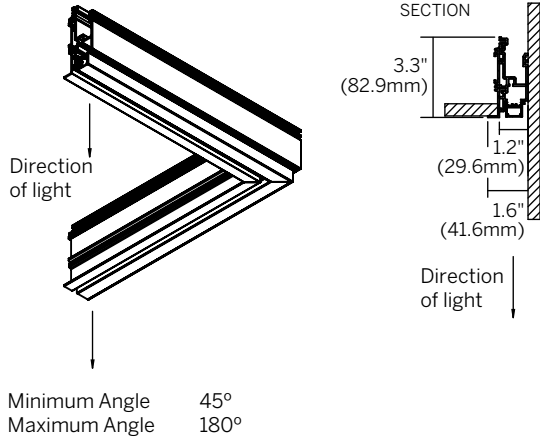


20 Linear Perimeter Flush

PATTERN INSIDE (PI)

Recessed Bezel Trim / Recessed Grid Trim

WG-20LPF-RBT/RGTx-PI-..

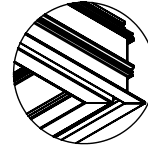
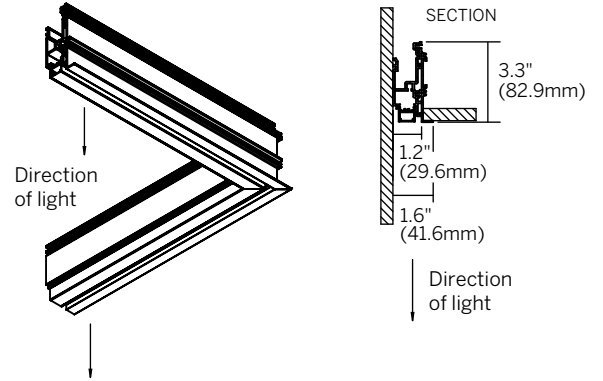


Mitered / Welded Housing
Mitered Lens (OD, MPL)

PATTERN OUTSIDE (PO)

Recessed Bezel Trim / Recessed Grid Trim

WG-20LPF-RBT/RGTx-PO-..

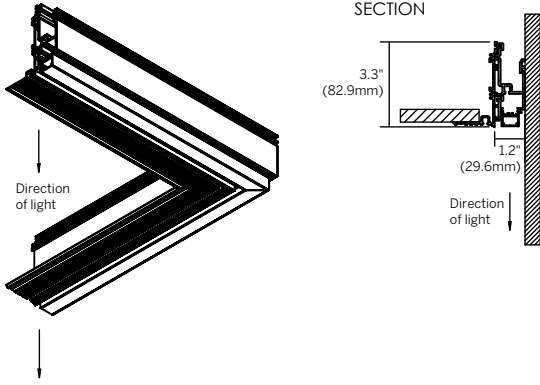


Mitered / Welded Housing
Mitered Lens (OD, MPL)

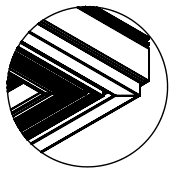
20 Linear Perimeter Flush

PATTERN INSIDE (PI) Recessed Plaster Trim

WG-20LPF-RPT-PI-..



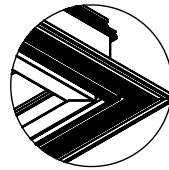
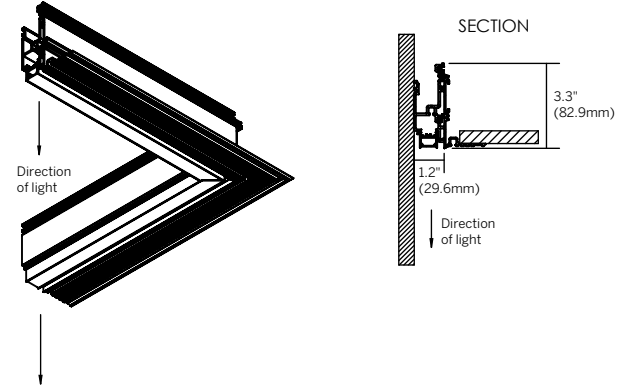
Minimum Angle 45°
Maximum Angle 180°



Mitered / Welded Housing
Mitered Lens (OD, MPL)

PATTERN OUTSIDE (PO) Recessed Plaster Trim

WG-20LPF-RPT-PO-..

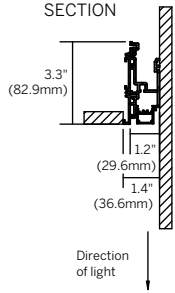
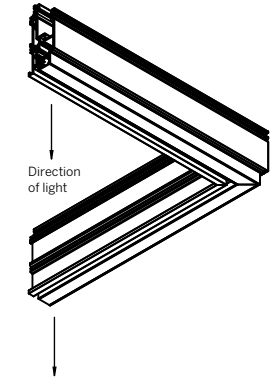


Mitered / Welded Housing
Mitered Lens (OD, MPL)

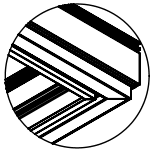
20 Linear Perimeter Flush

PATTERN INSIDE (PI) Recessed Return Trim

WG-20LPF-RRT-PI-..



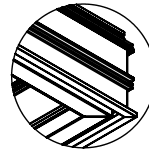
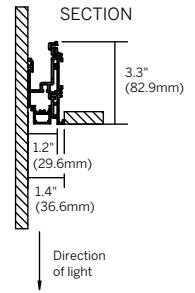
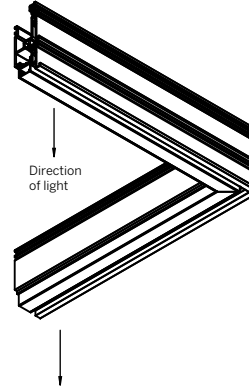
Minimum Angle 45°
Maximum Angle 180°



Mitered / Welded Housing
Mitered Lens (OD, MPL)

PATTERN OUTSIDE (PO) Recessed Return Trim

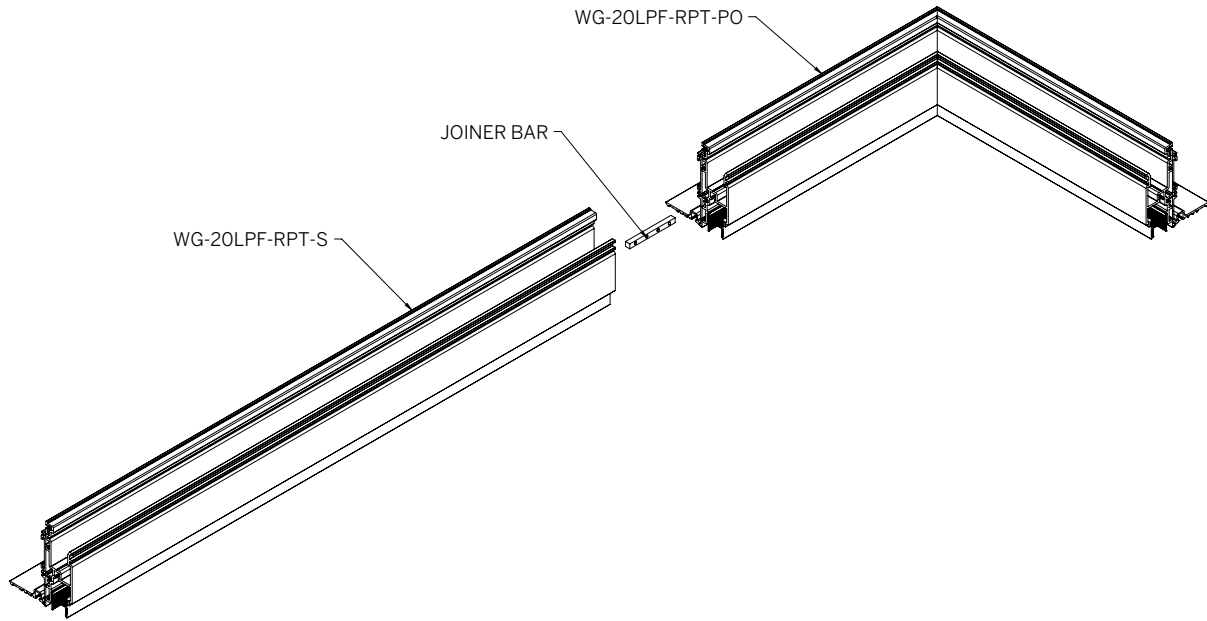
WG-20LPF-RRT-PO-..



Mitered / Welded Housing
Mitered Lens (OD, MPL)

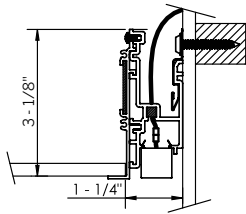
20 Linear Perimeter Flush

CORNER + STRAIGHT RUN CONNECTIONS

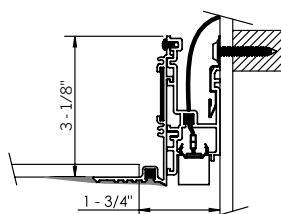


MOUNTING

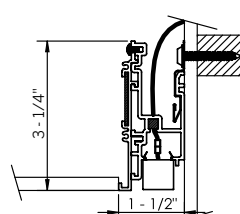
Recessed Bezel Trim



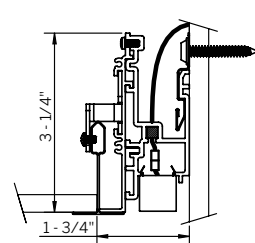
Recessed Plaster Trim



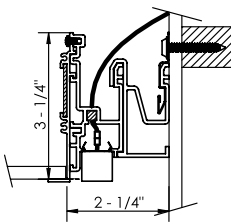
Recessed Return Trim



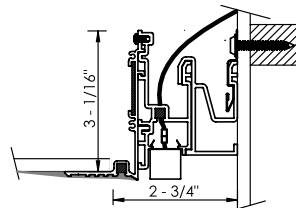
Recessed Grid Trim



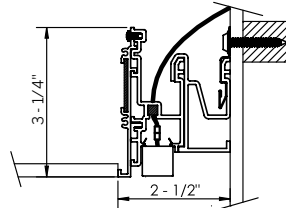
Recessed Bezel Trim
Soft-Graze



Recessed Plaster Trim
Soft-Graze



Recessed Return Trim
Soft-Graze



Recessed Grid Trim
Soft-Graze

