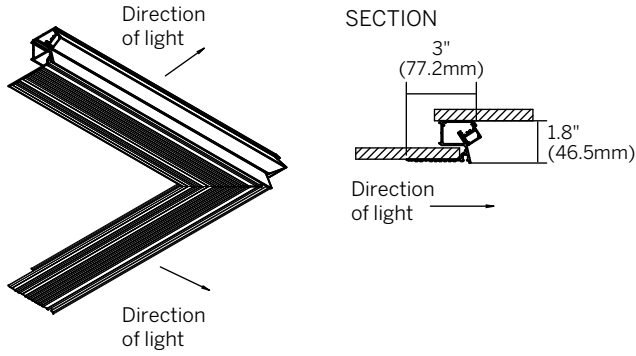


20 Linear Mini Z Cove

PATTERN INSIDE (PI)

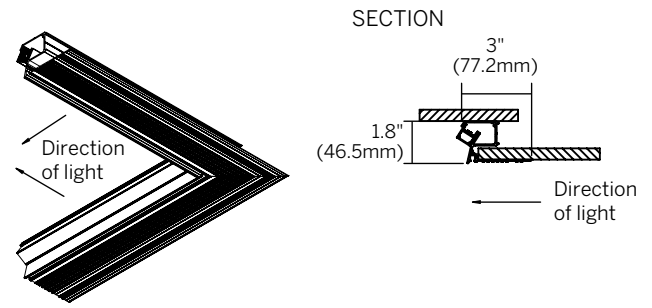
WG-20MZC-RPT-PI-..



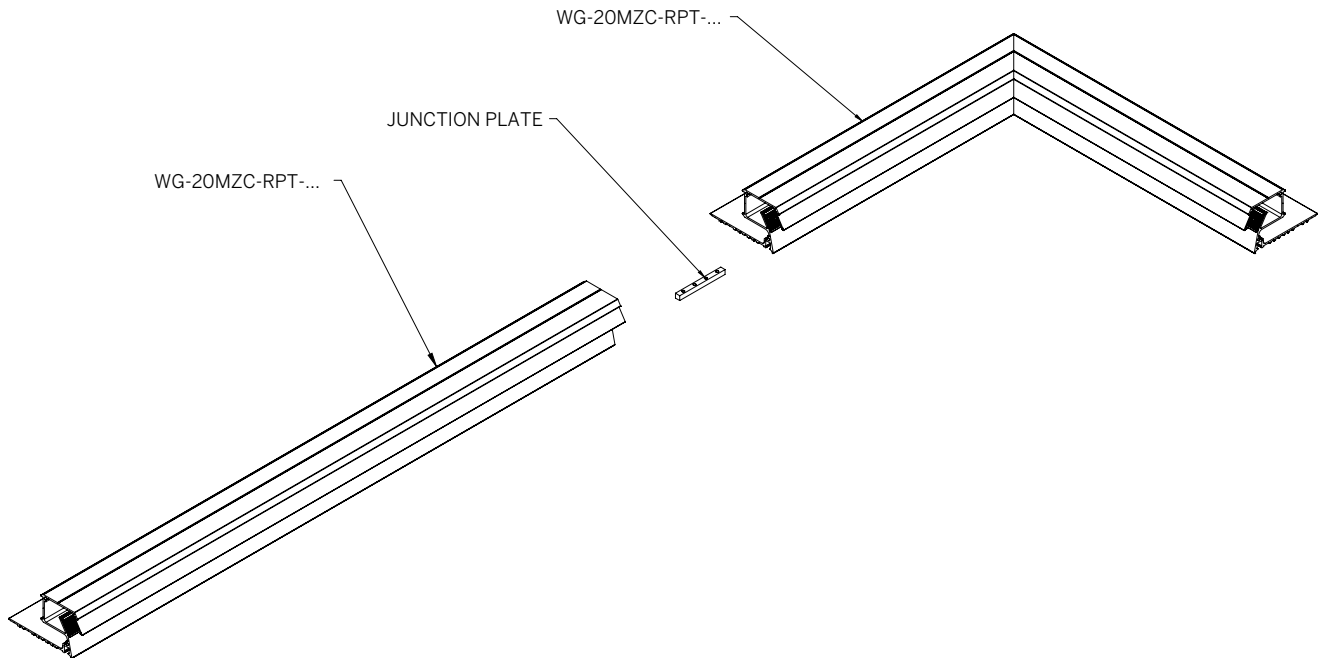
Minimum Angle 45°
Maximum Angle 180°

PATTERN OUTSIDE (PO)

WG-20MZC-RPT-PO-..

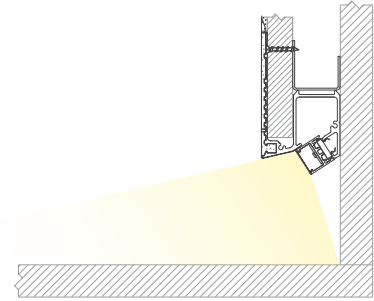
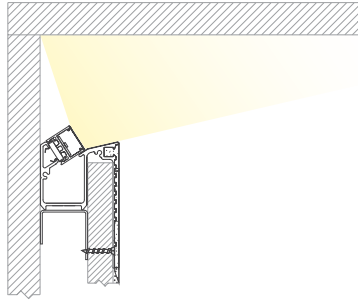
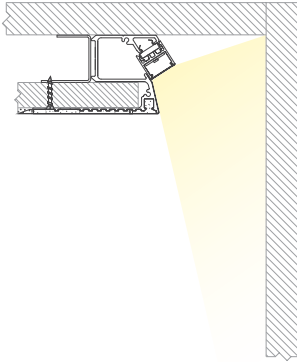


CORNER + STRAIGHT RUN CONNECTIONS



20 Linear Mini Z Cove

MOUNTING



Gypsum Ceiling Mounting Options
2.5" minimum offset, 6" typical offset

