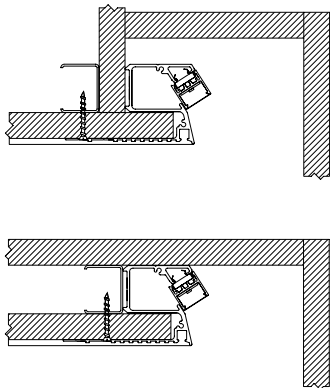
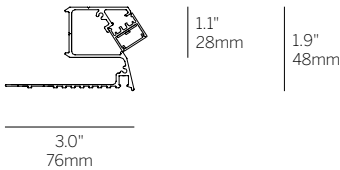
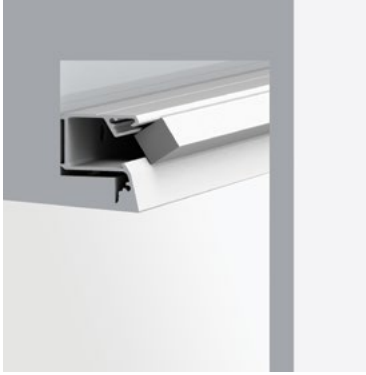
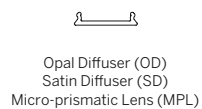


20 Linear Mini Z Cove



Gypsum Ceiling Mounting Options
2.5" minimum offset, 6" typical offset

Lenses/Accessories



Opal Diffuser (OD)
Satin Diffuser (SD)
Micro-prismatic Lens (MPL)

Ordering Information

Model	Fixation	Pattern	Length	Power ²	CRI/ CCT ⁴	Driver ⁵	Lens	Finish ⁶	Options
WG-20MZC	RPT	S PI ¹ PO ¹ PZ ¹	A A x B A x B x C A x B x A x B	L M H	927 930 935 940 WD RGBW	X S D010 L3DAE L3DOE EL96 DMX	OD (std) SD MPL	W (std) F	CDC EM

Luminaire

- Miniature continuous perimeter light with knife-edge detail for continuous mounting to any desired length (1/4" increments).
- Suitable for 1/2" or 5/8" drywall ceilings.
- Multiple lens options for diffuse, high efficiency and low brightness.
- Remote driver options (required). Field replaceable LED boards.
- Lengths and angles factory cut to exact field dimensions.
- 4¹ class 2 plenum rated feed cable standard.
- 90+ CRI, 3 steps MacAdam.
- L70 (TM21 Projected 85C) Static White 60,000 hours, RGBW 50,000 hours, WD 36,000 hours.
- ETL and ETL-C for dry and damp location.

Fixation

- RPT = Recessed Plaster Trim

Pattern

- S = Straight run
- PI = Standard patterns 2, 3, or 4 sided with 90° inside corners on the same plane¹
- PO = Standard patterns 2, 3 or 4 sided with 90° outside corners on the same plane¹
- PZ = Non-standard patterns and/or corners other than 90°, consult factory¹

Length

- A, B, C = specify inches to the nearest 0.25" (i.e. 72.25") For patterns specify each length (i.e. 2 sided: A x B = 72.25" x 48"; 3 sided: A x B x C; 4 sided: A x B x A x B)

Power³

- L = 3W/ft low power (WD 2.7 W/ft) (24V)
- M = 6W/ft mid power (WD 5.5 W/ft) (24V) (RGBW = 7.6 W/ft)
- H = 10W/ft high power (WD 8 W/ft) (24V)

CRI/CCT (90+ CRI)⁴

- 927 = 2700K
- 930 = 3000K
- 935 = 3500K
- 940 = 4000K
- WD = Warm Dimming 1800 - 3000K
- RGBW = 3000K White (M power only)

Driver (remote)⁵

- X = No driver, ordered separately
- S = Standard driver 120-277V
- D010 = Osram, 10%, 0-10V dimming, 120-277V
- L3DAE = Lutron Hi-lume 1% EcoSystem, 120-277V
- L3DOE = Lutron Hi-lume Premier 0.1% EcoSystem, 120-277V
- EL96 = Osram / EldoLED, 24V, 0.1% 0-10V Dimming
- DMX = Osram / EldoLED, 24V, 0.1% DMX Dimming

Lens

- OD = Satin opal diffuser (standard)
- SD = Satin clear diffuser
- MPL = Micro-prismatic Lens

Finish⁶

- W = White, 15% gloss, RAL 9010 / Tiger Drylac 009/10120 (standard)
- F = Custom finish, specify RAL

Options

- CDC = Clear dust cover
- EM = Emergency (remote)

- 1 Standard setup assumes the cove ends at a perpendicular wall and the LED board is setback from the end to minimize light on the perpendicular wall. Contact us for options.
- 2 See pattern spec sheet.
- 3 Wattage shown is for LED boards only, system wattage varies depending on driver selected.
- 4 See photometric data sheet for delivered lumens.
- 5 Remote power supply required. See power supply page for details.
- 6 See Tiger Drylac color chart: inter-lux.com/tiger