

Periskop 6.2" Optics



General: The Periskop outdoor family of flood lights represents a versatile landscaping solution for trees, bushes, sculptures, as well as building facades. Periskop is available in multiple sizes and optics (including a Hyper Spot and Ultra Spot beam for dramatic effects), with multiple installation solutions available and a selection of accessories to control and shape the beam to your desire.

Fixture Body: Open-pore Anodized and Powder Coated Die-Cast Aluminum. White RAL9003 / Black RAL9005 / Gray RAL9006 / Green 6031 / Dark Brown (Weathering Steel-like finish).

Glass: Extra-clear Tempered glass.

Bracket: Powder Coated Black Bracket. Bracket pivots -20°/+90° on the vertical plane and swivels +/-43.5° on the horizontal plane.

Mounting details: Fixture can be installed straight into concrete or onto different surfaces by using one of the several mounting accessories available within the family.

Dimensions/Weight: 6.2" (8.82 lbs)

Driver: Integral, 120-277VAC Dimmable 0-10V.

Wattage: Wattage: 22W (Hyper Spot), 38W (Narrow Spot), 40W (All other optics).

Cable: Fixture comes with 3.28' of power cable and it's equipped with TCS safety system to shield circuits from moisture.

IP rating: IP66 for protection against dust and water jets from any angle.

IK rating: IK 09 (6.2")

ETL Certification: ETL, wet location

Optics: Fixed: Available in Narrow Flood – Flood – Wide Flood – Elliptical Flood – Horizontal Elliptical Flood. Honeycomb louver: Available in Narrow Flood – Flood – Medium Wide Flood.

Narrow: Available in Hyper Spot – Ultra Spot

Standard Visors and Snoots accessories available. Elliptic lens available upon request.

Color temperatures: 2200K – 2700K – 3000K – 4000K.

CRI: 80+

Lumen Maintenance: L70 projections tested at Tj 65° C and Ta 25°.

Warranty: 5-year Limited Warranty on fixtures. 1-year Limited Warranty on Remote Drivers.



6.2" (48W) SWH Fixed



6.2" (48W) SBL Fixed



6.2" (48W) SGR Fixed



6.2" (22W) SDB Narrow HSP



6.2" (38W) SGN Narrow USP

Delivered Lumens*	F 48W	HFC 48W	N 22W	N 38W
SP	5030	3756	–	–
FL	5371	3987	–	–
MWFL	–	3428	–	–
WFL	5230	–	–	–
HEFL	3602	–	–	–
VEFL	3602	–	–	–
HSP	–	–	on req.	–
USP	–	–	–	on req.

*Values shown for 3000K

Ordering Information

Product	Trim/Finish	Type	Size	Wattage/Operation	Color Temp	Optic	Accessories ⁵
PER = Periskop	SWH = Square White SBL = Square Black SGR = Square Gray SDB = Square Dark Brown SGN = Square Green	F = Fixed	62 = 6.2"	48 ID = 48W / Integral Driver (0-10V Dim)	22 = 2200K 27 = 2700K 30 = 3000K 40 = 4000K	NFL = Narrow Flood (23°) ² FL = Flood (38°) ² WFL = Wide Flood (51°) ² HEFL = Horiz. Ellipt. Flood (42°x23°) ² VEFL = Vert. Ellipt. Flood (23°x42°) ²	Peg E98549 Tree belt E99802 Anti-glare E-U300025 E-U300028 ⁶ Flaps E-U300032
		FHC = Fixed Honeycomb ¹	62 = 6.2"	48 ID = 48W / Integral Driver (0-10V Dim)		NFL = Narrow Flood (22°) ³ FL = Flood (34°) ³ MWFL = Medium Wide Flood (47°) ³	
		N = Narrow beam	62 = 6.2"	22 ID = 22W / Integral Driver (0-10V Dim) 38 ID = 38W / Integral Driver (0-10V Dim)		HSP = Hyper Spot (3°) ⁴ USP = Ultra Spot (6°) ⁴	

¹ Only available with NFL, FL, MWFL

² Available with F ONLY

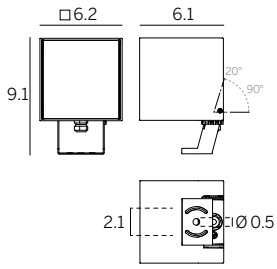
³ Available with FHC ONLY

⁴ Available with N ONLY

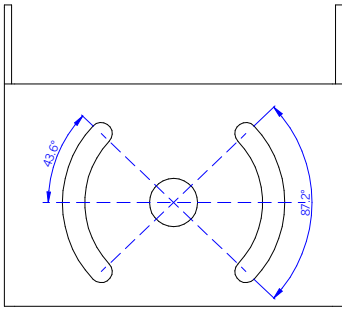
⁵ See page 2

⁶ Available with F ONLY

6.2"



HORIZONTAL PIVOTING BRACKET



ACCESSORIES



E98549

8" Peg for soft ground



E99802

Tree belt
For trees max diameter of 39"



E-U300025

Anti-glare Visor



E-U300028

Anti-glare Snoot
(Fixed ONLY)



E-U300032

Flaps