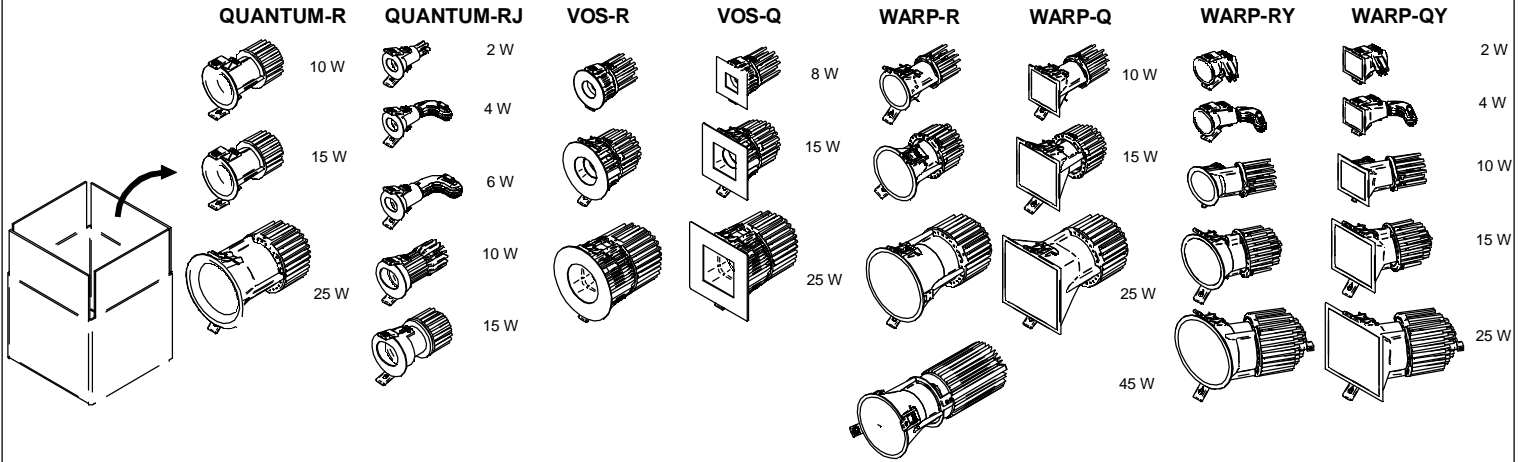




## QUANTUM-R // QUANTUM-RJ // VOS-R // VOS-Q // WARP-R // WARP-RJ // WARP-Q // WARP-QY // WARP-RY // WARP-QY



**WARNING:**

INSTALL PRODUCT IN ACCORDANCE WITH LOCAL AND NATIONAL ELECTRICAL CODES BY A QUALIFIED ELECTRICIAN

**WARNING:**

FAILURE TO COMPLY WITH THE INSTALLATION INSTRUCTIONS MAY RESULT IN DEATH OR SEVERE INJURY.

**WARNING:**

READ ALL SAFETY INSTRUCTIONS INCLUDED WITH LUMINAIRE BEFORE INSTALLING LUMINAIRE. SAVE INSTRUCTIONS FOR FUTURE USE.

**CAUTION:**

THIS IS AN ELECTRONIC DEVICE. CARE MUST BE TAKEN DURING STORAGE AND HANDLING. STORE IN A CLEAN, COOL AND DRY LOCATION. ELECTROSTATIC DISCHARGE (ESD) CAN HARM THIS PRODUCT. AVOID STATIC DISCHARGE WHILE HANDLING THIS PRODUCT.

**CAUTION:**

INTER-LUX IS NOT RESPONSIBLE FOR THE STRUCTURAL INTEGRITY OF THE BUILDING TO SUPPORT THE LUMINAIRE. ADDITIONAL BACKING MAY BE REQUIRED.

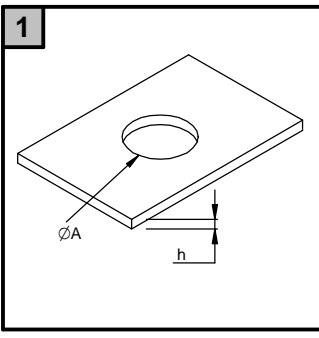
LOCATE AND REVIEW ANY CONSTRUCTION PLANS AND INTER-LUX RECORD DRAWINGS FOR ALL FIXTURE RUNS. IT IS RECOMMENDED TO LOCARE AND LAY OUT ALL COMPONENTS FOR EACH FIXTURE "RUN". A FIXTURE RUN TYPICALLY CONSISTS OF JOINERS, LENGTHS OF HOUSING, AND ENDCAPS. BE SURE TO IDENTIFY ALL CORRECT LENGTHS FOR EACH FIXTURE RUN.

INSULATING MATERIAL

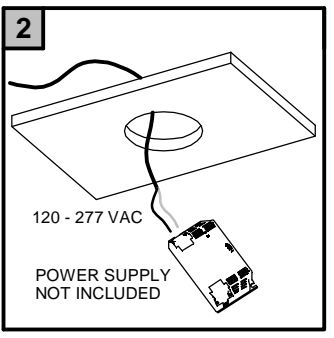
Recommended minimum distance from ceiling / insulating material

Do not cover the product with insulating material.

### INSTALLATION INSTRUCTIONS

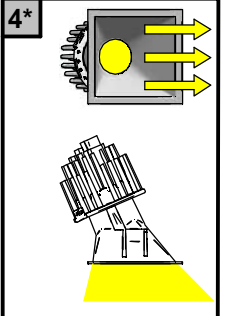
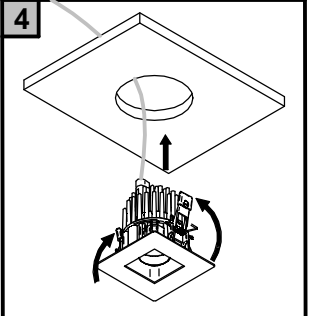
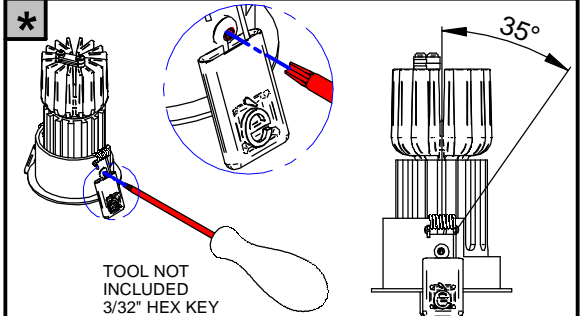
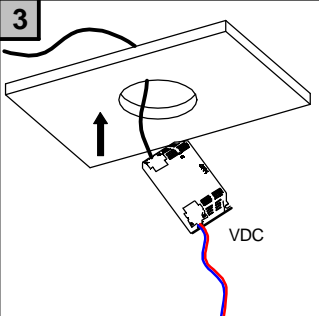


Art.	A	h	Art.	A	h
QUANTUM (10 W)	ø 2.05"	0.197"-0.787"	WARP-R (15 W)	ø 3.62"	0.197"-0.787"
QUANTUM (15 W)	ø 2.95"	0.197"-0.787"	WARP-Q (15 W)	□ 3.58"	0.197"-0.787"
QUANTUM (25 W)	ø 4.92"	0.197"-0.787"	WARP-R (25 W)	ø 4.96"	0.197"-0.787"
QUANTUM-J1 (2 W)	ø 1.73"	0.197"-0.787"	WARP-Q (25 W)	□ 5"	0.197"-0.787"
QUANTUM-J1 (4 W)	ø 1.73"	0.197"-0.787"	WARP-R (45 W)	ø 4.96"	0.197"-0.787"
QUANTUM-J1 (6 W)	ø 1.93"	0.197"-0.787"	WARP-RY (2 W)	ø 1.81"	0.197"-0.787"
QUANTUM-J1 (10 W)	ø 2.52"	0.197"-0.787"	WARP-QY (2 W)	□ 1.81"	0.197"-0.787"
QUANTUM-J1 (15 W)	ø 2.87"	0.197"-0.787"	WARP-RY (4 W)	ø 1.81"	0.197"-0.787"
VOS (10 W)	ø 2.52"	0.197"-0.787"	WARP-QY (4 W)	□ 1.81"	0.197"-0.787"
VOS (15 W)	ø 3.74"	0.197"-0.787"	WARP-RY (8 W)	ø 2.52"	0.197"-0.787"
VOS (25 W)	ø 4.76"	0.197"-0.787"	WARP-QY (8 W)	□ 2.52"	0.197"-0.787"
WARP-R (10 W)	ø 2.52"	0.197"-0.787"	WARP-RY (15 W)	ø 3.62"	0.197"-0.787"
WARP-Q (10 W)	□ 2.52"	0.197"-0.787"	WARP-QY (15 W)	□ 3.62"	0.197"-0.787"
			WARP-RY (25 W)	ø 5.04"	0.197"-0.787"
			WARP-QY (25 W)	□ 5.04"	0.197"-0.787"



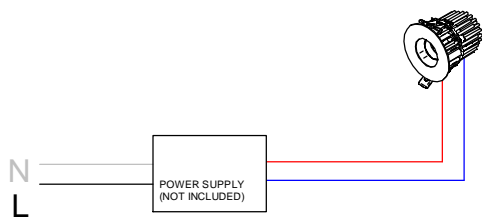
ART. 2 - 4 - 6 - 10 - 15 - 25 W

ART. QUANTUM RJ

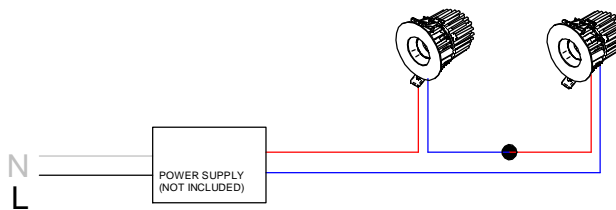


## WIRING DIAGRAM

### SINGLE FIXTURE



### MULTIPLE FIXTURES WIRED IN SERIES (NOT FOR 15W, 25W AND 45W)



THIS PRODUCT MUST BE INSTALLED IN ACCORDANCE WITH THE APPLICABLE INSTALLATION CODE BY A PERSON FAMILIAR WITH THE CONSTRUCTION AND OPERATION OF THE PRODUCT AND THE HAZARDS INVOLVED

## MOUNTING INSTRUCTIONS

READ ALL OF THESE INSTRUCTIONS BEFORE INSTALLING FIXTURES

- CAUTION: USE ONLY WITH CLASS 2 POWER UNIT
- Keep all of the instructions for future reference
- Turn off power before installing fixture
- Installation is to be performed by a qualified electrician only
- All installations must conform to the National Electrical Code as well as all local jurisdictional codes and regulations
- Any modification of the luminaire will void any and all written or implied warranties
- The manufacture accepts no responsibility for damage to persons or property arising through improper use or installation

## INSTALLATION SEQUENCE

- Cut correct size opening in ceiling [1]
- Mount remote driver in accessible well ventilated space [2-3]
- Ensure power is off before connecting driver to line voltage [2-3]
- Adjust tilting [\*]
- Connect secondary wiring to fixture wiring [2-3]
- Turn the springs and insert the article into the ceiling opening [4]
- WARNING - Be sure secondary wiring is connected to driver BEFORE energizing to avoid LED failure
- Energize

<b>Secondary Cable Colours</b>	<b>Pole</b>
Red wire	+
Blue wire	-