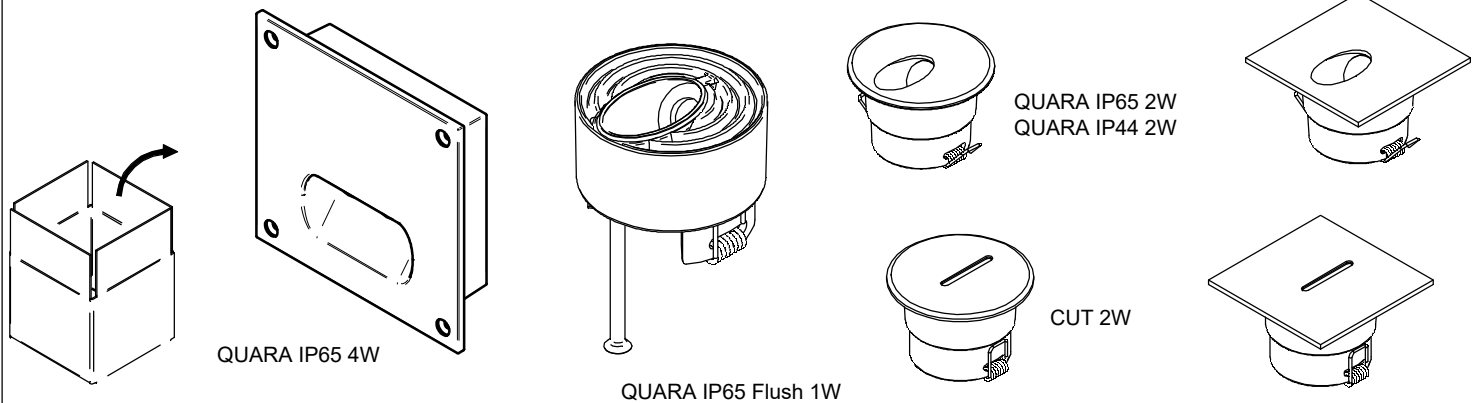




QUARA IP44 2W
QUARA IP65 2W & QUARA IP65 Flush 1W
QUARA IP65 4W / CUT 2W

**WARNING:**

INSTALL PRODUCT IN ACCORDANCE WITH LOCAL AND NATIONAL ELECTRICAL CODES BY A QUALIFIED ELECTRICIAN

**WARNING:**

FAILURE TO COMPLY WITH THE INSTALLATION INSTRUCTIONS MAY RESULT IN DEATH OR SEVERE INJURY.

**WARNING:**

READ ALL SAFETY INSTRUCTIONS INCLUDED WITH LUMINAIRE BEFORE INSTALLING LUMINAIRE. SAVE INSTRUCTIONS FOR FUTURE USE.

CAUTION:

THIS IS AN ELECTRONIC DEVICE. CARE MUST BE TAKEN DURING STORAGE AND HANDLING. STORE IN A CLEAN, COOL AND DRY LOCATION. ELECTROSTATIC DISCHARGE (ESD) CAN HARM THIS PRODUCT. AVOID STATIC DISCHARGE WHILE HANDLING THIS PRODUCT.

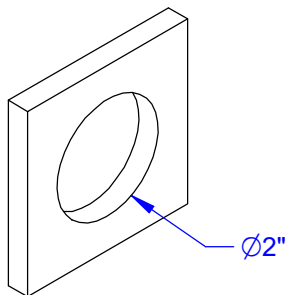
CAUTION:

INTER-LUX IS NOT RESPONSIBLE FOR THE STRUCTURAL INTEGRITY OF THE BUILDING TO SUPPORT THE LUMINAIRE. ADDITIONAL BACKING MAY BE REQUIRED.

LOCATE AND REVIEW ANY CONSTRUCTION PLANS AND INTER-LUX RECORD DRAWINGS FOR ALL FIXTURE RUNS. IT IS RECOMMENDED TO LOCARE AND LAY OUT ALL COMPONENTS FOR EACH FIXTURE "RUN". A FIXTURE RUN TYPICALLY CONSISTS OF JOINERS, LENGTHS OF HOUSING, AND ENDCAPS. BE SURE TO IDENTIFY ALL CORRECT LENGTHS FOR EACH FIXTURE RUN.

INSTALLATION INSTRUCTIONS

① **QUARA 2W Installation without outer casing (dry/damp locations ONLY):**



CUT A 2" DIAMETER HOLE ON THE DRYWALL

QUARA 2W (EXCEPT QUARA IP65 Flush, which is 1W) AND CUT 2W FIXTURES CAN BE INSTALLED WITHOUT THE OUTER CASING, MAKING A 2" DIAMETER HOLE ON THE DRYWALL AND INSTALLING THE OTHER /LONGER SPRINGS (INCLUDED) ON THE FIXTURE.

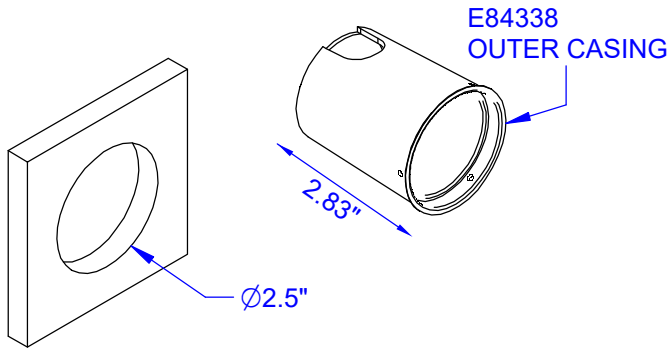
CONNECT THE WIRES, OPEN THE SPRINGS AND INSERT THE FIXTURE INTO THE WALL CAVITY.

ENERGIZE THE DRIVER.

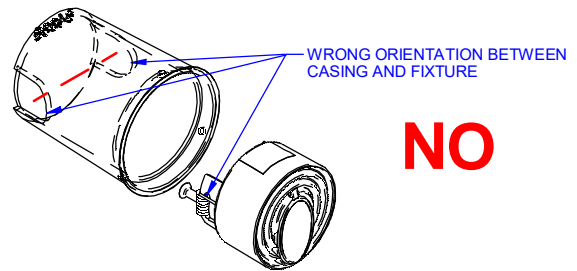
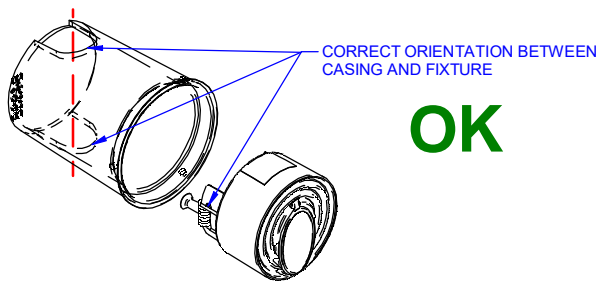
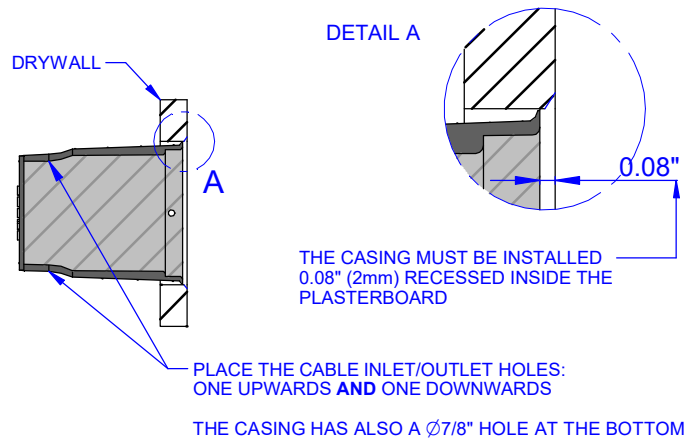
QUARA IP44 2W / QUARA IP65 2W / QUARA IP65 Flush 1W / CUT 2W

Installation with outer casing:

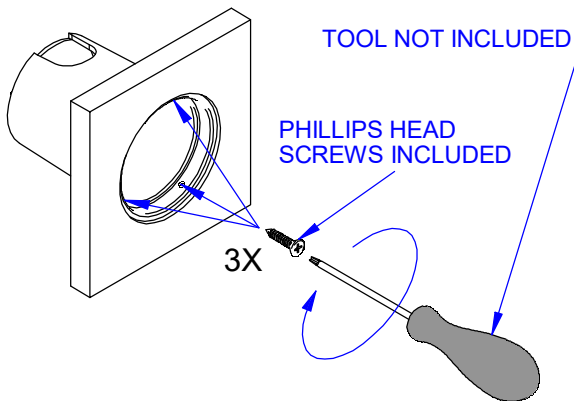
1



CUT A 2.5" DIAMETER HOLE ON THE DRYWALL

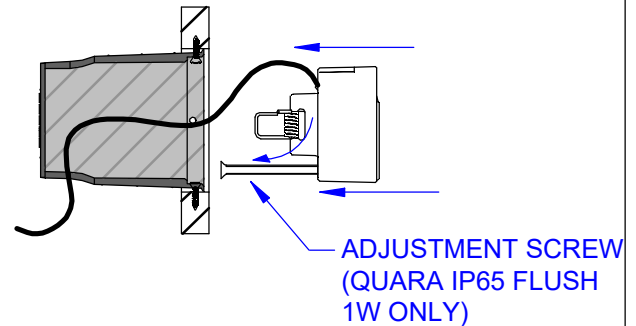


2



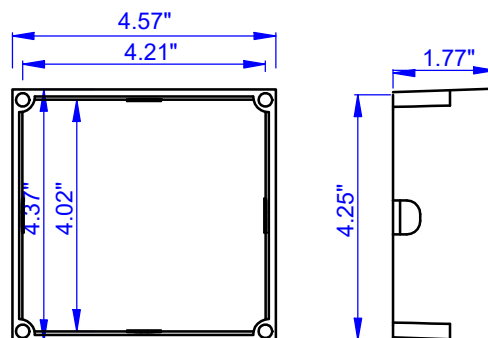
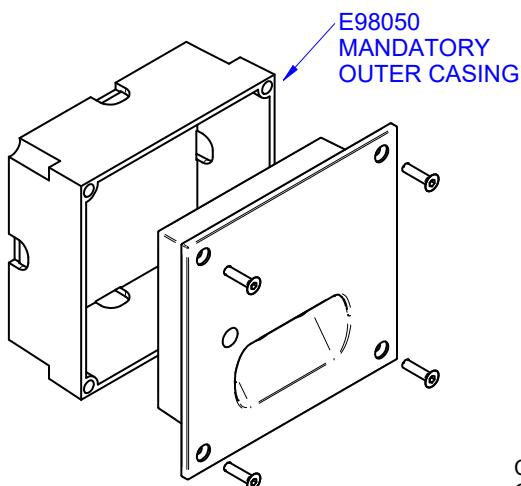
SECURE THE CASING TO THE WALL

3



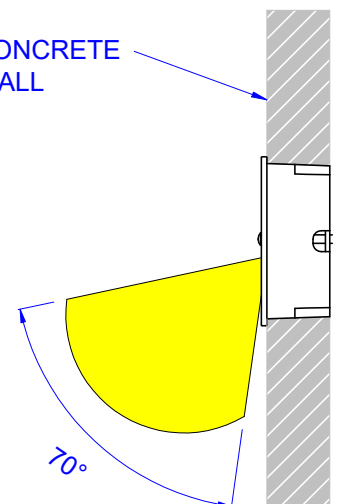
CONNECT THE WIRES, ROTATE THE SPRINGS AND INSERT THE FIXTURE INTO THE OUTER CASING. ENERGIZE THE DRIVER.

QUARA IP65 4W Only:

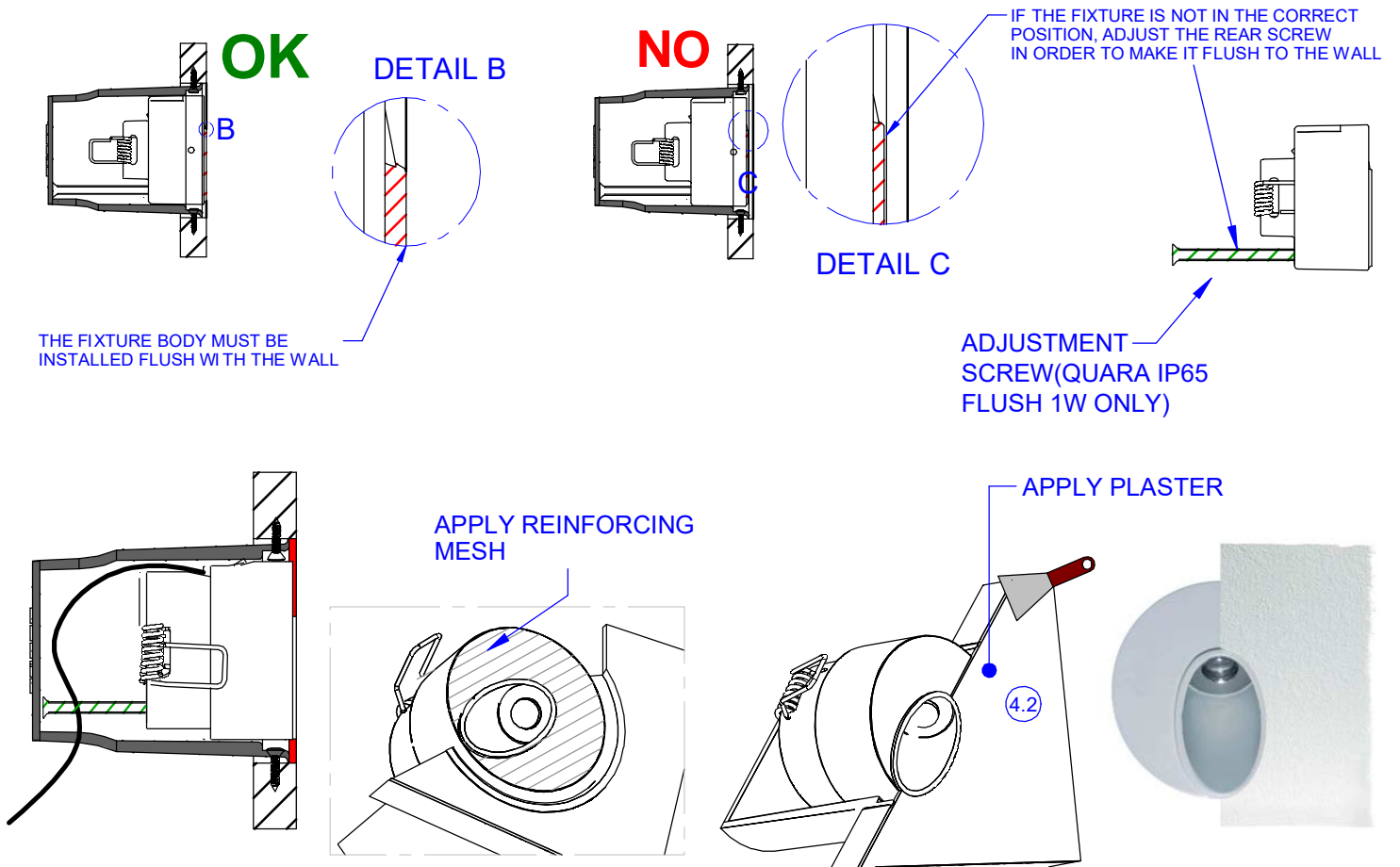


CONNECT THE WIRES, SCREW THE FIXTURE INTO THE OUTER CASING. ENERGIZE THE DRIVER.

CONCRETE WALL

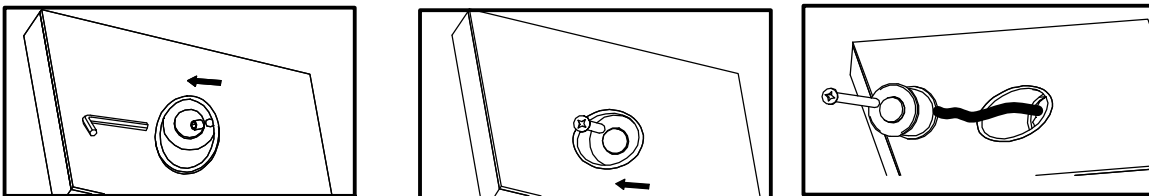


QUARA IP65 FLUSH 1W ADJUSTMENT AND PLASTER FINISHING:



ONCE THE WIRING IS DONE AND THE FIXTURE IS SET IN ITS CORRECT POSITION, APPLY A REINFORCING MESH AND COVER THE FIXTURE WITH PLASTER AS SHOWN ON THE PICTURES ABOVE.

MAINTENANCE

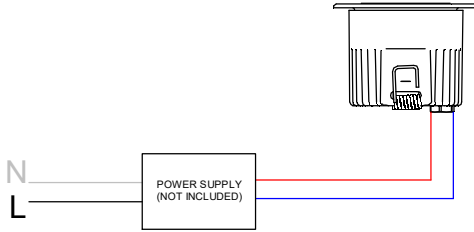


To replace the led, loosen the grub screw with the allen key (3/64" or 1.5mm, not included), apply the provided screw and pull it toward outside using it as a handle.

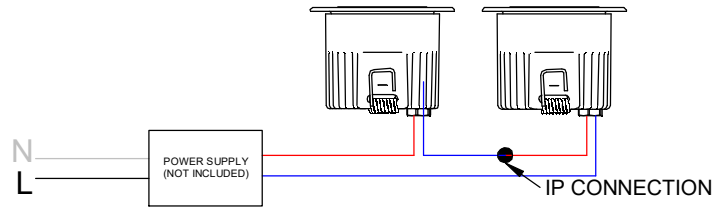
To reinstall the led, insert it appropriately, hold it down and tighten the grub screw. The remove the screw used as a handle.

WIRING DIAGRAM

SINGLE FIXTURE



MULTIPLE FIXTURE WIRED IN SERIES (Constant Current)



The number of fixtures on a single output will vary depending on the specific LED driver. Refer to the specific wiring diagram on <https://www.inter-lux.com/wiring-diagrams/> and the Constant Current Fixtures per driver table

QUARA / CUT Drive current level for each fixture:

- 1W fixture driven @ 350mA
- 2W fixture driven @ 630mA
- 4W fixture driven @ 630mA

THIS PRODUCT MUST BE INSTALLED IN ACCORDANCE WITH THE APPLICABLE INSTALLATION CODE BY A PERSON FAMILIAR WITH THE CONSTRUCTION AND OPERATION OF THE PRODUCT AND THE HAZARDS INVOLVED

MOUNTING INSTRUCTIONS

READ ALL OF THESE INSTRUCTIONS BEFORE INSTALLING FIXTURES

- CAUTION: USE ONLY WITH CLASS 2 POWER UNIT
- Keep all of the instructions for future reference
- Turn off power before installing fixture
- Installation is to be performed by a qualified electrician only
- All installations must conform to the National Electrical Code as well as all local jurisdictional codes and regulations
- Any modification of the luminaire will void any and all written or implied warranties
- The manufacture accepts no responsibility for damage to persons or property arising through improper use or installation

INSTALLATION SEQUENCE

- Cut correct size opening on the drywall
- Mount remote driver in accessible well ventilated space
- Ensure power is off before connecting driver to line voltage
- Connect secondary wiring to fixture wiring
- Install the casing as described
- Follow the appropriate steps depending on the fixture you are going to install
- WARNING: Be sure secondary wiring is connected to driver BEFORE energizing to avoid LED failure
- Energize

Secondary Cable Colours	Pole
Red wire	+
Blue wire	-

Constant Current Fixtures per Driver

mA	W	Max. number of fixtures PER OUTPUT (fixtures wired in series)	Max. total fixtures per ECO30W driver (1x output/driver)	Max. total fixtures per SOLO50W driver (2x outputs/driver)	Max. total fixtures per SOLO100W driver (4x outputs/driver)
180mA	7.0W	1	1	2	4
200mA	7.5W	1	1	2	4
220mA	0.6W	10	10	20	40
220mA	0.7W	10	10	20	40
220mA	1.9W	5	5	10	20
220mA	8.0W	1	1	2	4
220mA	9.0W	1	1	2	4
250mA	3.0W	3	3	6	12
300mA	12.0W	1	1	2	4
350mA	1.0W	10	10	20	40
350mA	1.5W	10	10	20	40
350mA	3.0W	5	5	10	20
350mA	4.0W	3	3	6	12
350mA	4.2W	3	3	6	12
350mA	12.0W	1	1	2	4
350mA	13.0W	1	1	2	4
400mA	15.0W	1	1	2	4
450mA	16.0W	1	1	2	4
500mA	1.5W	10	10	20	40
500mA	4.5W	4	4	8	16
500mA	6.0W	3	3	6	12
500mA	6.5W	3	3	4	8
500mA	9.0W	2	2	4	8
500mA	13.0W	1	1	2	4
500mA	14.0W	1	1	2	4
500mA	18.0W	1	1	2	4
500mA	20.0W	1	1	2	4
570mA	63.0W				1
580mA	20.0W	1	1	2	4
630mA	2.0W	10	10	16	32
630mA	2.0W	10	10	16	32
630mA	4.0W	6	6	10	20
630mA	6.0W	3	3	6	12
630mA	7.0W	3	3	4	8
630mA	7.2W	3	3	4	8
630mA	7.5W	3	3	4	8
630mA	8.0W	3	3	4	8
630mA	9.0W	2	2	4	8
630mA	12.0W	2	2	2	4
630mA	18.0W	1	1	2	4
630mA	23.0W	1	1	1	3
630mA	24.0W	1	1	1	3
660mA	45.0W				1
700mA	2.0W	10	10	16	32
700mA	6.3W	3	3	6	12
700mA	6.5W	3	3	4	8
700mA	8.0W	3	3	4	8
700mA	13.0W	1	1	2	4
700mA	21.0W	1	1	1	3
700mA	24.0W	1	1	1	3
700mA	25.0W			1	3
800mA	10.0W	2	2	2	4
840mA	30.0W			1	2
850mA	60.0W				1
900mA	33.0W			1	2
900mA	40.0W			1	2
900mA	42.0W			1	2
950mA	34.0W			1	2
950mA	35.0W			1	2
1050mA	48.0W				1
1250mA	45.0W				1
1250mA	46.0W				1
1300mA	46.0W				1
1850mA	54.0W				1

Consult factory for any combination not listed above.