

Paseo Low Power Clear



General: Paseo is a complete range of compact linear LED fixtures suitable to illuminate outdoor architectural elements or used as pathway lighting thanks to its Opaline version. Its 0.9" width makes Paseo one of the slimmest and most attractive products on the market. Paseo's versatility is given by multiple mounting accessories that allow to install the same fixture recessed in ground, wall, ceiling or surface mounted applications.

Fixture Body: Clear, UV resistant Polycarbonate.

Mounting/Housing: Multiple mounting HOUSINGS available. Anodized Aluminum recessed HOUSINGS for in-ground, wall or ceiling mount, with or without frame. Adjustable brackets for cove installation. Refer to accessory page for specific options.

Drive-over: Walk-Over only.

Dimensions/Weight: 20.2" (0.86 lbs) – 45.4" (1.96 lbs) – 57.2" (3.06 lbs)

Driver: Integral (120V, Non-Dim) or Remote (120-277V, Dimmable 0-10V or Non-Dim).

Wattages: 6W (20.2") – 13W (45.4") – 19W (57.2")

Cable: Fixture comes with 0.82' of cable (Power cable required, ordered separately).

Safety features: Built-in Aquastop® (Anti-wicking) and TCS® (Over tension and electrical discharge protection) systems.

IP rating: IP67 for temporary flooding up to 3.28' depth for up to a maximum of 30 mins.

IK rating: IK 08

ETL Certification: ETL, wet location

Optics: Fixed. Available in Narrow Flood or Asymmetric Wall Washer. 20.2" and 45.4" available with Anti-Glare system.

Color temperatures: 2700K – 3000K – 4000K.

CRI: 80+

Lumen Maintenance: L70 projections tested at Tj 65° C and Ta 25°.

Warranty: 5-year Limited Warranty on fixtures. 1-year Limited Warranty on Remote Drivers.



20.2" (6W)
45.4" (13W)
57.2" (19W)

Clear Delivered Lumens*	20.2"	45.4"	57.2"
NFL	553	1014	1605
WW	544	1052	1665

*Values shown for 3000K

Clear Clear Anti-Glare Delivered Lumens*	20.2"	45.4"
NFL	289	538
WW	367	616

*Values shown for 3000K

Ordering Information							(Required)		
Product	Power	Type	Length	Wattage/Operation	Color Temp	Optic	+	Driver ²	Cables ²
PA = Paseo	L = Low Power	C = Clear CAG = Clear Anti-Glare	20 = 20.2"	6 IND = 6W / Integral (Non-Dim) 6 CV = 6W / Remote (Dimmable)	27 = 2700K 30 = 3000K 35 = 3500K 40 = 4000K	NFL = Narrow Flood WW = Wall Washer		OT96-D010 OT96-JBX	IND E83043 E83044 E83045 E83046 E83047 CV E99216 E89190 E98437 E98149 E89188
			45 = 45.4"	13 IND = 13W / Integral (Non-Dim) 13 CV = 13W / Remote (Dimmable)					
			57 = 57.2" ¹	19 IND = 19W / Integral (Non-Dim) ¹ 19 CV = 19W / Remote (Dimmable) ¹					

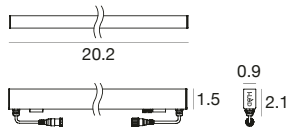
¹ Not avail. with CAG

² See page 2



Housings & fixing systems
Order separately, see pages 3-6

20.2" 6W IND/RD



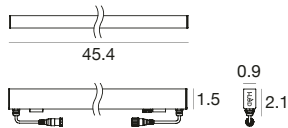
DRIVER OPTIONS (pick one)

Power supply options (remote only)

OT96-D010
Osram, 10% 0-10V dim,
96W, 24VDC, 120-277VAC,
supplied in a Dry location
enclosure

OT96-JBX
Osram, Non-dim,
96W, 24VDC,
120-277VAC,
Wet location

45.4" 13W IND/RD



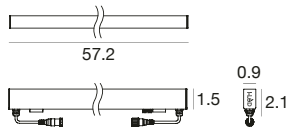
DRIVER OPTIONS (pick one)

Power supply options (remote only)

OT96-D010
Osram, 10% 0-10V dim,
96W, 24VDC, 120-277VAC,
supplied in a Dry location
enclosure

OT96-JBX
Osram, Non-dim
24VDC, 120-277VAC,
Wet location

57.2" 19W IND/RD



DRIVER OPTIONS (pick one)

Power supply options (remote only)

OT96-D010
Osram, 10% 0-10V dim,
96W, 24VDC, 120-277VAC,
supplied in a Dry location
enclosure

OT96-JBX
Osram, Non-dim
24VDC, 120-277VAC,
Wet location

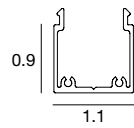
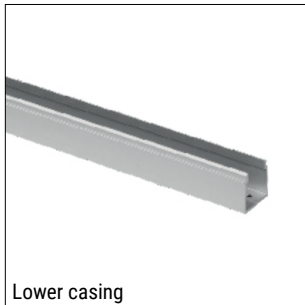
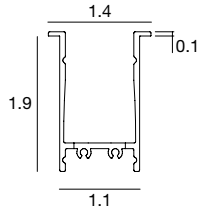
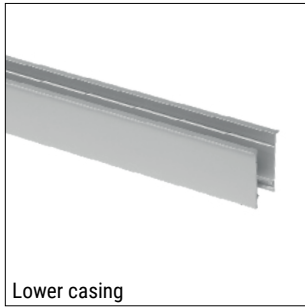
IND Cables (*one power feed required)

E83043* 59" line volt. power feed cable F 3 pin M12	E83044* 196" line volt. power feed cable F 3 pin M12	E83045 39" line volt. power extension cable for M+F 4 pin M12	E83046 196" line volt. power extension cable for M+F 4 pin M12	E83047 393" line volt. power extension cable for M+F 4 pin M12
---	--	--	---	---

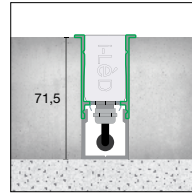
CV Cables (*one power feed required)

E99216* 59" line volt. power feed cable F 4 pin M12	E89190* 196" low volt. power feed cable F 4 pin M12	E98437 39" low volt. power extension cable M+F 4 pin M12	E98149 196" low volt. power extension cable M+F 4 pin M12	E89188 393" low volt. power extension cable M+F 4 pin M12
---	---	---	--	--

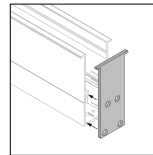
Paseo | Floor with trim outer casing



Anod. Al.	Outer casing	Cable gland
20.2 in x Paseo 20.2 in	E98355	E98471
22.7 in x Paseo 22.7 in	E98430	E98472
45.4 in x Paseo 45.4 in	E98356	E98473
57.2 in x Paseo 57.2 in	E98357	E98474

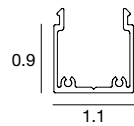
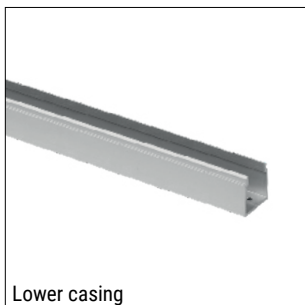
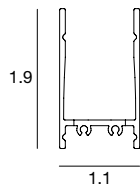
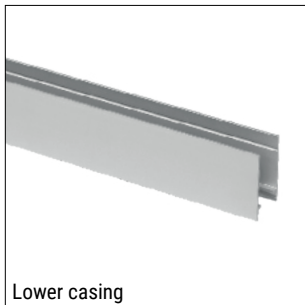


Installation accessories

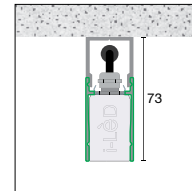
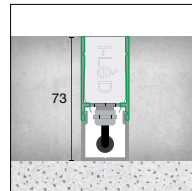


E98876
2 x end caps

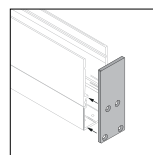
Paseo | Floor trimless / Surface mount outer casing



Anod. Al.	Outer casing	Cable gland
20.2 in x Paseo 20.2 in	E98467	E98471
22.7 in x Paseo 22.7 in	E98468	E98472
45.4 in x Paseo 45.4 in	E98469	E98473
57.2 in x Paseo 57.2 in	E98470	E98474

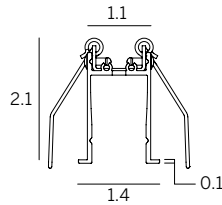


Installation accessories

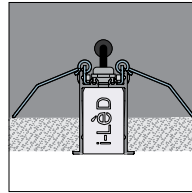


E98466
2 x end caps

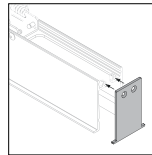
Paseo | Ceiling with trim outer housing



Anod. Al.	20.2 in x Paseo 20.2 in	E98374
Anod. Al.	22.7 in x Paseo 22.7 in	E98435
Anod. Al.	45.4 in x Paseo 45.4 in	E98375
Anod. Al.	57.2 in x Paseo 57.2 in	E98376

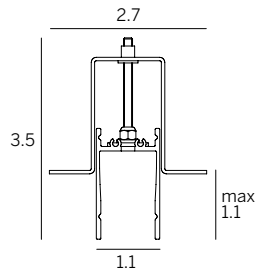
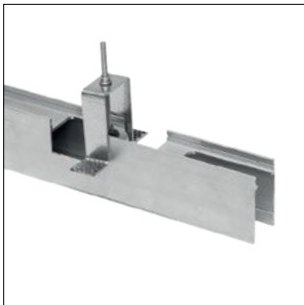


Installation accessories

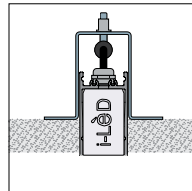


E98465
2 x end caps

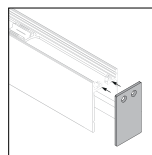
Paseo | Ceiling trimless outer housing



Anod. Al.	20.2 in x Paseo 20.2 in	E98367
Anod. Al.	22.7 in x Paseo 22.7 in	E98434
Anod. Al.	45.4 in x Paseo 45.4 in	E98368
Anod. Al.	57.2 in x Paseo 57.2 in	E98369

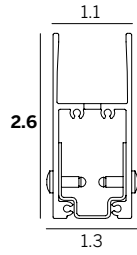
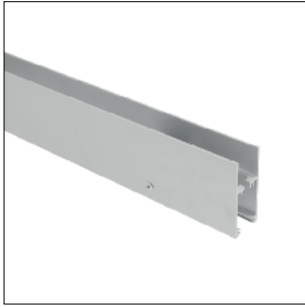


Installation accessories

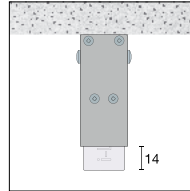


E98464
2 x end caps

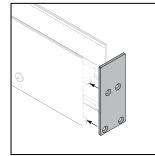
Paseo | Surface 3D outer housing



Anod. Al.	20.2 in x Paseo 20.2 in	E98836
Anod. Al.	22.7 in x Paseo 22.7 in	E98839
Anod. Al.	45.4 in x Paseo 45.4 in	E98837
Anod. Al.	57.2 in x Paseo 57.2 in	E98838

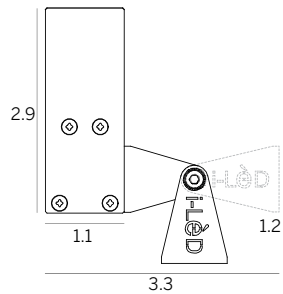


Installation accessories

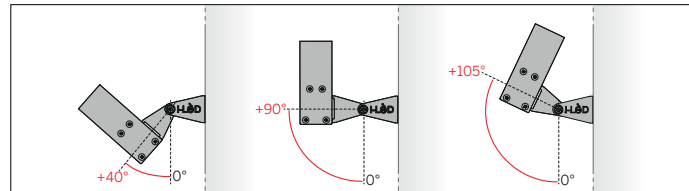


E98840
2 x end caps

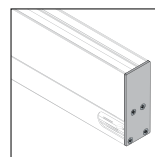
Paseo | Surface adjustable outer housing



Anod. Al.	20.4 in x Paseo 20.2 in	E98842
Anod. Al.	22.9 in x Paseo 22.7 in	E98843
Anod. Al.	45.6 in x Paseo 45.4 in	E98844
Anod. Al.	57.4 in x Paseo 57.2 in	E98845

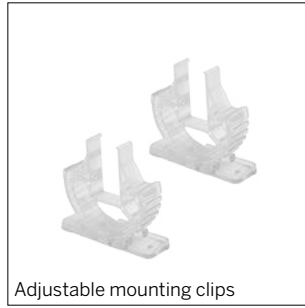


Installation accessories

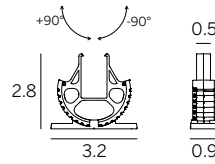


Included
2 x end caps included.

Paseo | Adjustable mounting clips



Adjustable mounting clips

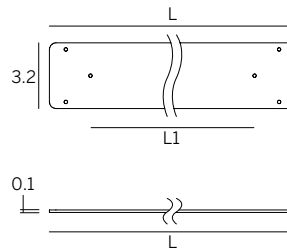


E98771

Pair of fastening clips made of transparent polycarbonate to install the fixture in an even horizontal mounting surface. A directional accessory that allows Paseo tilt movement from +90° to -90°.



Mounting plate for uneven horizontal surfaces (ordered separately)



L inches	L1 inches	
11.8 in	7.9 in	E98772

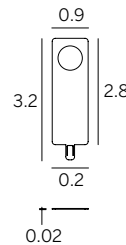
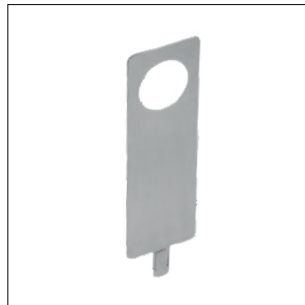
Plate for 20.2 or 20.7" Paseo fixtures

L inches	L1 inches	
37.4 in	33.5 in	E98773

Plate for 45.4 or 57.2" Paseo fixtures

The plate, without fixing it to the surface, can be used as a mobile support for the adjustable clips and fixture. Clips not included in codes E98772 - E98773 (ordered separately)

Paseo | Extraction key



E98475

The Paseo extraction key (ordered separately) allows its removal from the outer housing. Compatible with all Paseo outer housings.