

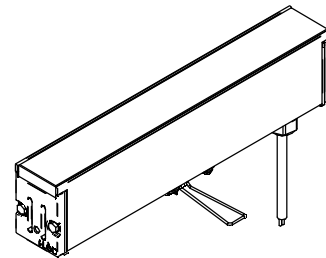
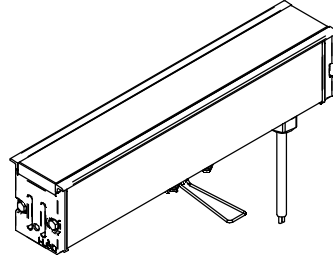
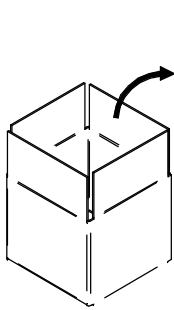


## XENIA BLADE



### XENIA\_RAF BLADE

### XENIA\_RF BLADE



**WARNING:**

INSTALL PRODUCT IN ACCORDANCE WITH LOCAL AND NATIONAL ELECTRICAL CODES BY A QUALIFIED ELECTRICIAN



**WARNING:**

FAILURE TO COMPLY WITH THE INSTALLATION INSTRUCTIONS MAY RESULT IN DEATH OR SEVERE INJURY.



**WARNING:**

READ ALL SAFETY INSTRUCTIONS INCLUDED WITH LUMINAIRE BEFORE INSTALLING LUMINAIRE. SAVE INSTRUCTIONS FOR FUTURE USE.

**CAUTION:**

THIS IS AN ELECTRONIC DEVICE. CARE MUST BE TAKEN DURING STORAGE AND HANDLING. STORE IN A CLEAN, COOL AND DRY LOCATION. ELECTROSTATIC DISCHARGE (ESD) CAN HARM THIS PRODUCT. AVOID STATIC DISCHARGE WHILE HANDLING THIS PRODUCT.

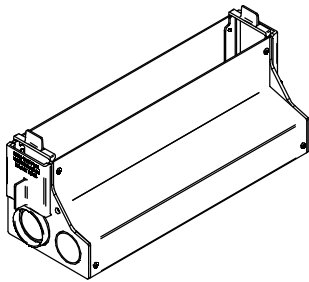
**CAUTION:**

INTER-LUX IS NOT RESPONSIBLE FOR THE STRUCTURAL INTEGRITY OF THE BUILDING TO SUPPORT THE LUMINAIRE. ADDITIONAL BACKING MAY BE REQUIRED.

LOCATE AND REVIEW ANY CONSTRUCTION PLANS AND INTER-LUX RECORD DRAWINGS FOR ALL FIXTURE RUNS. IT IS RECOMMENDED TO LOCARE AND LAY OUT ALL COMPONENTS FOR EACH FIXTURE "RUN". A FIXTURE RUN TYPICALLY CONSISTS OF JOINERS, LENGTHS OF HOUSING, AND ENDCAPS. BE SURE TO IDENTIFY ALL CORRECT LENGTHS FOR EACH FIXTURE RUN.

## INSTALLATION INSTRUCTIONS

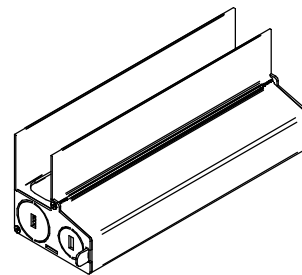
### E99932



For XENIA\_RAF BLADE

- 1x 3/4" Conduit KO
- 1x 1/2" Conduit KO

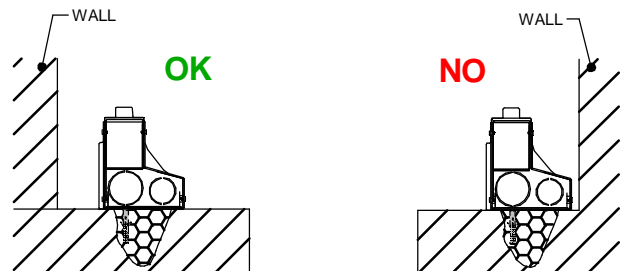
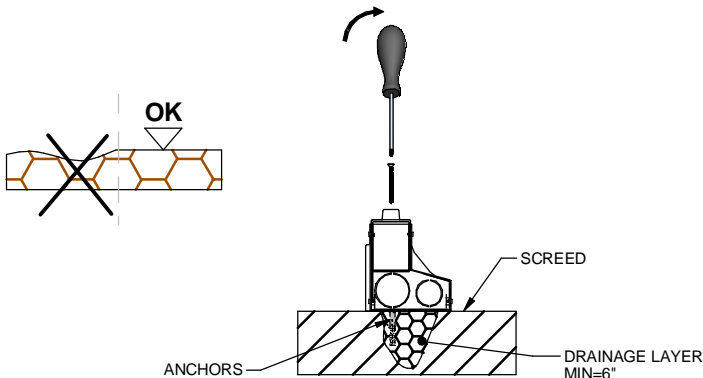
### E99933



For XENIA\_RF BLADE

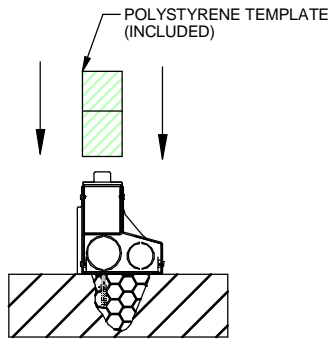
- 1x 3/4" Conduit KO
- 1x 1/2" Conduit KO

#### 1) FIX THE OUTER CASING TO THE SCREED

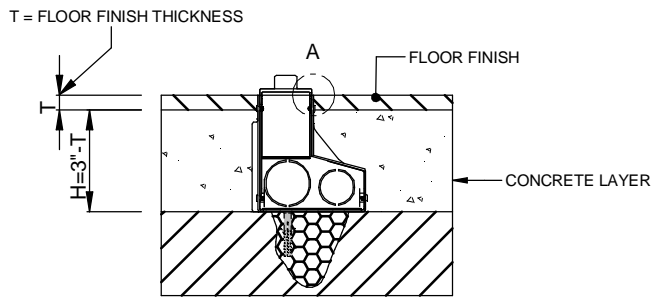


**SCREWS AND ANCHORS NOT INCLUDED**

2) INSERT THE POLYSTYRENE TEMPLATE INTO THE OUTER CASING BEFORE THE CONCRETE CASTING



3) POUR THE CONCRETE AND INSTALL THE FLOOR FINISH. RESPECT THE DIMENSIONS BELOW. THE EDGE OF THE OUTER CASING MUST BE FLUSH WITH THE FLOOR FINISH.

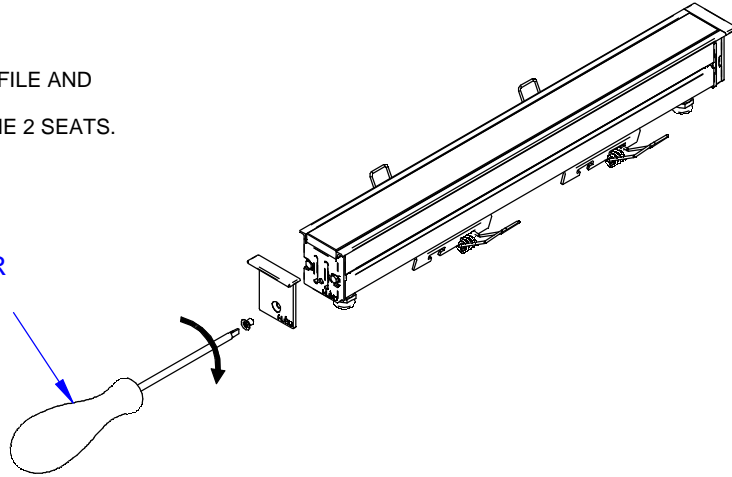


**FOR XENIA RAF ONLY**

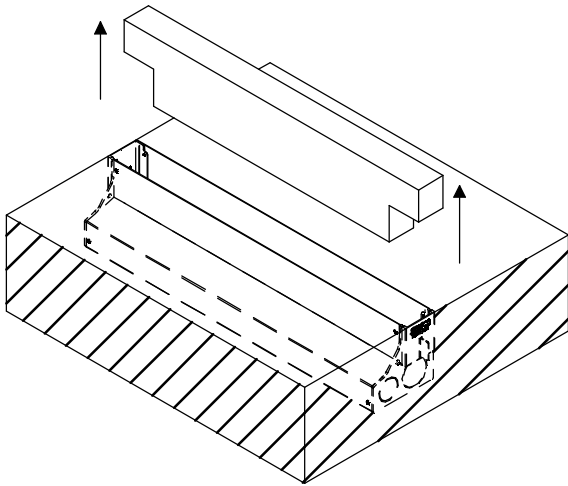
4) INSTALL THE END CAPS (E99766)

PLACE THE CAP ON THE XENIA PROFILE AND TIGHTEN THE SCREW (INCLUDED). THE CAP IS SELF-CENTERING ON THE 2 SEATS.

PHILLIPS HEAD SCREWDRIVER (NOT INCLUDED)

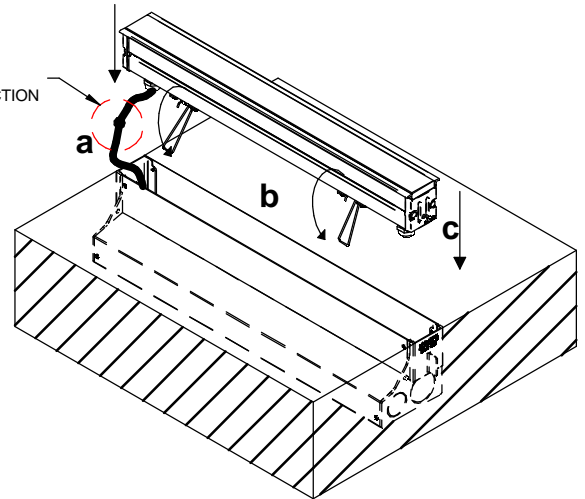


5) REMOVE THE POLYSTYRENE TEMPLATE



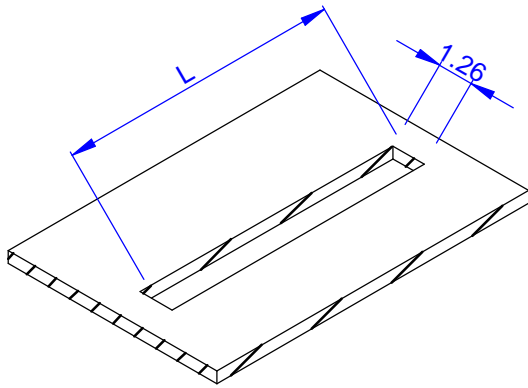
6) CONNECT THE FIXTURES AND INSERT THEM INTO THE CASINGS ROTATING THE SPRINGS

ATTENTION!!!  
MAKE A WATERPROOF CONNECTION  
TO PREVENT WATER WICKING



# CEILING INSTALLATION WITH E99818 SPRINGS (NO OUTER CASINGS REQUIRED)

1) CUT THE CORRECT SIZE OPENING IN THE CEILING.



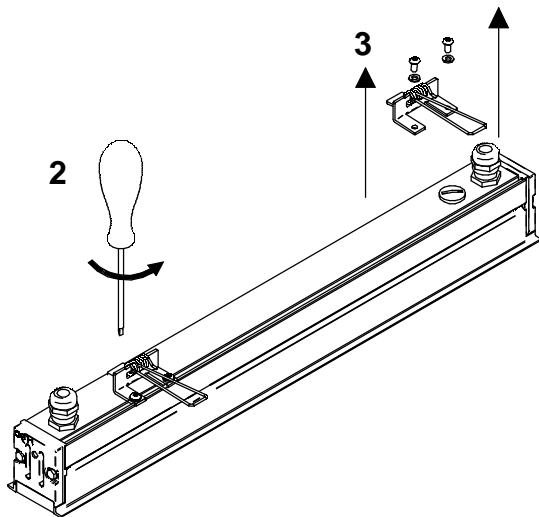
	L (in)
XENIA WITH NO CAPS	14.13
XENIA + 1 CAP	14.23
XENIA + 2 CAPS	14.33

To calculate L you have to make the sum of the different Xenia lengths. For example:

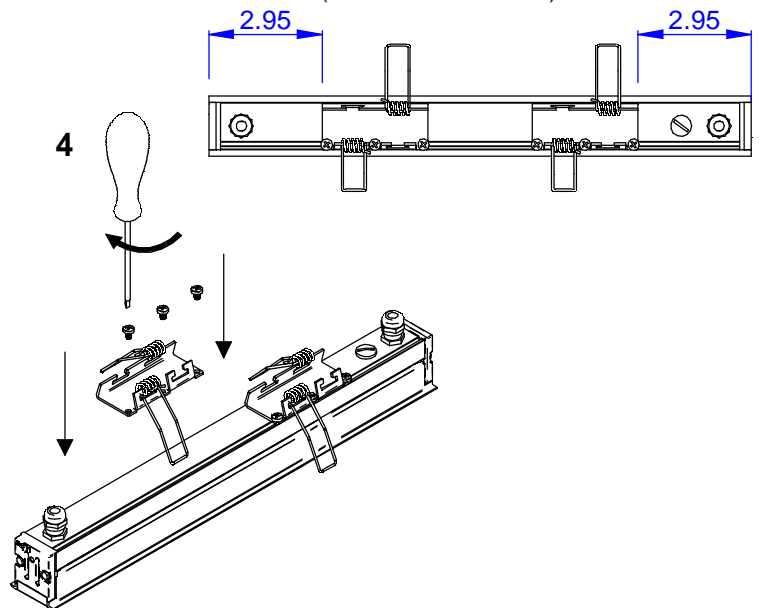
- single fixture installation: "XENIA + 2 CAPS" size
- single run made of 2 fixtures: "XENIA + 1 CAP" + "XENIA + 1 CAP"
- single run made of multiple fixtures: "XENIA + 1 CAP" + "XENIA WITH NO CAPS" x N. OF FIXTURES IN THE MIDDLE + "XENIA + 1 CAP"

2) LOOSEN THE SPRINGS FIXING SCREWS

3) REMOVE THE BRACKETS+SPRINGS

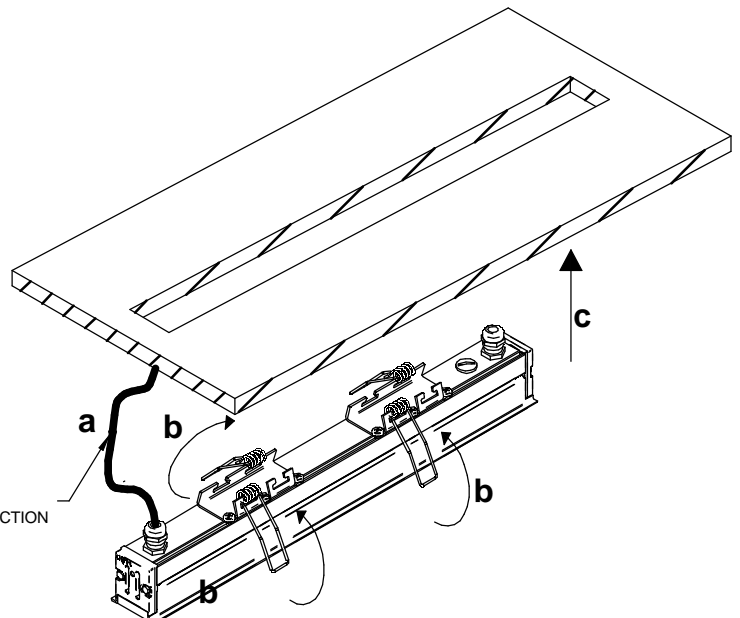


4) MOUNT THE E99818 CEILING SPRINGS KIT RESPECTING THE MEASUREMENTS BELOW. SCREWS ARE INCLUDED IN THE E99818 KIT. USE A PHILLIPS SCREWDRIVER (TOOL NOT INCLUDED)



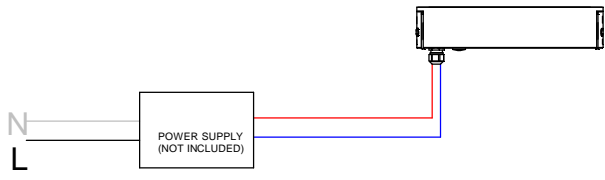
5) FIXTURE INSTALLATION

- a) Make the connections
- b) Rotate the springs
- c) Insert the fixture into the opening

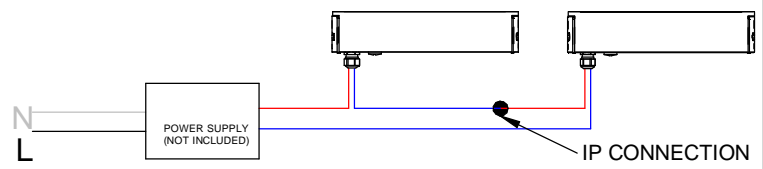


ATTENTION!!!  
MAKE A WATERPROOF CONNECTION  
TO PREVENT WATER WICKING

SINGLE FIXTURE



MULTIPLE FIXTURE WIRED IN SERIES (Constant Current)



The number of fixtures on a single output will vary depending on the specific LED driver.  
 Refer to the specific wiring diagram on <https://www.inter-lux.com/wiring-diagrams/> and the Constant Current Fixtures per driver table.

XENIA BLADE Drive current level for each fixture:  
 6W fixture driven @ 500mA

<i>Secondary Cable Colors</i>	<i>Pole</i>
Red wire	+
Blue wire	-

THIS PRODUCT MUST BE INSTALLED IN ACCORDANCE WITH THE APPLICABLE INSTALLATION CODE BY A PERSON FAMILIAR WITH THE CONSTRUCTION AND OPERATION OF THE PRODUCT AND THE HAZARDS INVOLVED

MOUNTING INSTRUCTIONS

READ ALL OF THESE INSTRUCTIONS BEFORE INSTALLING FIXTURES

- CAUTION: USE ONLY WITH CLASS 2 POWER UNIT
- Keep all of the instructions for future reference
- Turn off power before installing fixture
- Installation is to be performed by a qualified electrician only
- All installations must conform to the National Electrical Code as well as all local jurisdictional codes and regulations
- Any modification of the luminaire will void any and all written or implied warranties
- The manufacture accepts no responsibility for damage to persons or property arising through improper use or installation

## Constant Current Fixtures per Driver

mA	W	Max. number of fixtures PER OUTPUT (fixtures wired in series)	Max. total fixtures per ECO30W driver (1x output/driver)	Max. total fixtures per SOLO50W driver (2x outputs/driver)	Max. total fixtures per SOLO100W driver (4x outputs/driver)
180mA	7.0W	1	1	2	4
200mA	7.5W	1	1	2	4
220mA	0.6W	10	10	20	40
220mA	0.7W	10	10	20	40
220mA	1.9W	5	5	10	20
220mA	8.0W	1	1	2	4
220mA	9.0W	1	1	2	4
250mA	3.0W	3	3	6	12
300mA	12.0W	1	1	2	4
350mA	1.0W	10	10	20	40
350mA	1.5W	10	10	20	40
350mA	3.0W	5	5	10	20
350mA	4.0W	3	3	6	12
350mA	4.2W	3	3	6	12
350mA	12.0W	1	1	2	4
350mA	13.0W	1	1	2	4
400mA	15.0W	1	1	2	4
450mA	16.0W	1	1	2	4
500mA	1.5W	10	10	20	40
500mA	4.5W	4	4	8	16
500mA	6.0W	3	3	6	12
500mA	6.5W	3	3	4	8
500mA	9.0W	2	2	4	8
500mA	13.0W	1	1	2	4
500mA	14.0W	1	1	2	4
500mA	18.0W	1	1	2	4
500mA	20.0W	1	1	2	4
570mA	63.0W	-	-	-	1
580mA	20.0W	1	1	2	4
630mA	2.0W	10	10	16	32
630mA	2.0W	10	10	16	32
630mA	4.0W	6	6	10	20
630mA	6.0W	3	3	6	12
630mA	7.0W	3	3	4	8
630mA	7.2W	3	3	4	8
630mA	7.5W	3	3	4	8
630mA	8.0W	3	3	4	8
630mA	9.0W	2	2	4	8
630mA	12.0W	2	2	2	4
630mA	18.0W	1	1	2	4
630mA	23.0W	1	1	1	3
630mA	24.0W	1	1	1	3
660mA	45.0W	-	-	-	1
700mA	2.0W	10	10	16	32
700mA	6.3W	3	3	6	12
700mA	6.5W	3	3	4	8
700mA	8.0W	3	3	4	8
700mA	13.0W	1	1	2	4
700mA	21.0W	1	1	1	3
700mA	24.0W	1	1	1	3
700mA	25.0W	-	-	1	3
800mA	10.0W	2	2	2	4
840mA	30.0W	-	-	1	2
850mA	60.0W	-	-	-	1
900mA	33.0W	-	-	1	2
900mA	40.0W	-	-	1	2
900mA	42.0W	-	-	1	2
950mA	34.0W	-	-	1	2
950mA	35.0W	-	-	1	2
1050mA	48.0W	-	-	-	1
1250mA	45.0W	-	-	-	1
1250mA	46.0W	-	-	-	1
1300mA	46.0W	-	-	-	1
1850mA	54.0W	-	-	-	1

Consult factory for any combination not listed above.