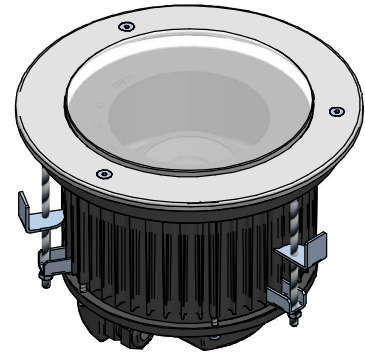
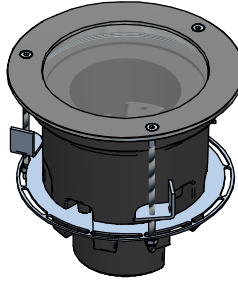
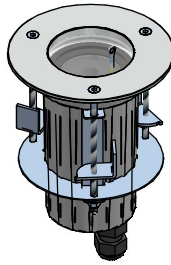
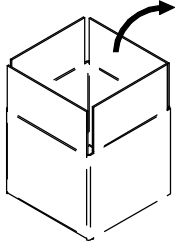


GUARDIAN

SMALL

MEDIUM

BIG

**WARNING:**

INSTALL PRODUCT IN ACCORDANCE WITH LOCAL AND NATIONAL ELECTRICAL CODES BY A QUALIFIED ELECTRICIAN

**WARNING:**

FAILURE TO COMPLY WITH THE INSTALLATION INSTRUCTIONS MAY RESULT IN DEATH OR SEVERE INJURY.

**WARNING:**

READ ALL SAFETY INSTRUCTIONS INCLUDED WITH LUMINAIRE BEFORE INSTALLING LUMINAIRE. SAVE INSTRUCTIONS FOR FUTURE USE.

CAUTION:

THIS IS AN ELECTRONIC DEVICE. CARE MUST BE TAKEN DURING STORAGE AND HANDLING. STORE IN A CLEAN, COOL AND DRY LOCATION. ELECTROSTATIC DISCHARGE (ESD) CAN HARM THIS PRODUCT. AVOID STATIC DISCHARGE WHILE HANDLING THIS PRODUCT.

CAUTION:

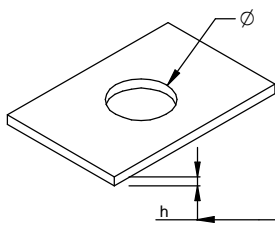
INTER-LUX IS NOT RESPONSIBLE FOR THE STRUCTURAL INTEGRITY OF THE BUILDING TO SUPPORT THE LUMINAIRE. ADDITIONAL BACKING MAY BE REQUIRED.

GUARDIAN	POWER	OUTERCASING
SMALL	7,2W	99673
MEDIUM	12,6W	99674
BIG	30W	99675

LOCATE AND REVIEW ANY CONSTRUCTION PLANS AND INTER-LUX RECORD DRAWINGS FOR ALL FIXTURE RUNS. IT IS RECOMMENDED TO LOCARE AND LAY OUT ALL COMPONENTS FOR EACH FIXTURE "RUN". A FIXTURE RUN TYPICALLY CONSISTS OF JOINERS, LENGTHS OF HOUSING, AND ENDCAPS. BE SURE TO IDENTIFY ALL CORRECT LENGTHS FOR EACH FIXTURE RUN.

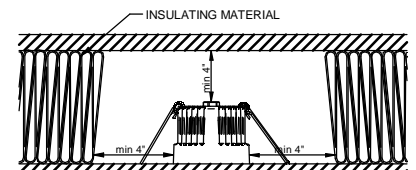
INSTALLATION INSTRUCTIONS**1**

**HOLE DIMENSION ONLY FOR CEILING INSTALLATION WITHOUT OUTERCASING
FOR OUTERCASING INSTALLATION READ THE OUTERCASING INSTALLATION INTRUCTIONS**

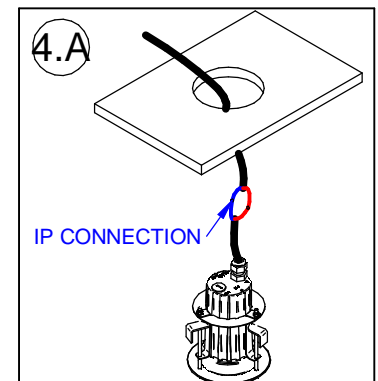
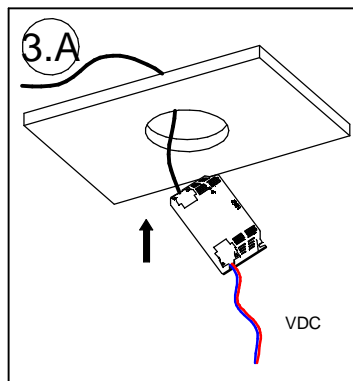
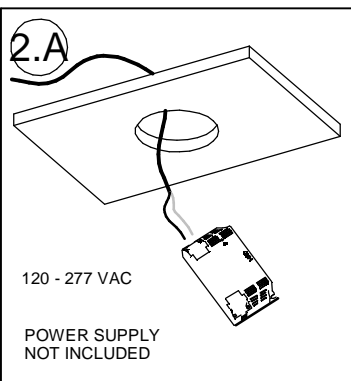


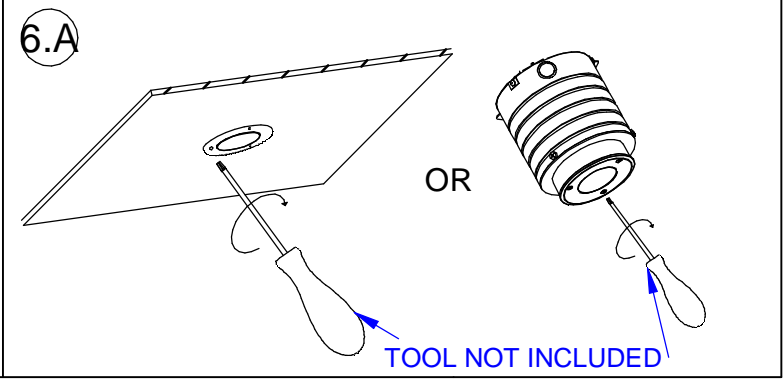
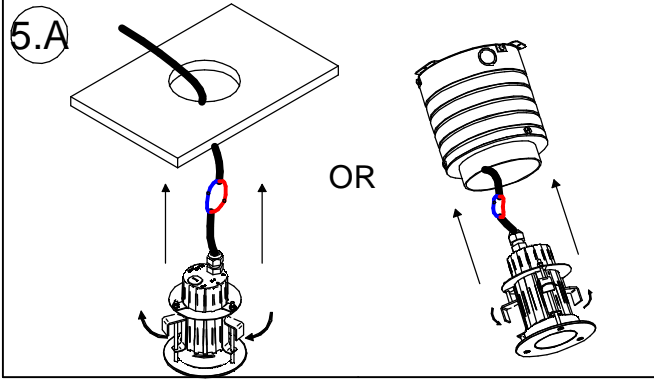
0,08" MINIMUM ON METAL SHEET / 0,4" MINIMUM ON PLASTERBOARD

GUARDIAN	POWER	HOLE DIMENSION
SMALL	7,2W	Ø3,78"
MEDIUM	12,6W	Ø5,71"
BIG	30W	Ø8,35"

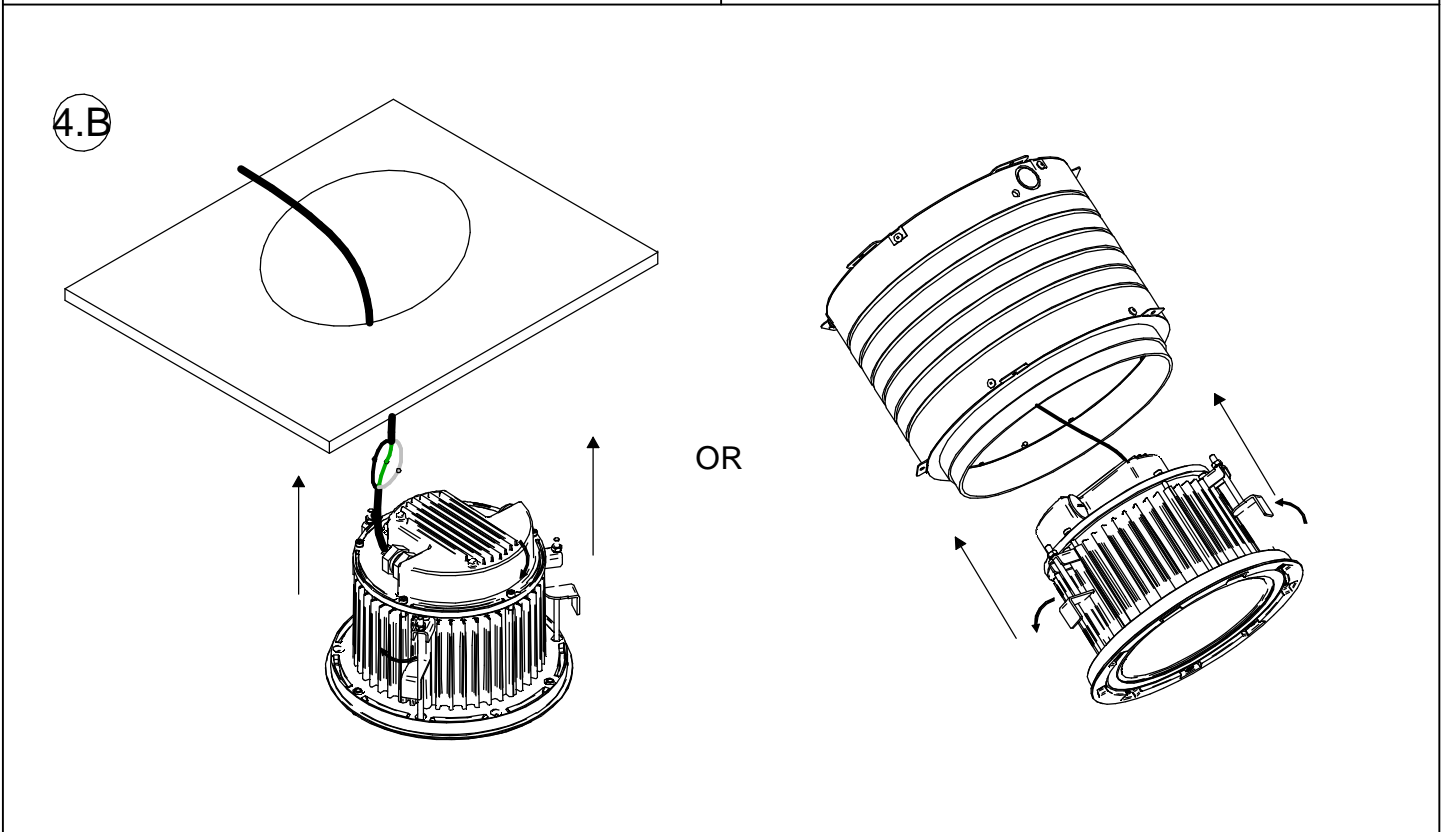
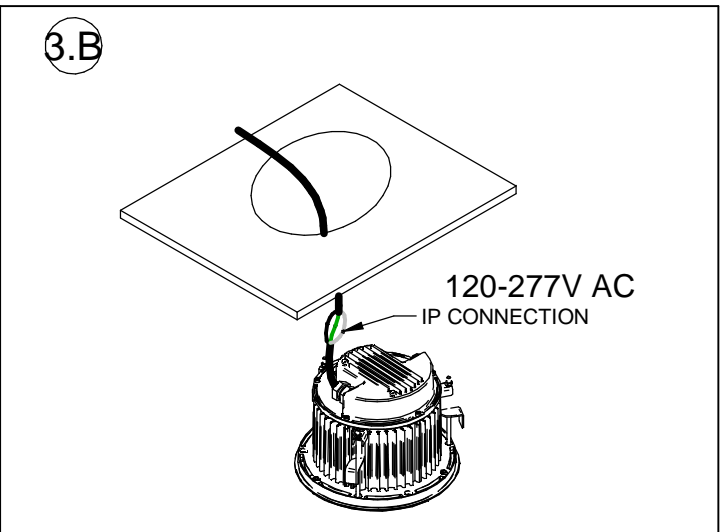
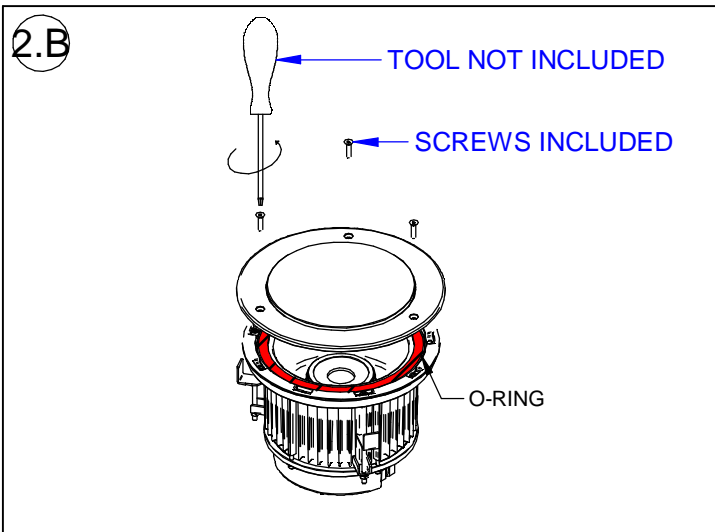


- Recommended minimum distance from ceiling / insulator
- Do not cover the product with insulating material.

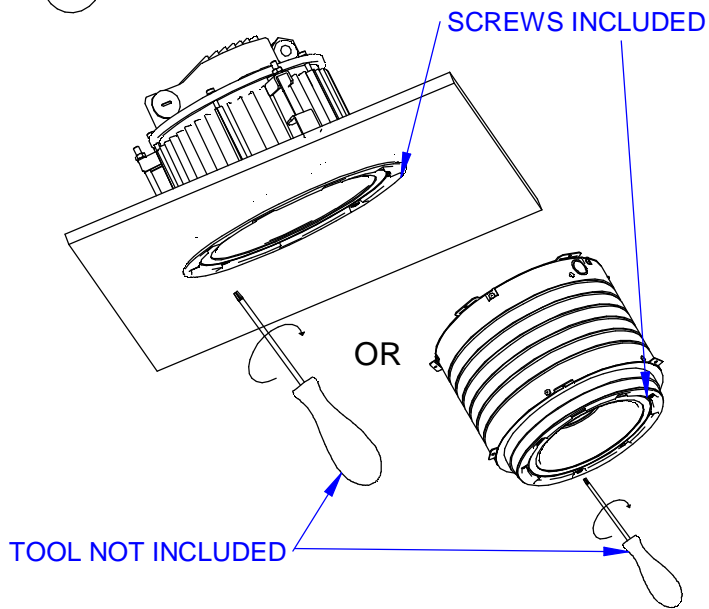
ONLY FOR SMALL AND MEDIUM GUARDIAN



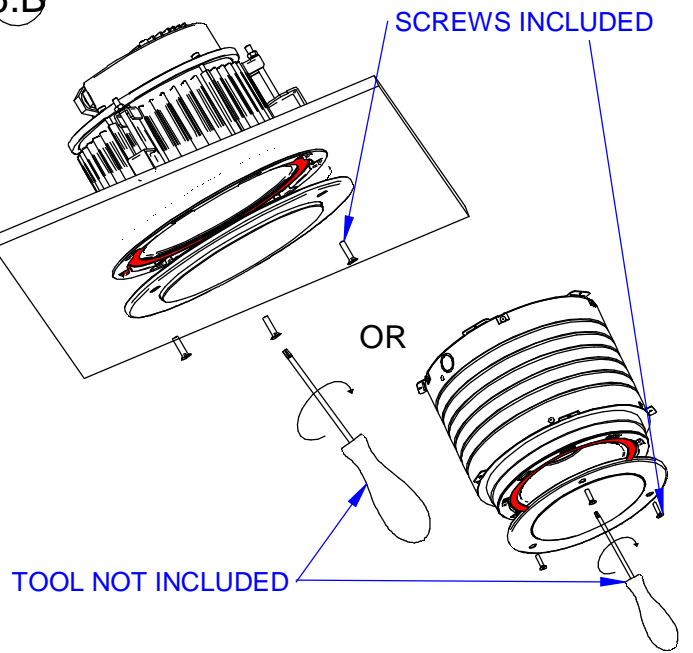
ONLY FOR BIG GUARDIAN



5.B

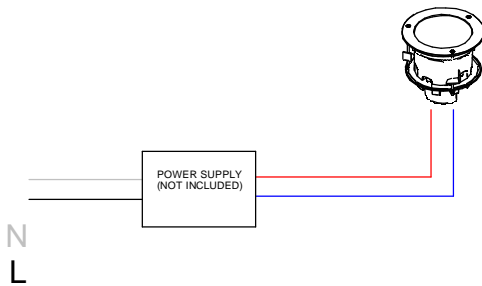


6.B

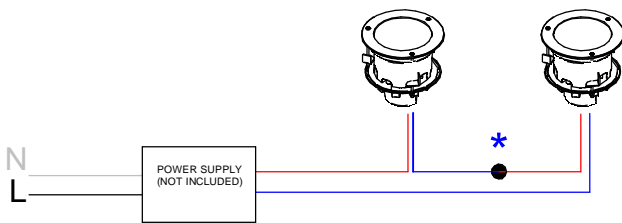


WIRING DIAGRAM

SINGLE GUARDIAN CONNECTION



MULTIPLE SERIAL CONNECTION FOR GUARDIAN



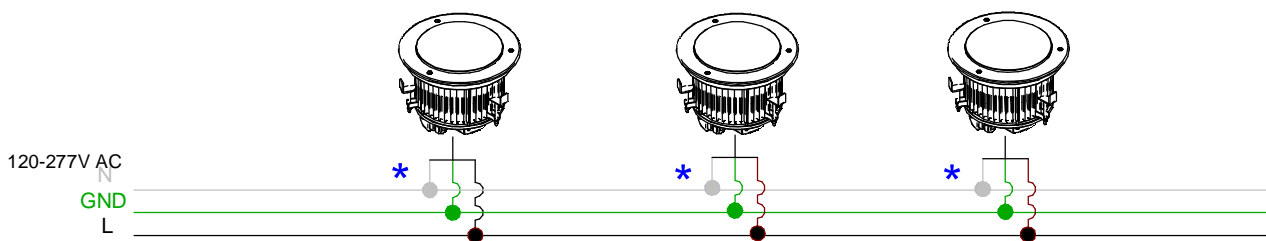
*** IP CONNECTION**

The number of fixtures on a single output will vary depending on the specific LED driver.
Refer to the specific wiring diagram on <https://www.inter-lux.com/wiring-diagrams/> and the Constant Current Fixtures per driver table.

GUARDIAN Drive current level for each fixture:

- 7.2W fixture driven @ 630mA
- 12.6W fixture driven @ 350mA

MULTIPLE CONNECTION (GUARDIAN WITH INTEGRAL DRIVER)



THIS PRODUCT MUST BE INSTALLED IN ACCORDANCE WITH THE APPLICABLE INSTALLATION CODE BY A PERSON FAMILIAR WITH THE CONSTRUCTION AND OPERATION OF THE PRODUCT AND THE HAZARDS INVOLVED

MOUNTING INSTRUCTIONS

READ ALL OF THESE INSTRUCTIONS BEFORE INSTALLING FIXTURES

- CAUTION: USE ONLY WITH CLASS 2 POWER UNIT
- Keep all of the instructions for future reference
- Turn off power before installing fixture
- Installation is to be performed by a qualified electrician only
- All installations must conform to the National Electrical Code as well as all local jurisdictional codes and regulations
- Any modification of the luminaire will void any and all written or implied warranties
- The manufacture accepts no responsibility for damage to persons or property arising through improper use or installation

GUARDIAN INSTALLATION SEQUENCE (CEILING INSTALLATION WITHOUT OUTERCASING)

- Cut correct size opening in ceiling (1) or install the outercasing (not included)

ONLY FOR SMALL AND MEDIUM GUARDIAN

- Mount remote driver in accessible well ventilated space (2.A) (3.A)
- Ensure power is off before connecting driver to line voltage
- Connect secondary wiring to fixture wiring (4.A)
- Rotate 90° clockwise the three little brackets and insert the article into the ceiling opening or into the outercasing (5.A)
- Tighten the screws, the brackets automatically return to the correct position (6.A)
- WARNING: Be sure secondary wiring is connected to driver BEFORE energizing to avoid LED failure
- Energize

ONLY FOR BIG GUARDIAN

- Unscrew and remove the flange and the glass. Pay attention to the keep the O-Ring in its right position, between the body and the glass (2.B)
- Connect the fixture to the power supply (3.B)
- Rotate 90° clockwise the three little brackets and insert the article into the ceiling opening or into the outercasing (4.B)
- Tighten the screws, the brackets automatically return to the correct position (5.B)
- Reassemble the glass and flange and tighten the screws. Pay attention to the keep the O-Ring in its right position, between the body and the glass (6.B)
- WARNING: Be sure secondary wiring is connected to driver BEFORE energizing to avoid LED failure
- Energize

Secondary Cable Colours	Pole
Red wire	+
Blue wire	-
Mains Cable Colours	Pole
Black wire	L
White wire	N
Green wire	Earth

Constant Current Fixtures per Driver

mA	W	Max. number of fixtures PER OUTPUT (fixtures wired in series)	Max. total fixtures per ECO30W driver (1x output/driver)	Max. total fixtures per SOLO50W driver (2x outputs/driver)	Max. total fixtures per SOLO100W driver (4x outputs/driver)
180mA	7.0W	1	1	2	4
200mA	7.5W	1	1	2	4
220mA	0.6W	10	10	20	40
220mA	0.7W	10	10	20	40
220mA	1.9W	5	5	10	20
220mA	8.0W	1	1	2	4
220mA	9.0W	1	1	2	4
250mA	3.0W	3	3	6	12
300mA	12.0W	1	1	2	4
350mA	1.0W	10	10	20	40
350mA	1.5W	10	10	20	40
350mA	3.0W	5	5	10	20
350mA	4.0W	3	3	6	12
350mA	4.2W	3	3	6	12
350mA	12.0W	1	1	2	4
350mA	13.0W	1	1	2	4
400mA	15.0W	1	1	2	4
450mA	16.0W	1	1	2	4
500mA	1.5W	10	10	20	40
500mA	4.5W	4	4	8	16
500mA	6.0W	3	3	6	12
500mA	6.5W	3	3	4	8
500mA	9.0W	2	2	4	8
500mA	13.0W	1	1	2	4
500mA	14.0W	1	1	2	4
500mA	18.0W	1	1	2	4
500mA	20.0W	1	1	2	4
570mA	63.0W	-	-	-	1
580mA	20.0W	1	1	2	4
630mA	2.0W	10	10	16	32
630mA	2.0W	10	10	16	32
630mA	4.0W	6	6	10	20
630mA	6.0W	3	3	6	12
630mA	7.0W	3	3	4	8
630mA	7.2W	3	3	4	8
630mA	7.5W	3	3	4	8
630mA	8.0W	3	3	4	8
630mA	9.0W	2	2	4	8
630mA	12.0W	2	2	2	4
630mA	18.0W	1	1	2	4
630mA	23.0W	1	1	1	3
630mA	24.0W	1	1	1	3
660mA	45.0W	-	-	-	1
700mA	2.0W	10	10	16	32
700mA	6.3W	3	3	6	12
700mA	6.5W	3	3	4	8
700mA	8.0W	3	3	4	8
700mA	13.0W	1	1	2	4
700mA	21.0W	1	1	1	3
700mA	24.0W	1	1	1	3
700mA	25.0W	-	-	1	3
800mA	10.0W	2	2	2	4
840mA	30.0W	-	-	1	2
850mA	60.0W	-	-	-	1
900mA	33.0W	-	-	1	2
900mA	40.0W	-	-	1	2
900mA	42.0W	-	-	1	2
950mA	34.0W	-	-	1	2
950mA	35.0W	-	-	1	2
1050mA	48.0W	-	-	-	1
1250mA	45.0W	-	-	-	1
1250mA	46.0W	-	-	-	1
1300mA	46.0W	-	-	-	1
1850mA	54.0W	-	-	-	1

Consult factory for any combination not listed above.