**WARNING:**

INSTALL PRODUCT IN ACCORDANCE WITH LOCAL AND NATIONAL ELECTRICAL CODES BY A QUALIFIED ELECTRICIAN

**WARNING:**

FAILURE TO COMPLY WITH THE INSTALLATION INSTRUCTIONS MAY RESULT IN DEATH OR SEVERE INJURY.

**WARNING:**

READ ALL SAFETY INSTRUCTIONS INCLUDED WITH LUMINAIRE BEFORE INSTALLING LUMINAIRE. SAVE INSTRUCTIONS FOR FUTURE USE.

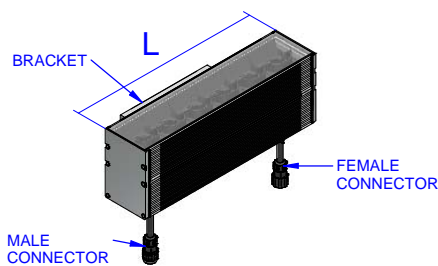
CAUTION:

THIS IS AN ELECTRONIC DEVICE. CARE MUST BE TAKEN DURING STORAGE AND HANDLING. STORE IN A CLEAN, COOL AND DRY LOCATION. ELECTROSTATIC DISCHARGE (ESD) CAN HARM THIS PRODUCT. AVOID STATIC DISCHARGE WHILE HANDLING THIS PRODUCT.

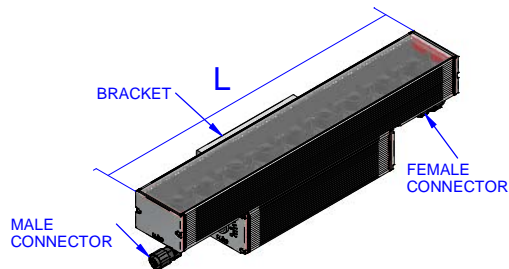
CAUTION:

INTER-LUX IS NOT RESPONSIBLE FOR THE STRUCTURAL INTEGRITY OF THE BUILDING TO SUPPORT THE LUMINAIRE. ADDITIONAL BACKING MAY BE REQUIRED.

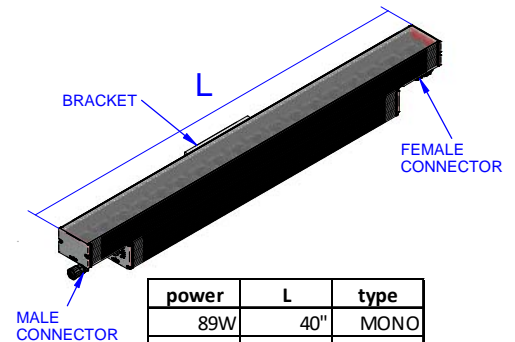
LOCATE AND REVIEW ANY CONSTRUCTION PLANS AND INTER-LUX RECORD DRAWINGS FOR ALL FIXTURE RUNS. IT IS RECOMMENDED TO LOCARE AND LAY OUT ALL COMPONENTS FOR EACH FIXTURE "RUN". A FIXTURE RUN TYPICALLY CONSISTS OF JOINERS, LENGTHS OF HOUSING, AND ENDCAPS. BE SURE TO IDENTIFY ALL CORRECT LENGTHS FOR EACH FIXTURE RUN.

INSTALLATION INSTRUCTIONS

| power | L | type |
|-------|-----|------|
| 35W | 14" | MONO |
| 30W | 14" | RGBW |

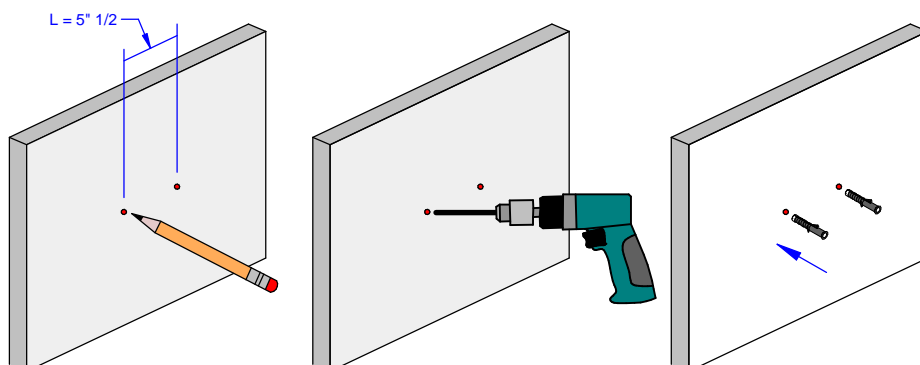
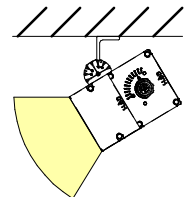
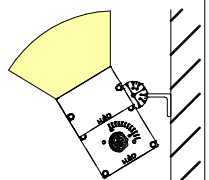


| power | L | type |
|-------|-------|------|
| 51W | 20.3" | MONO |
| 44W | 20.3" | RGBW |

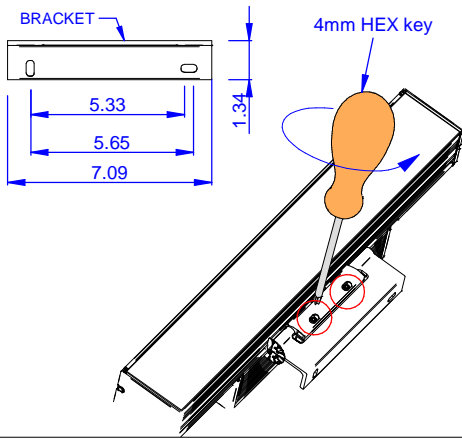


| power | L | type |
|-------|-----|------|
| 89W | 40" | MONO |
| 86W | 40" | RGBW |

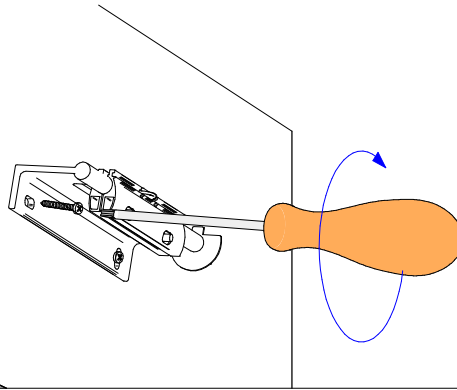
- 1 Drill the holes on the wall/ceiling and insert the plugs (not included).

**A. CEILING****B. WALL**

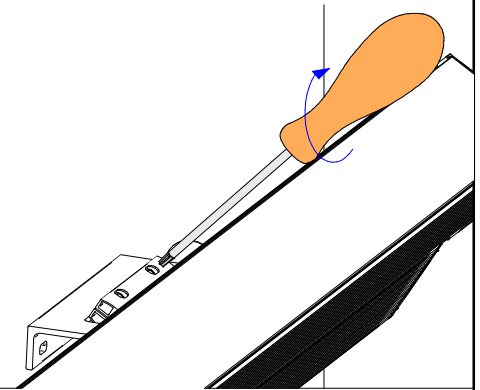
② Loosen the screws and remove the bracket



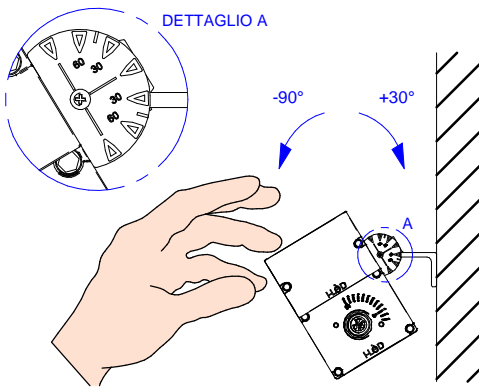
③ Mount the bracket on the wall/ceiling



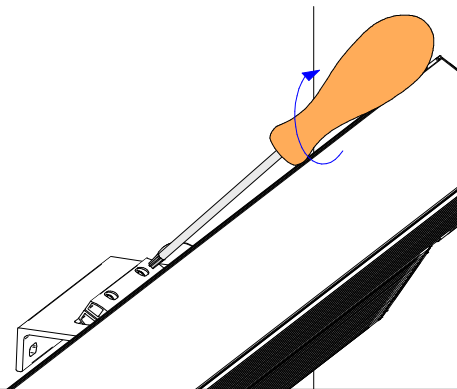
④ Mount the Archiline on the bracket. Do not tighten the screws.



⑤ Set the tilt angle.

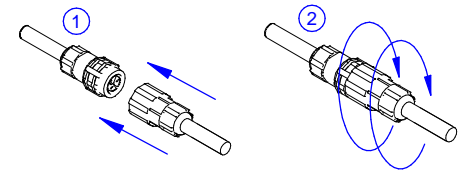


⑥ Tighten the screws to lock the Archiline in position.

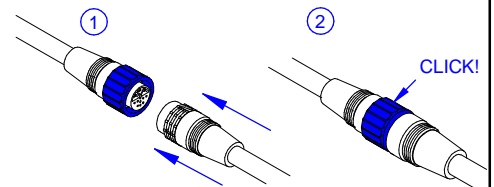


⑦

Archiline PRO_W MONO



Archiline PRO_W WRGB



THIS PRODUCT MUST BE INSTALLED IN ACCORDANCE WITH THE APPLICABLE INSTALLATION CODE BY A PERSON FAMILIAR WITH THE CONSTRUCTION AND OPERATION OF THE PRODUCT AND THE HAZARDS INVOLVED

MOUNTING INSTRUCTIONS

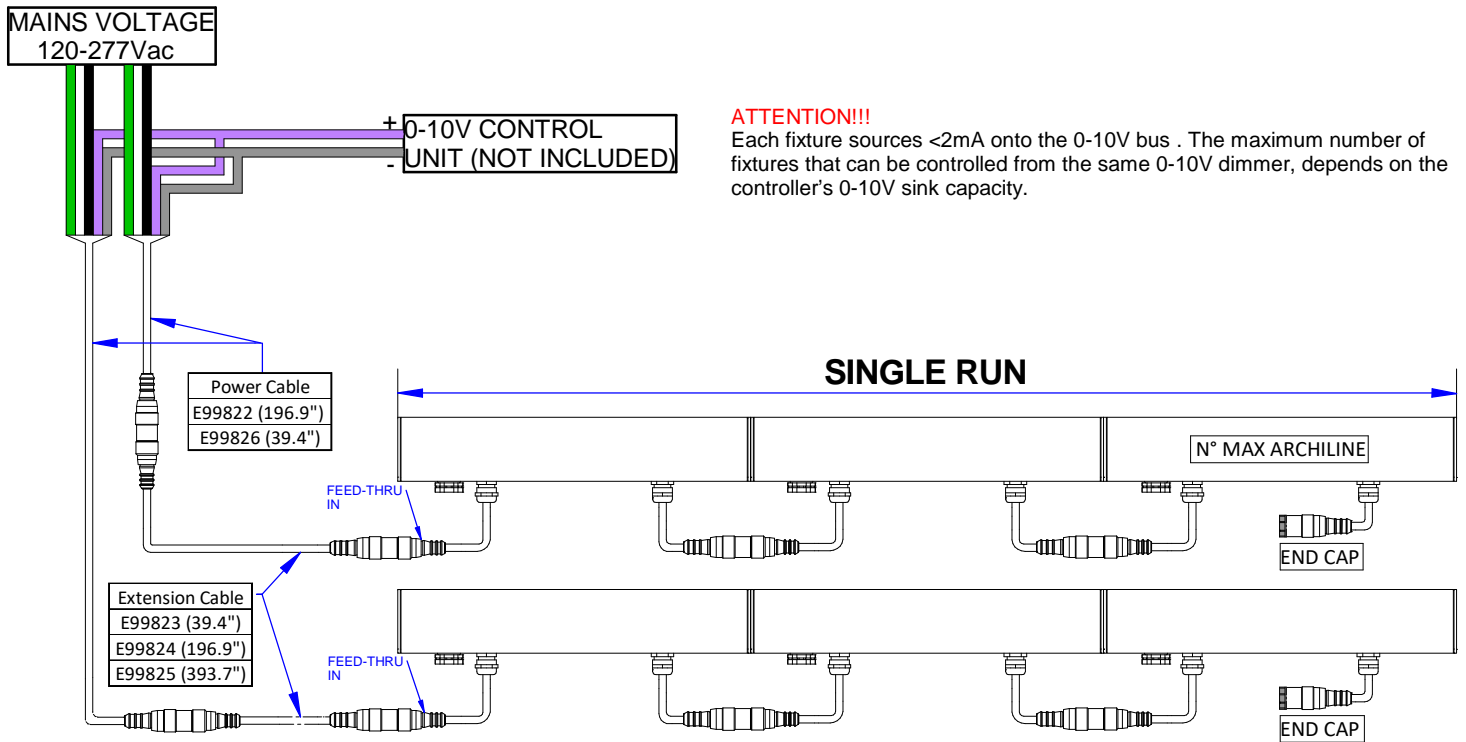
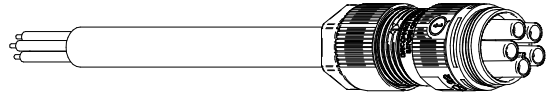
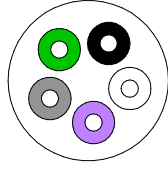
READ ALL OF THESE INSTRUCTIONS BEFORE INSTALLING FIXTURES

- CAUTION: USE ONLY WITH CLASS 2 POWER UNIT
- Keep all of the instructions for future reference
- Turn off power before installing fixture
- Installation is to be performed by a qualified electrician only
- All installations must conform to the National Electrical Code as well as all local jurisdictional codes and regulations
- Any modification of the luminaire will void any and all written or implied warranties
- The manufacture accepts no responsibility for damage to persons or property arising through improper use or installation

0-10V VERSION WIRING DIAGRAM

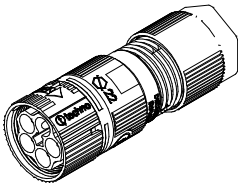
POWER CABLE E99822 (196.9") / E99826 (39.4")

BLACK = L
 WHITE = N
 GREEN = EARTH
 PURPLE = 0-10V +
 GREY = 0-10V -

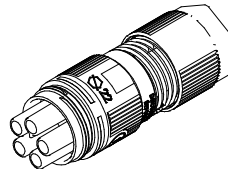


FEED-THRU CONNECTORS

"IN" SIDE



"OUT" SIDE



| MODEL | ARCHILINE PRO_W | | |
|---|--|------|----|
| LENGTH (in) | 14 | 20.3 | 40 |
| MAX N° ARCHILINE CONNECTABLE ON A SINGLE RUN @ 120Vac | 22 | 16 | 8 |
| MAX N° ARCHILINE CONNECTABLE ON A SINGLE RUN @ 277Vac | 50 | 35 | 17 |
| SINGLE RUN MAX LENGHT | 82ft @277Vac, 41ft @120Vac NOTE: SINGLE RUN MAX | | |

RGBW DMX VERSION WIRING DIAGRAM

ALLinONE Power and DMX cable

| connectors | sec. Ø |
|------------|-------------------------------------|
| F 6 pin | 3 x 15 awg + 2 x 24 awg + shield |
| L ft | |
| 3.28 | E98660 |
| 16.40 | E98661 |



ALLinONE extension power and DMX cable

| connectors | sec. Ø |
|-------------|-------------------------------------|
| M / F 6 pin | 3 x 15 awg + 2 x 24 awg + shield |
| L ft | |
| 3.28 | E98662 |
| 16.40 | E98663 |



Connector | DMX 120 Ω Terminator



E98986
It is mandatory to install this terminator at the end of a single run

IP6X splice box wiring (Splice box by others)



Start of run splice (for merging power and DMX into ALLinOne feed cable):

| input | output |
|---------------------------------|---|
| ① 3 x 15 awg (for power supply) | ③ ALLinONE F 3 x 15 awg + 2 x 24 awg + shield |
| ② 2 x 23 awg (for DMX) + shield | |

E98985



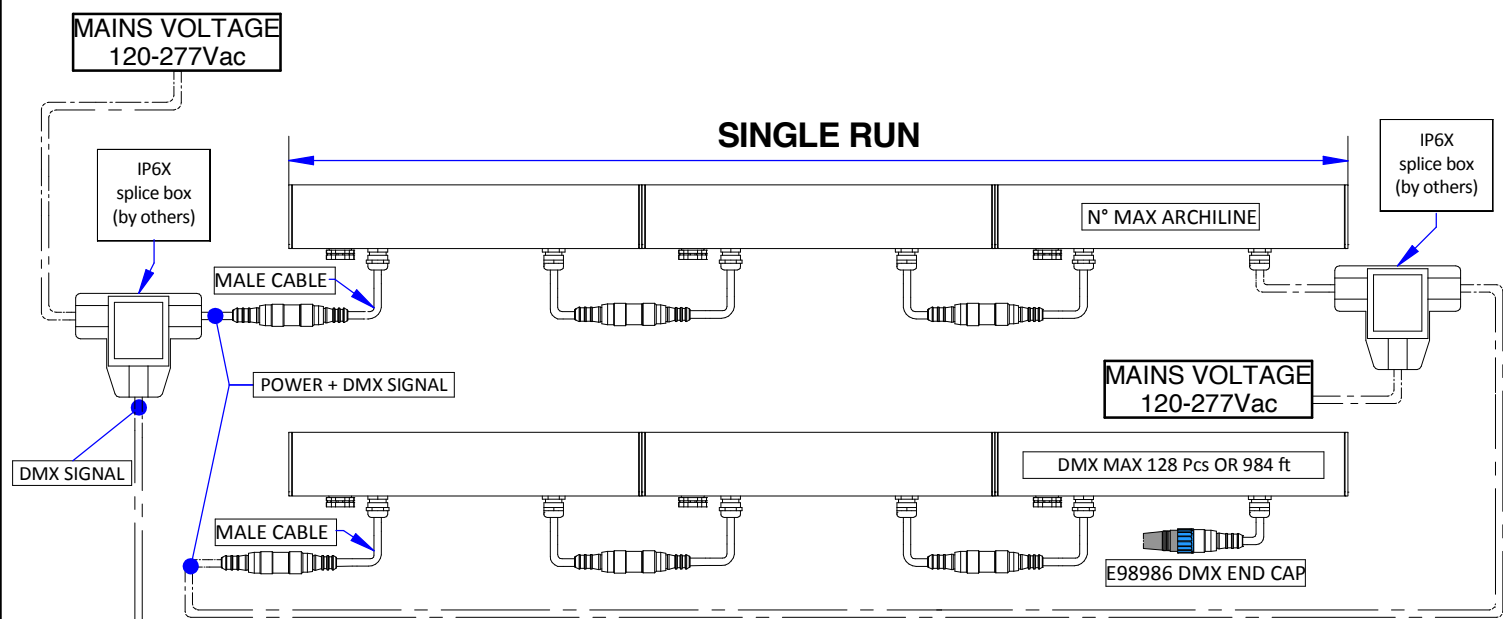
Middle of run splice (for additional power circuit):

| input | output |
|--|---|
| ① ALLinONE M 3 x 15 awg + 2 x 24 awg + shield | ③ ALLinONE F 3 x 15 awg + 2 x 24 awg + shield |
| ② 3 x 15 awg (for power supply) | |

E99390



| Secondary Cable Colors | Pole |
|------------------------|----------|
| Red wire | DMX+ (A) |
| White wire | DMX- (B) |
| Shield | DMX GND |
| Black wire | L |
| White wire | N |
| Green wire | Earth |



| MODEL | ARCHILINE PRO_W | | |
|---|--|------|----|
| LENGTH (in) | 14 | 20.3 | 40 |
| MAX N° ARCHILINE CONNECTABLE ON A SINGLE RUN @ 120Vac | 29 | 20 | 10 |
| MAX N° ARCHILINE CONNECTABLE ON A SINGLE RUN @ 277Vac | 65 | 45 | 22 |
| SINGLE RUN MAX LENGHT | 82ft @277Vac, 41ft @120Vac NOTE: SINGLE RUN MAX | | |
| MAX N°ARCHILINE CONNECTABLE ON A DMX LINE | 128 | | |
| MAX DMX LINE LENGHT | 984 ft NOTE: DMX LINE MAX LENGTH | | |

