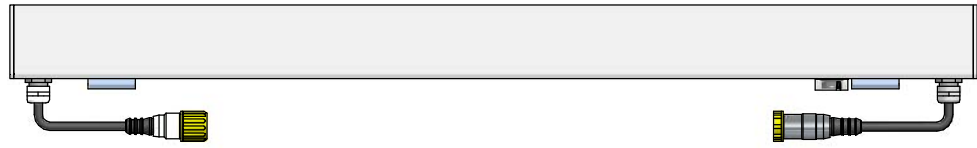
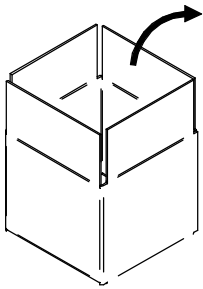




PASEO LOW POWER PASEO EXTRA POWER



WARNING:

INSTALL PRODUCT IN ACCORDANCE WITH LOCAL AND NATIONAL ELECTRICAL CODES BY A QUALIFIED ELECTRICIAN



WARNING:

FAILURE TO COMPLY WITH THE INSTALLATION INSTRUCTIONS MAY RESULT IN DEATH OR SEVERE INJURY.



WARNING:

READ ALL SAFETY INSTRUCTIONS INCLUDED WITH LUMINAIRE BEFORE INSTALLING LUMINAIRE. SAVE INSTRUCTIONS FOR FUTURE USE.

CAUTION:

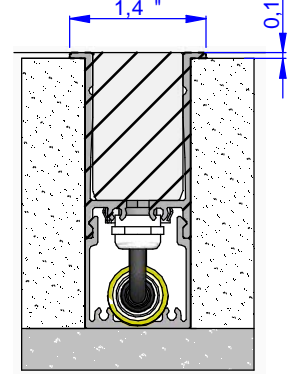
THIS IS AN ELECTRONIC DEVICE. CARE MUST BE TAKEN DURING STORAGE AND HANDLING. STORE IN A CLEAN, COOL AND DRY LOCATION. ELECTROSTATIC DISCHARGE (ESD) CAN HARM THIS PRODUCT. AVOID STATIC DISCHARGE WHILE HANDLING THIS PRODUCT.

CAUTION:

INTER-LUX IS NOT RESPONSIBLE FOR THE STRUCTURAL INTEGRITY OF THE BUILDING TO SUPPORT THE LUMINAIRE. ADDITIONAL BACKING MAY BE REQUIRED.

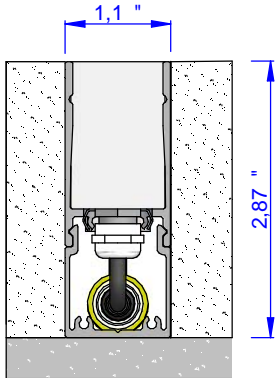
LOCATE AND REVIEW ANY CONSTRUCTION PLANS AND INTER-LUX RECORD DRAWINGS FOR ALL FIXTURE RUNS. IT IS RECOMMENDED TO LOCARE AND LAY OUT ALL COMPONENTS FOR EACH FIXTURE "RUN". A FIXTURE RUN TYPICALLY CONSISTS OF JOINERS, LENGTHS OF HOUSING, AND ENDCAPS. BE SURE TO IDENTIFY ALL CORRECT LENGTHS FOR EACH FIXTURE RUN.

INSTALLATION ON FLOOR*

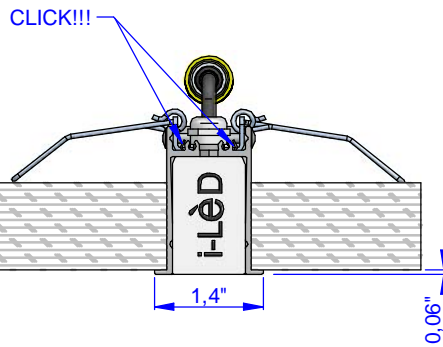


INSTALLATION INSTRUCTIONS

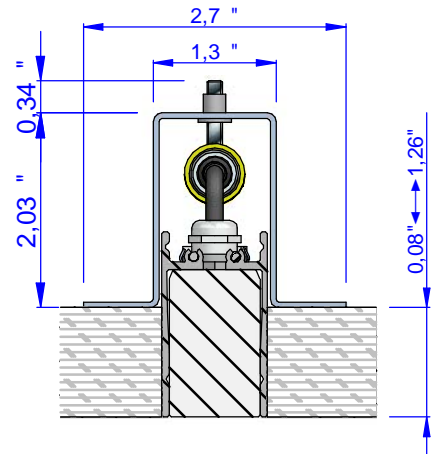
FLUSH INSTALLATION ON FLOOR



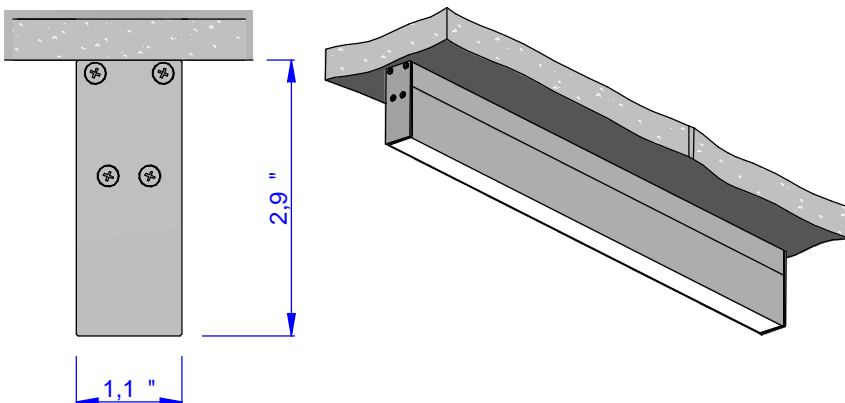
INSTALLATION ON DRYWALL



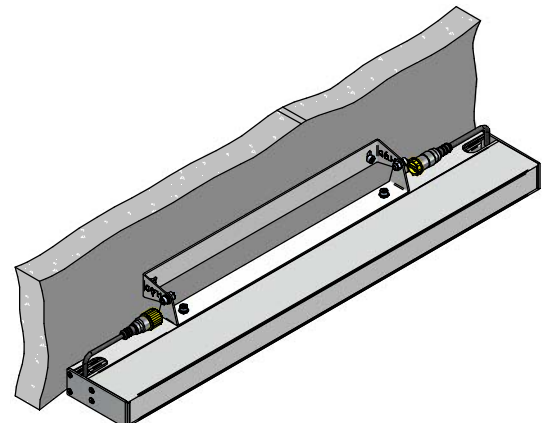
FLUSH INSTALLATION ON DRYWALL



CEILING INSTALLATION

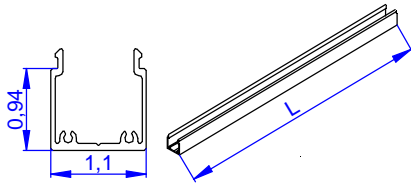


WALL INSTALLATION



MOUNTING ACCESSORIES

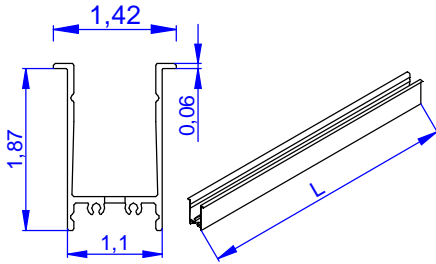
LOWER CASING



Cod.	E98471	E98472	E98473	E98474
L=Length (in)	20,2	22,7	45,4	57,2

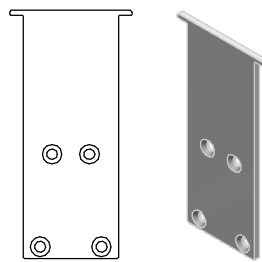
Included: rawplugs, washers and fixing screws.

RECESSED FLOOR CASING



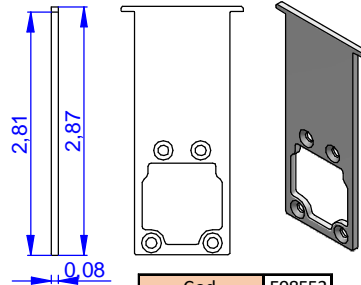
Cod.	E98355	E98430	E98356	E98357
L=Length (mm)	20,2	22,7	45,4	57,2

Polystyrene included.



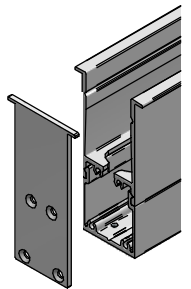
Cod.	E98876
------	--------

2x end caps. Screws included.

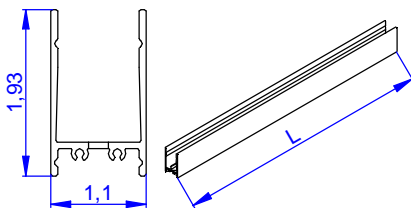


Cod.	E98553
------	--------

1x junction cap with cable passage hole. Screws included.

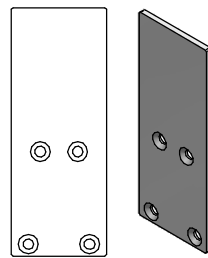


FLOOR TRIMLESS / SURFACE CEILING CASING



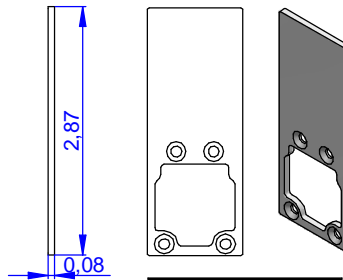
Cod.	E98467	E98468	E98469	E98470
L=Length (mm)	20,2	22,7	45,4	57,2

Polystyrene included.



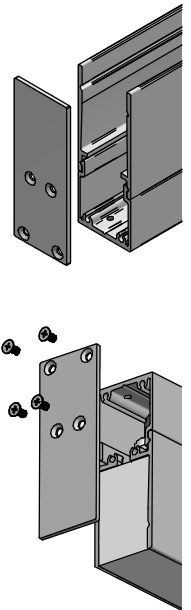
Cod.	E98466
------	--------

2x end caps. Screws included.

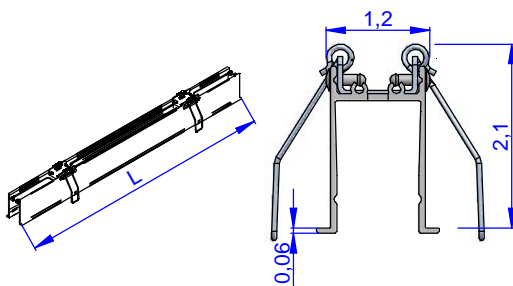


Cod.	E98554
------	--------

1x junction cap with cable passage hole. Screws included.

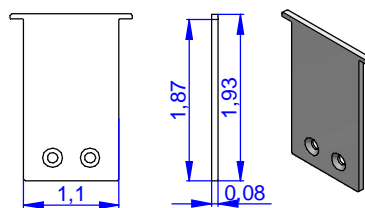


RECESSED CEILING CASING



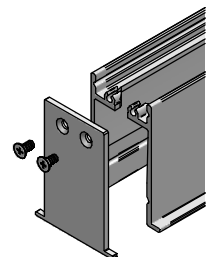
Cod.	E98374	E98435	E98375	E98376
L=Length (in)	20,2	22,7	45,4	57,2

Included: polystyrene, stirrups with springs.

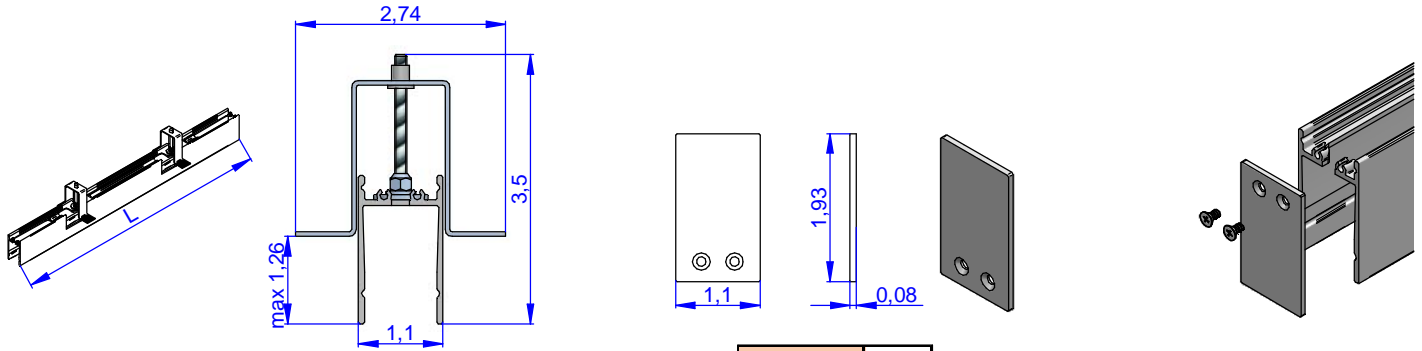


Cod.	E98465
------	--------

2x end caps. Screws included.



RECESSED CEILING TRIMLESS



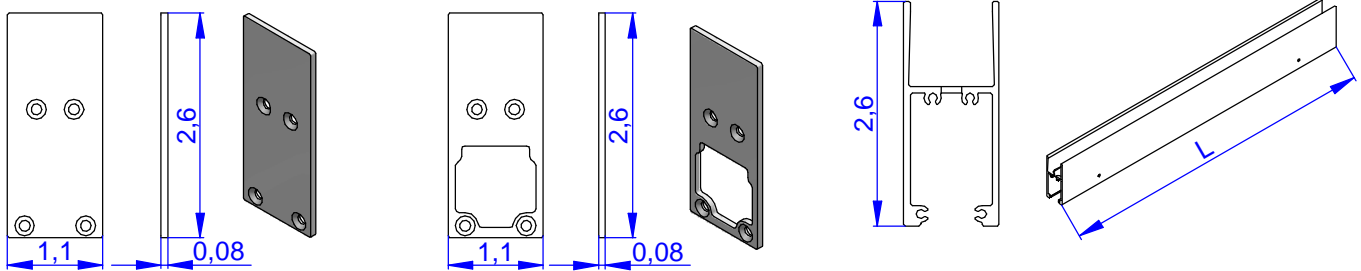
Cod.	E98367	E98434	E98368	E98369
L=Length (in)	20,2	22,7	45,4	57,2

Brackets included.

Cod.	E98464
------	--------

Screws included.

SURFACE 3D CASING



Cod.	E98840
------	--------

2x end caps. Screws included.

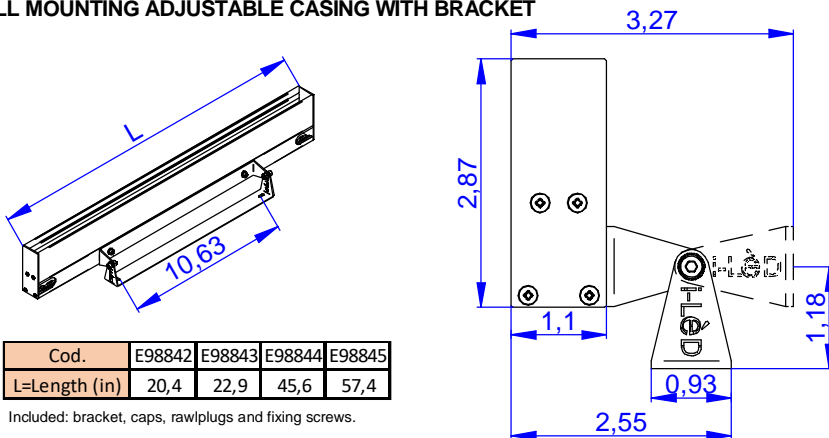
Cod.	E98841
------	--------

1x junction cap. Screws included.

Cod.	E98836	E98839	E98837	E98838
L=Length (in)	20,2	22,7	45,4	57,2

Included: polystyrene, rawplugs and fixing screws.

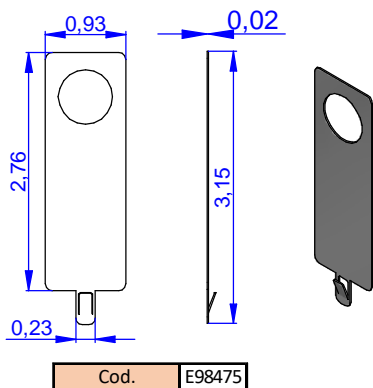
WALL MOUNTING ADJUSTABLE CASING WITH BRACKET



Cod.	E98842	E98843	E98844	E98845
L=Length (in)	20,4	22,9	45,6	57,4

Included: bracket, caps, rawplugs and fixing screws.

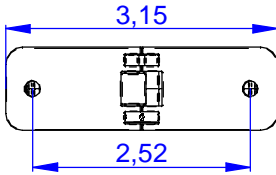
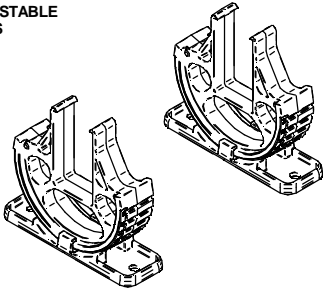
EXTRACTION TOOL



Cod.	E98475
------	--------

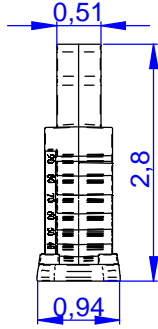
ADJUSTABLE MOUNTING CLIPS

ADJUSTABLE CLIPS

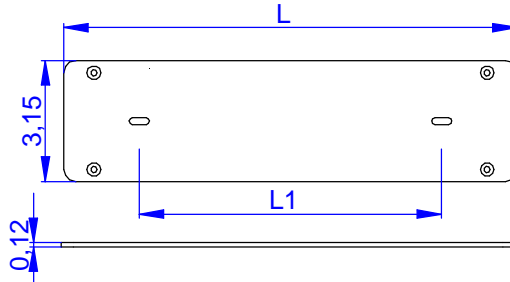


Cod.	E98771
------	--------

Included: rawplugs and screws.



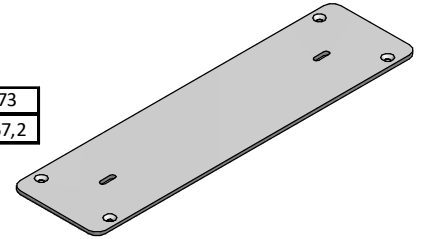
MOUNTING PLATE



Cod.	E98772	E98773
L=Length (mm)	11,8	37,4
L1=Length1 (mm)	7,9	33,5

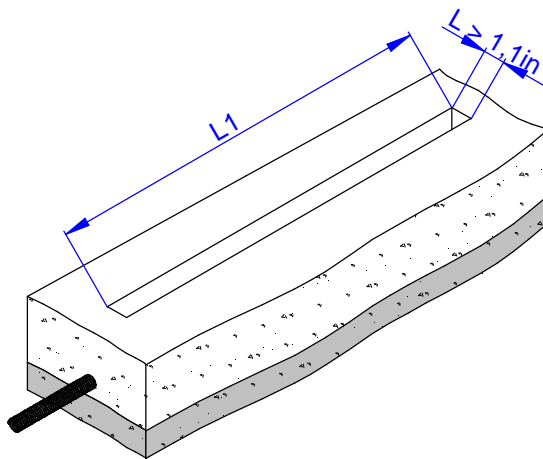
Included: nut bolts, washers and screws.

Cod.	E98772	E98773
Paseo Length (in)	20,2-22,7	45,4-57,2

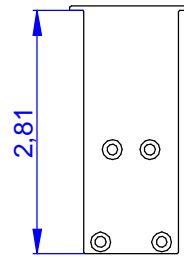


PRELIMINARY OPERATIONS FOR FLOOR INSTALLATION

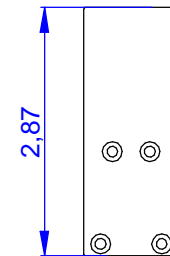
Create an opening for the casing at least 1,1" width, length (L1) greater than the outer casing length (20,2 / 22,7 / 45,4 / 57,2 in) + cap thickness (N°caps x 0,08in) and depth 2,81in (recessed installation) or 2,87in (flush installation).



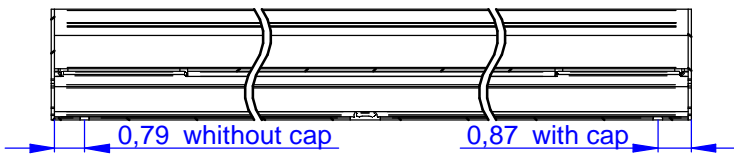
Create the path for the conduit for the Paseo run



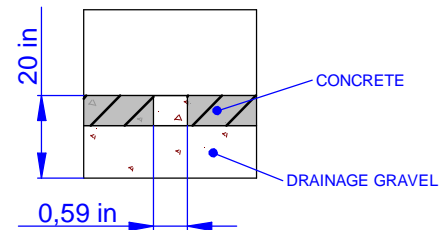
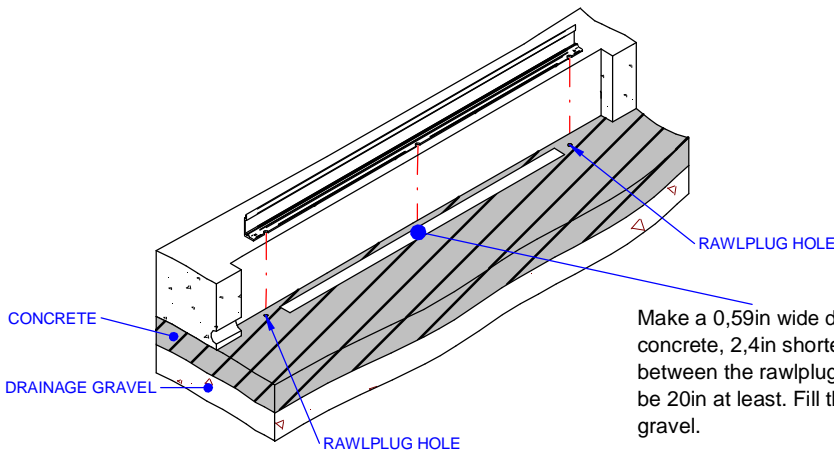
Cod.	E98355 + E98471	E98430 + E98472	E98356 + E98473	E98357 + E98474
------	-----------------	-----------------	-----------------	-----------------



Cod.	E98467 + E98471	E98468 + E98472	E98469 + E98473	E98470 + E98474
------	-----------------	-----------------	-----------------	-----------------



Make rawplugs holes at 0,79in from the end of the outer casing (consider the possible caps thickness: 0,08in each cap).

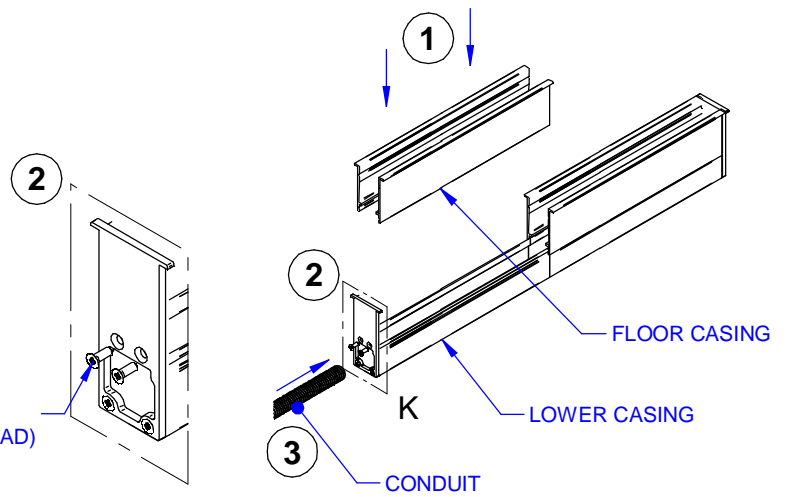


Make a 0,59in wide drainage hole in concrete, 2,4in shorter than the distance between the rawplugs. The hole depth must be 20in at least. Fill the drainage hole with gravel.

FLOOR INSTALLATION

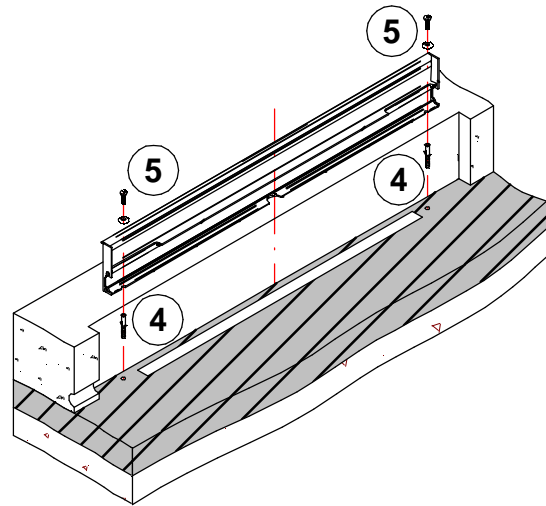
Assemble the outer casing to the lower casing (1) and fix the caps with the included screws. If the conduit starts at one end of the outer casing or for cables continuity, use the junction cap E98553 or E98554, otherwise use the end cap E98876 or E98466.

SCREWS
(PHILLIPS HEAD)



DETAIL K

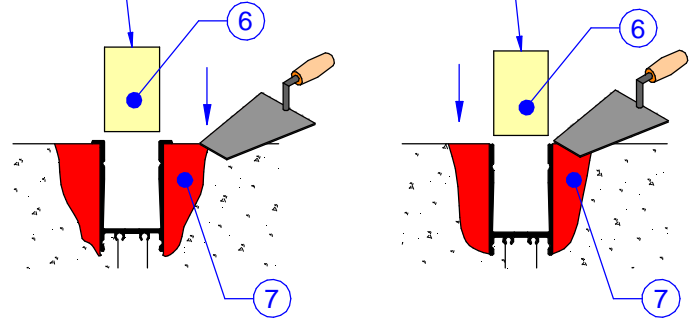
Once inserted the rawplugs into the holes (4), insert the outer casing + lower casing into the opening and fix it with the supplied screws and washers (5).



Once the outer casing is mounted, insert the supplied polystyrene in the outer casing (6). Only after this operation, you can fill the gap between casing and floor with concrete (7).

POLYSTYRENE TEMPLATE (INCLUDED)

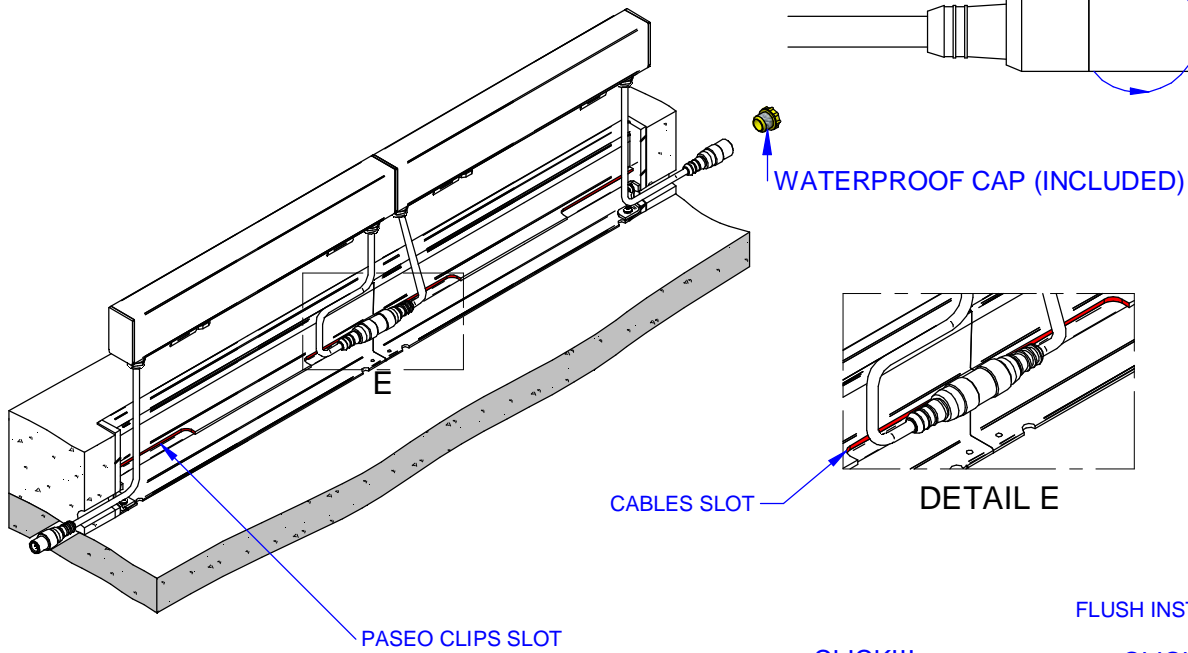
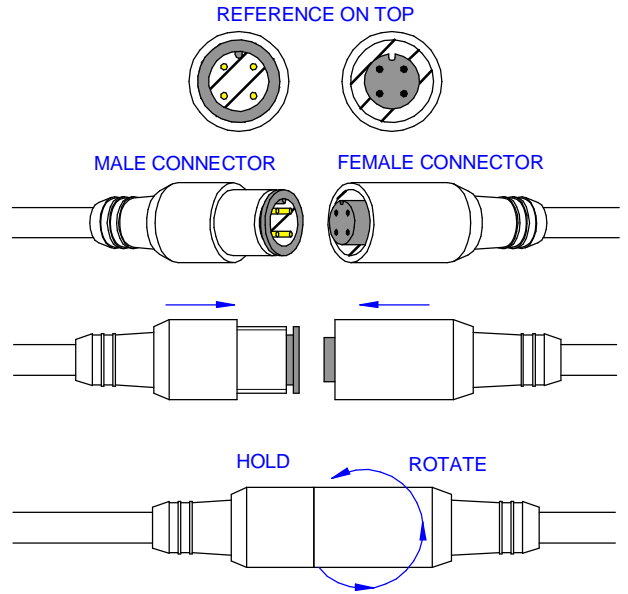
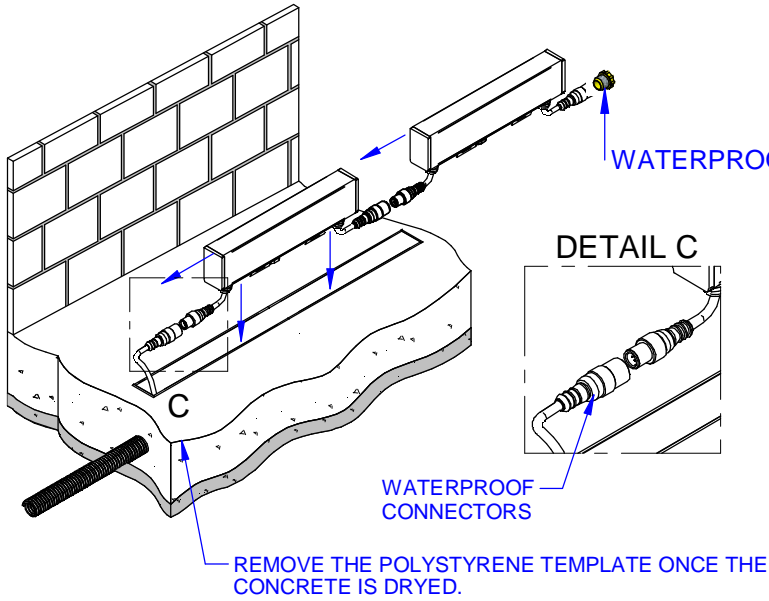
POLYSTYRENE TEMPLATE (INCLUDED)



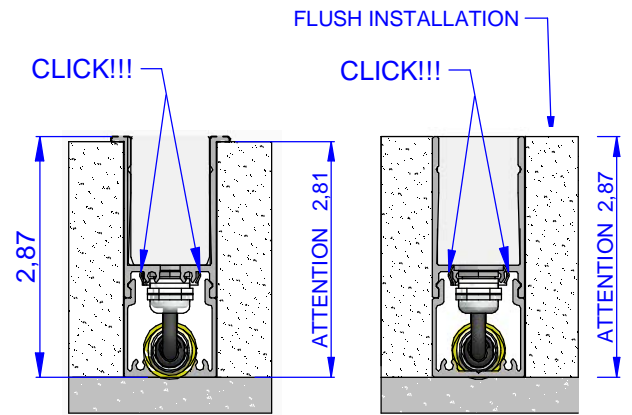
DO NOT TRY TO OPEN THE DEVICE UNSCREWING THE CAPS,
TCS VALVE OR REMOVING THE SPRING.
THIS WILL AFFECT THE WATERPROOFNESS AND WILL VOID ANY WARRANTY

FLOOR INSTALLATION

Please be careful while making the cables connections: do not force the insertion to avoid the risk of bending the connector pins. Connect the plugs keeping reference on top. Then hold male connector and rotate clockwise the female connector until it is lock.

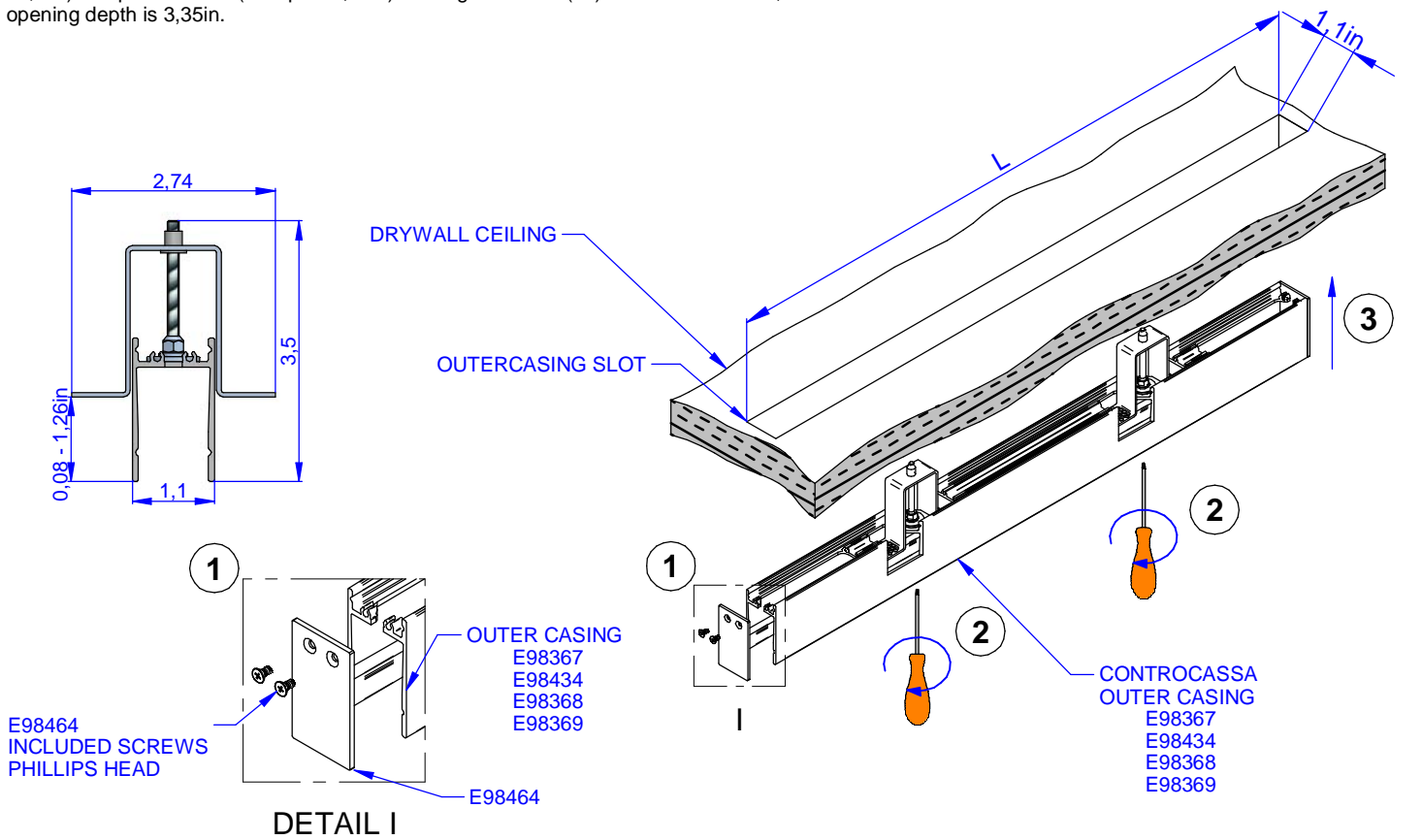


After cables are plugged, insert the Paseo into the outer casing ensuring that the two Paseo clips are locked on the outer casing.

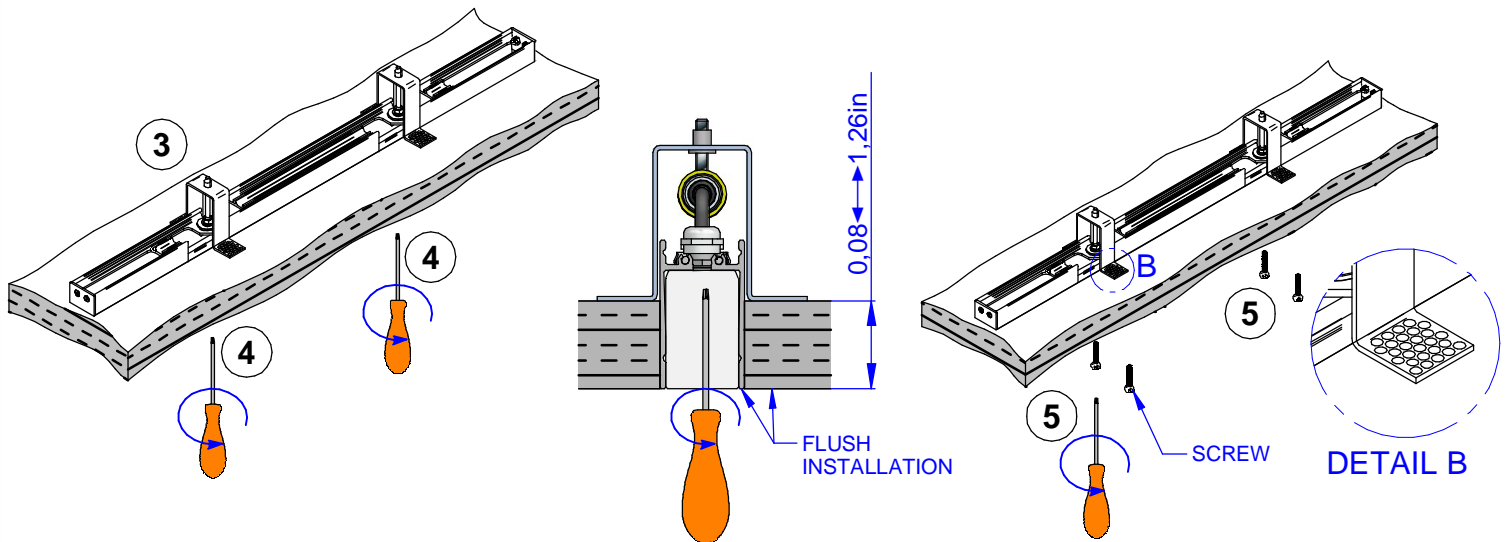


CEILING TRIMLESS INSTALLATION

Prepare an opening on ceiling 1,1in wide and length (L) equal to outer casing length (20,2 / 22,7 / 45,4 / 57,2 in) + caps thickness (N°caps x 0,08in). Ceiling thickness (L1) must not exceed 1,26in. Minimum opening depth is 3,35in.



Mount the caps on the outer casing with the 2 screws supplied (1). Before the outercasing installation, unscrew (counter-clockwise) the end limit adjustment screws (2).

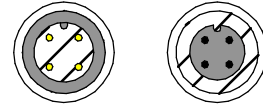


Install the outer casing (3). Tighten (clockwise) the brackets adjustment screws (4). After this adjustments the outer casing must flush with the dropped ceiling (adjustable from 0,08 to 1,26in). Secure the outer casing by tightening the screws (5) on brackets holes (DETAIL B).

CEILING TRILMESS INSTALLATION

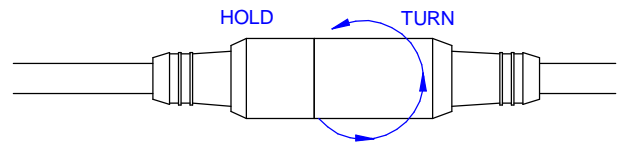
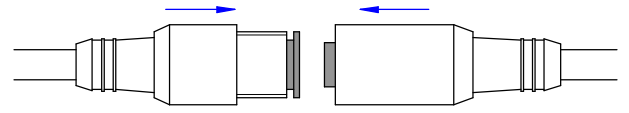
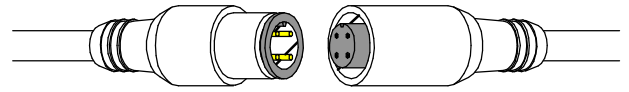
Please be careful while making the cables connections: do not force the insertion to avoid the risk of bending the connector pins. Connect the plugs keeping reference on top. Then hold male connector and rotate clockwise the female connector until it is lock.

REFERENCE ON TOP

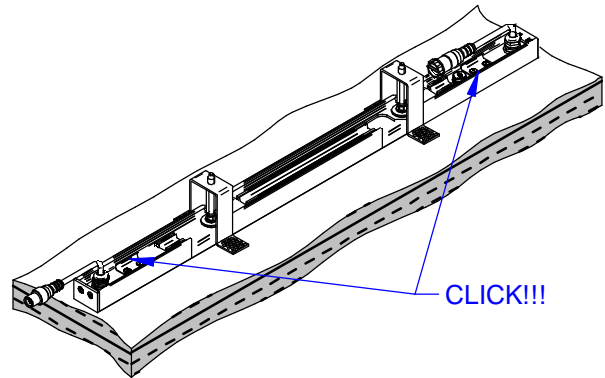
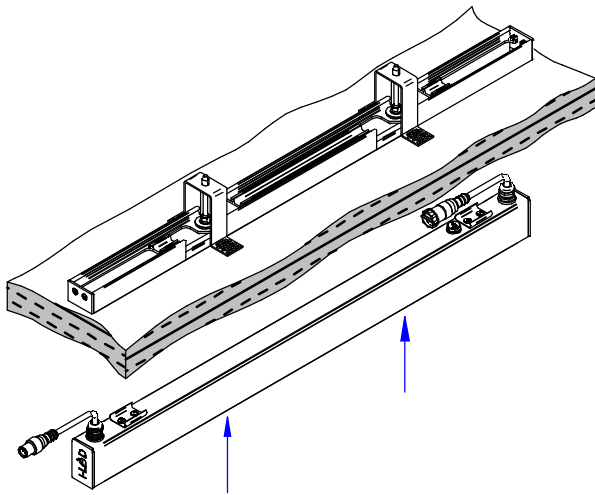


MALE CONNECTOR

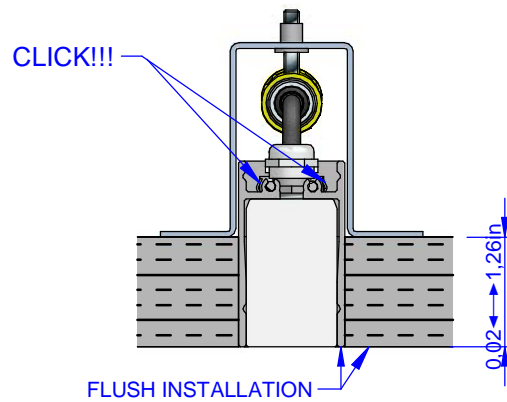
FEMALE CONNECTOR



DO NOT TRY TO OPEN THE DEVICE UNSCREWING THE CAPS, TCS VALVE OR REMOVING THE SPRING. THIS WILL AFFECT THE WATERPROOFNESS AND WILL VOID ANY WARRANTY

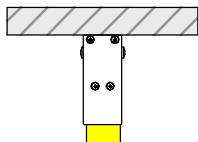


After cables are plugged, insert the Paseo into the outer casing ensuring that the two Paseo clips are locked on the outer casing.

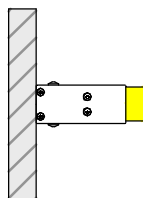


"3D" SURFACE MOUNTED INSTALLATION

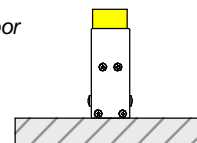
A. Ceiling



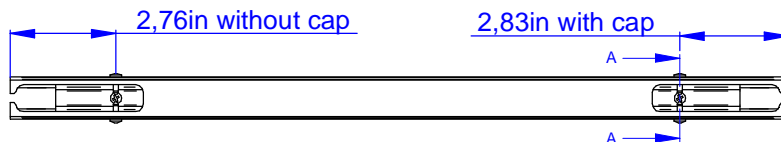
B. Wall



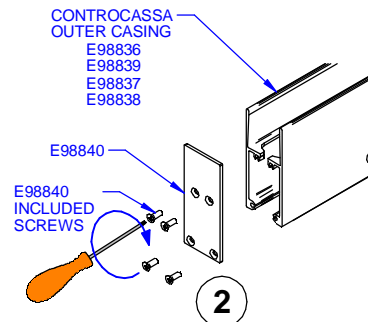
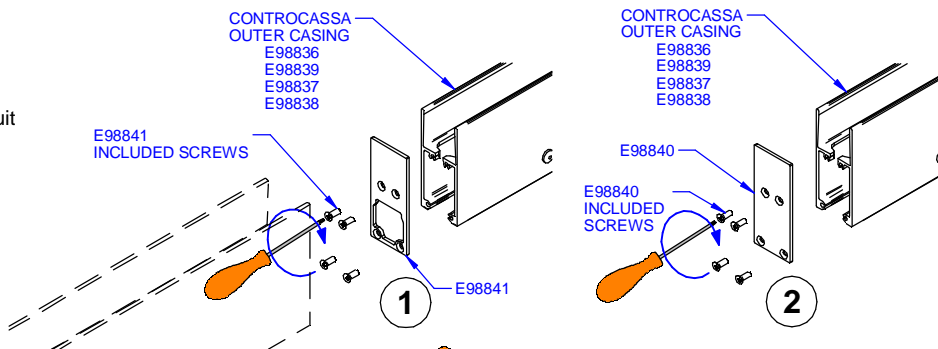
C. Floor



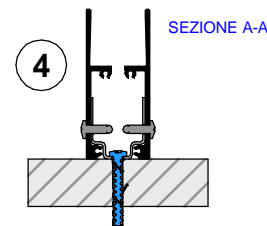
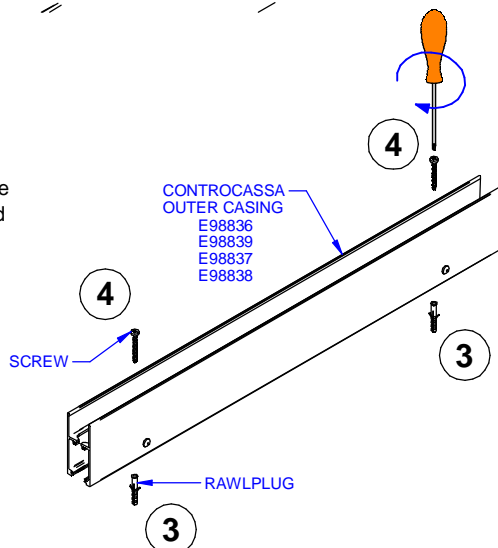
Drill rawplugs holes at 2,76in from the end of the outer casing (consider the possible caps thickness: 0,08in each cap).



Mount the caps with the included screws. If the conduit starts at one end of the outer casing or for cables continuity, use the junction cap E98553 or E98554, otherwise use the end cap E98876 or E98466.



Once inserted the rawplugs into the holes (3), insert the outer casing into the opening and fix it with the supplied screws (4).

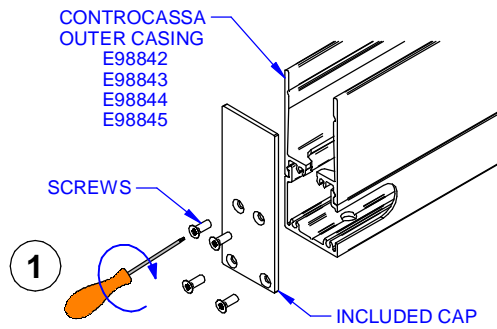


DO NOT TRY TO OPEN THE DEVICE UNSCREWING THE CAPS, TCS VALVE OR REMOVING THE SPRING. THIS WILL AFFECT THE WATERPROOFNESS AND WILL VOID ANY WARRANTY

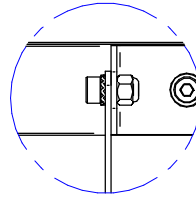
Please be careful while making the cables connections: do not force the insertion to avoid the risk of bending the connector pins. After cables are plugged, insert the Paseo into the outer casing ensuring that the two Paseo clips are locked on the outer casing.

WALL-MOUNTED ADJUSTABLE INSTALLATION

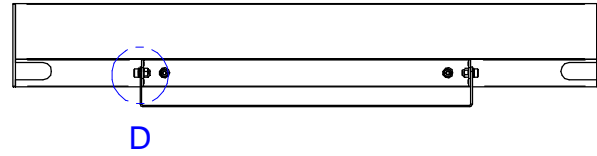
Mount the caps with the supplied screws (1).



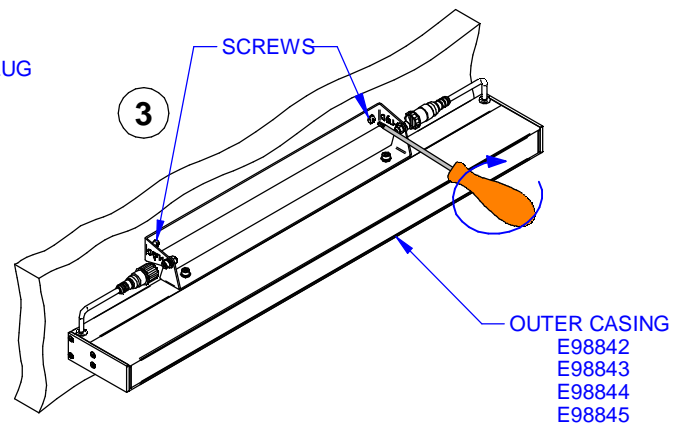
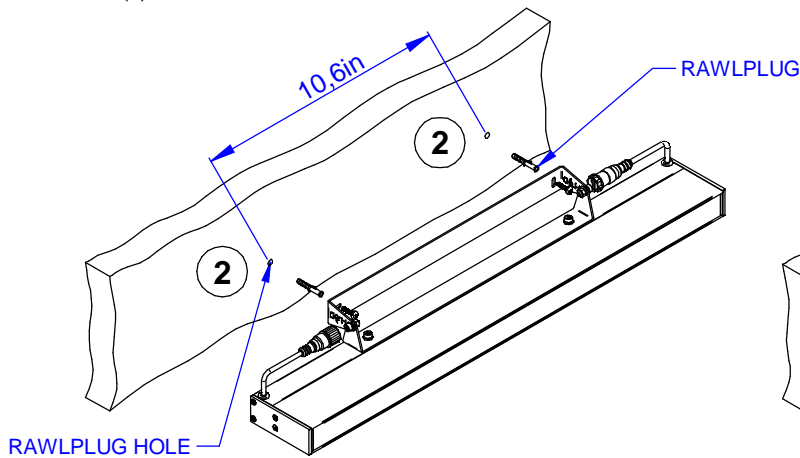
DETAIL D



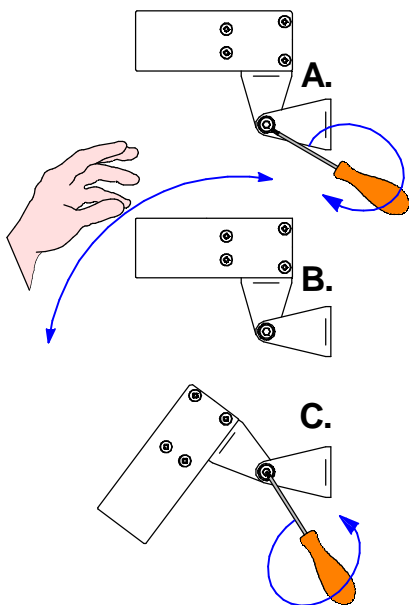
Assemble the bracket base by tightening the screw and washer (placed outside) with a nut (placed internally). Orient the bracket at about 90°.



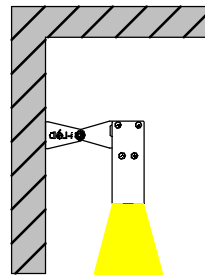
Drill the rawplugs holes (2) for bracket mounting. Distance between the two holes must be 10,6in. Mount the outer casing on the wall with the supplied screws (3).



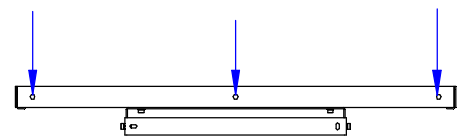
Adjust the outer casing to the desired angle.



DOWN LIGHT



If the article is installed as a down light configuration, close the drainage hole with silicone.

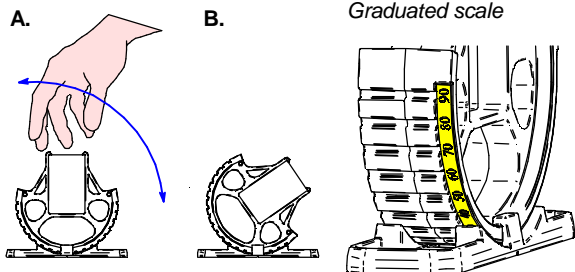


Do not try to open the device unscrewing the caps or TCS valve or removing the springs. Please be careful while making the cables connections: do not force the insertion to avoid the risk of bending the connector pins. After cables are plugged, insert the Paseo into the outer casing ensuring that the two Paseo clips are locked on the outer casing.

ADJUSTABLE MOUNTING CLIPS

Drill rawplug holes (1). Distance between holes must be 2,52in. Suggested distance between clips (L): 10,2in for Paseo (20,2 / 22,7)in ; 35,8in for Paseo (45,4 / 57,2)in. Secure the clips on the wall with the supplied screws (2).

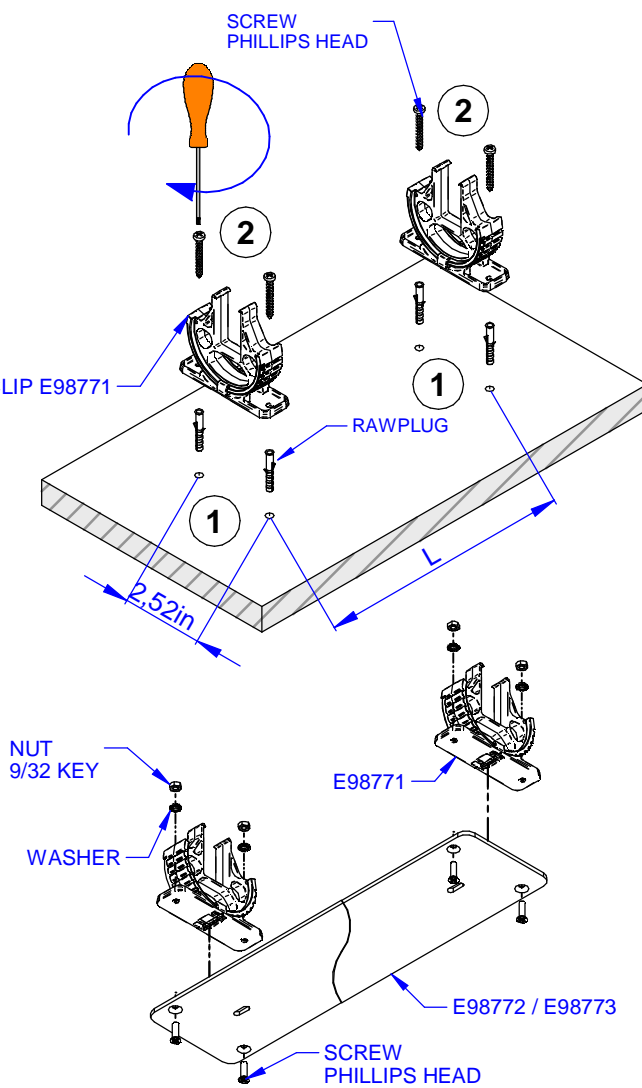
Angle adjustment



ADJUSTABLE CLIP E98771

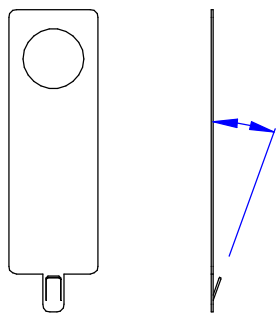
Insert the Paseo into the clips and adjust the desired angle. Do not try to open the device unscrewing the caps or TCS valve or removing the springs. Please be careful while making the cables connections: do not force the insertion to avoid the risk of bending the connector pins.

It is possible to mount the clips on the plate E98772 or E98773 and use it as a mobile support on the floor. Mount the clips with screws, washers and nuts supplied with the plate.

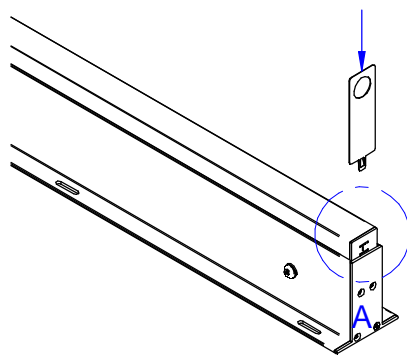


EXTRACTION KEY

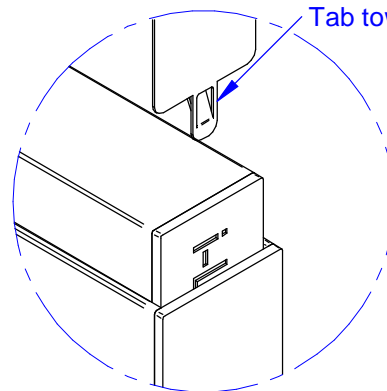
1. Bend the tab



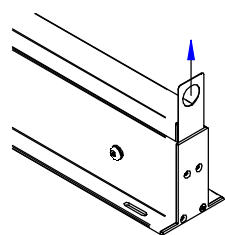
2.



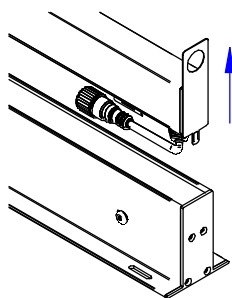
Tab toward the Paseo



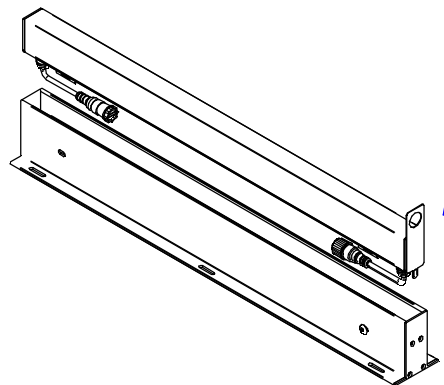
3. Pull using a screwdriver as a lever or using a plier.



4.



5.



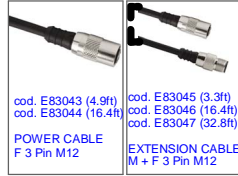
ON/OFF INTEGRAL DRIVER

Wiring procedure

- 1 Switch off the main switch.
- 2 Connect the Paseo to the power supply unit.
- 3 Connect the power supply unit to the main line power.
- 4 Switch on the main switch.

N.B

All maintenance and installation operations must be carried out with the main switch turned off



cod. E83043 (4.9ft)
cod. E83044 (16.4ft)

POWER CABLE
F 3 Pin M12

cod. E83045 (3.3ft)
cod. E83046 (16.4ft)
cod. E83047 (32.8ft)

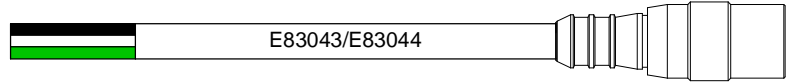
EXTENSION CABLE
M + F 3 Pin M12

All power supply, wiring and accessories used for product installation shall be original Linea Light Group parts or approved by the company. The warranty will become void if non original or non approved parts are used.

BLACK WIRE = LINE

WHITE WIRE = NEUTRAL

GREEN WIRE = GROUND

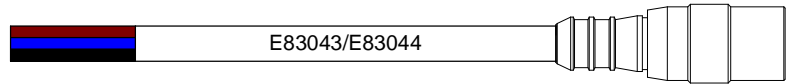


OR

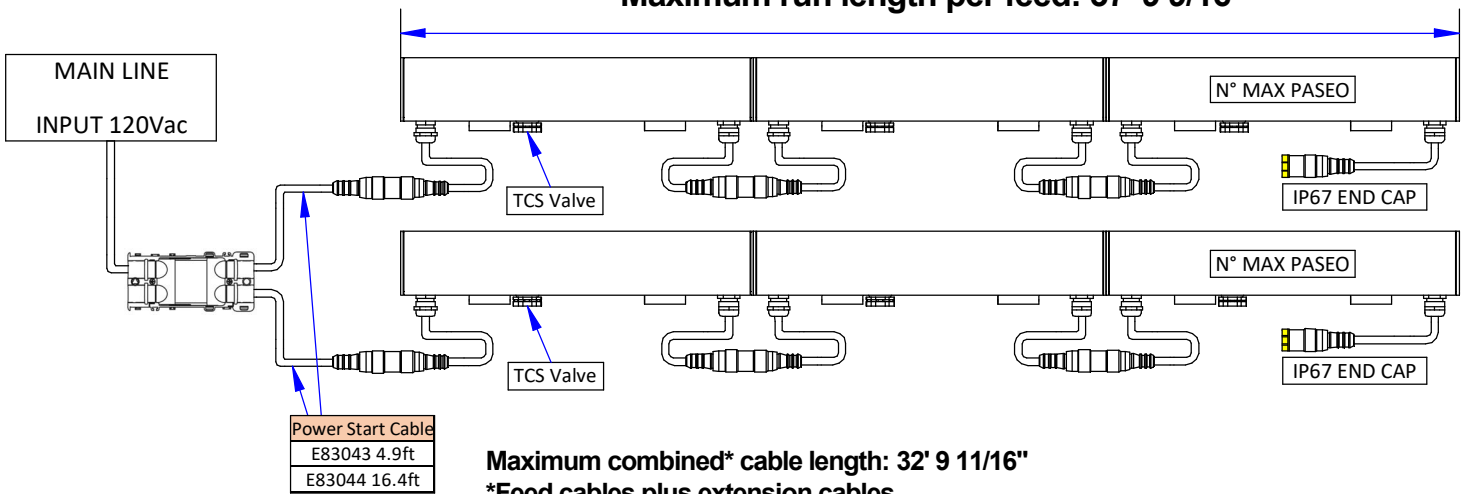
BROWN WIRE = LINE

BLUE WIRE = NEUTRAL

BLACK WIRE = GROUND



Maximum run length per feed: 37' 9 9/16"



MOD.	COD.	LENGTH (in)	MAX N° PASEO PER FEED CABLE	MAX PASEO LENGTH PER FEED CABLE
PASEO LOW POWER	TRASPARENT	E96150	20.2	22
		E96151	45.4	10
		E96152	57.2	7
	OPALINE	E93994	20.2	22
		E93995	45.4	10
		E81331	20.2	22
PASEO EXTRA POWER	TRASPARENT	E81332	45.4	10
		E81333	57.2	7
		E96196	22.7	20
		E96197	45.4	10

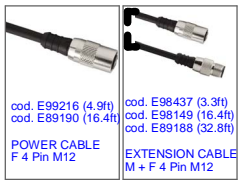
24Vdc REMOTE DRIVER

Wiring procedure

- 1 Switch off the main switch.
- 2 Connect the Paseo to the power supply unit.
- 3 Connect the power supply unit to the main line power.
- 4 Switch on the main switch.

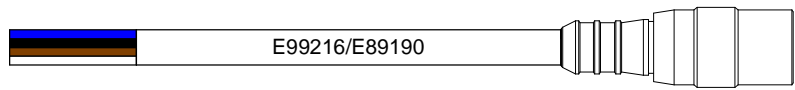
N.B
All maintenance and installation operations must be carried out with the main switch turned off

The Paseo must be powered at 24Vdc in constant voltage.

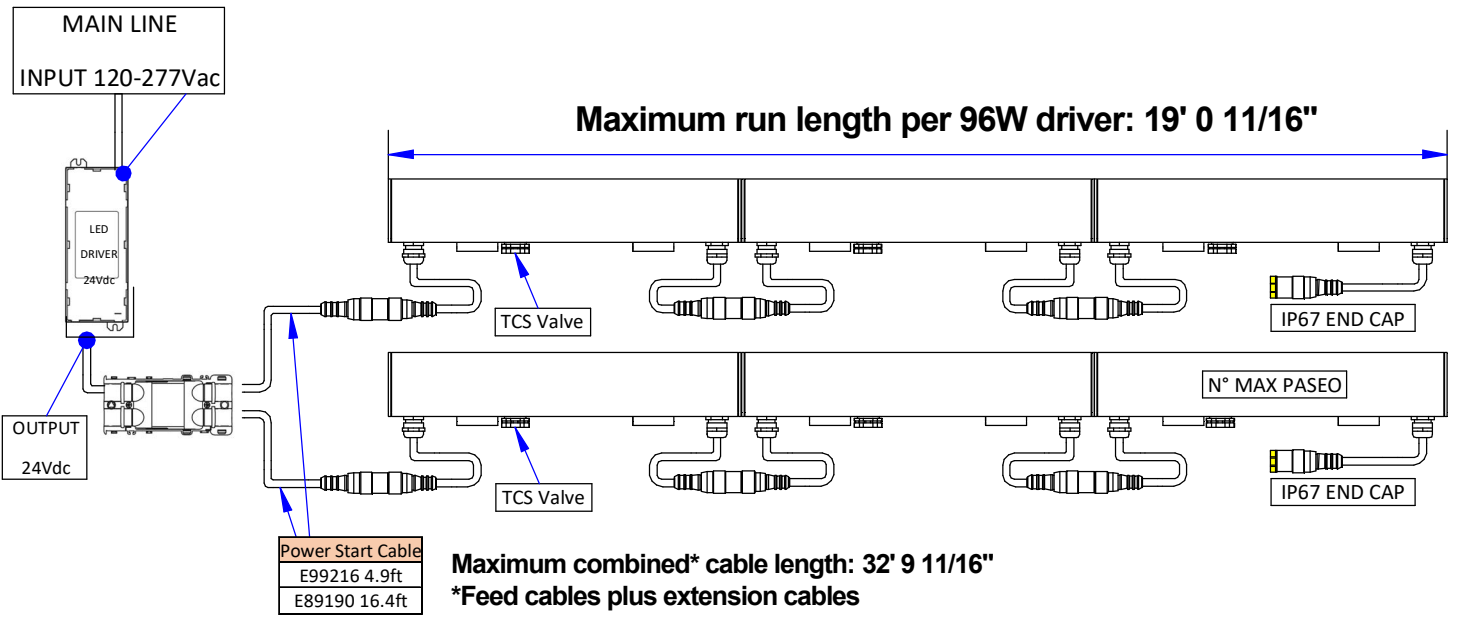


All power supply, wiring and accessories used for product installation shall be original Linea Light Group parts or approved by the company. The warranty will become void if non original or non approved parts are used.

- BLUE WIRE = NEGATIVE (-)**
- BLACK WIRE = NEGATIVE (-)**
- BROWN WIRE = POSITIVE (+)**
- WHITE WIRE = POSITIVE (+)**



Connect BLUE and BLACK wires of E99216 or E89190 to the power supply NEGATIVE.
Connect BROWN and WHITE wires of E99216 or E89190 to the power supply POSITIVE.



MOD.		COD.	LENGTH (in)	MAX N° PASEO PER 96W DRIVER
PASEO LOW POWER	TRASPARENTE	E97673	20.2	11
		E97674	45.4	5
		E97675	57.2	4
		E94021	20.2	11
		E94022	45.4	7
	OPALINE	E81328	20.2	11
		E81329	45.4	5
		E81330	57.2	4

RGBW DMX WITH REMOTE 24V DRIVER

Wiring procedure

- 1 Switch off the main switch.
- 2 Connect the Paseo to the power supply unit.
- 3 Connect the power supply unit to the main line power.
- 4 Switch on the main switch.

N.B.
All maintenance and installation operations must be carried out with the main switch turned off

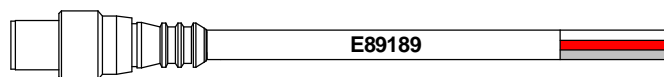
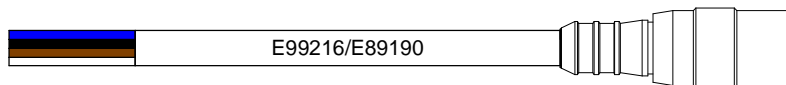
The Paseo must be powered at 24Vdc in constant voltage.

All power supply, wiring and accessories used for product installation shall be original Linea Light Group parts or approved by the company. The warranty will become void if non original or non approved parts are used.



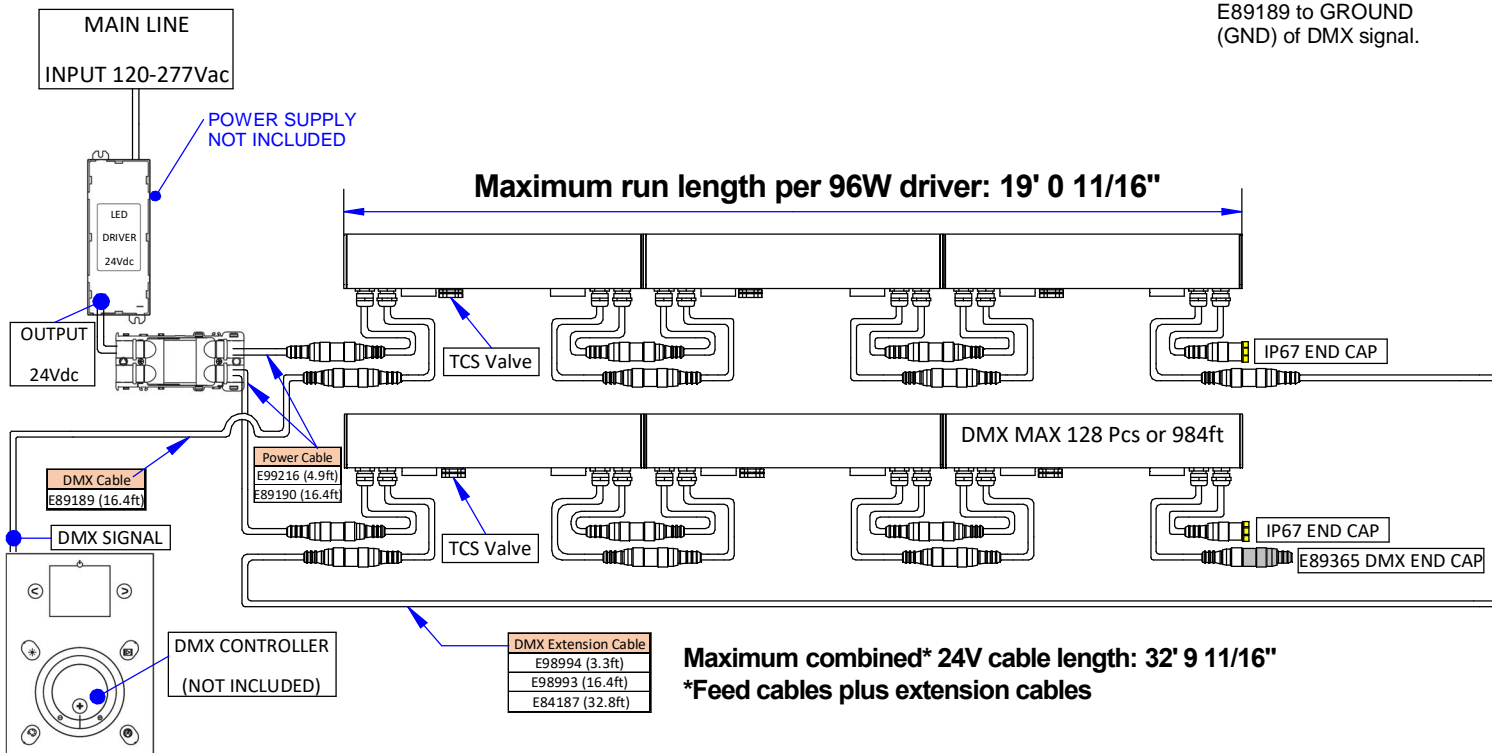
Connect BLUE and BLACK wires of E99216 or E89190 to the power supply NEGATIVE. Connect BROWN and WHITE wires of E99216 or E89190 to the power supply POSITIVE.

- BLUE WIRE = NEGATIVE (-)
- BLACK WIRE = NEGATIVE (-)
- BROWN WIRE = POSITIVE (+)
- WHITE WIRE = POSITIVE (+)



- WHITE WIRE = - DMX
- RED WIRE = + DMX
- SHIELD = GND

Connect WHITE wire of E89189 to NEGATIVE of DMX signal. Connect RED wire of E89189 to POSITIVE of DMX signal. Connect SHIELD of E89189 to GROUND (GND) of DMX signal.



Maximum combined* 24V cable length: 32' 9 11/16"
*Feed cables plus extension cables

MOD.	COD.	LENGTH (in)	MAX N° PASEO ON A SINGLE 96W DRIVER	MAX N° PASEO ON A DMX LINE	MAX DMX LINE LENGTH	
PASEO LOW POWER	OPALINE	E81334	20.2	11	128	984ft
		E81335	45.4	5		
		E81336	54.2	4		

RGBW DMX INTEGRAL DRIVER

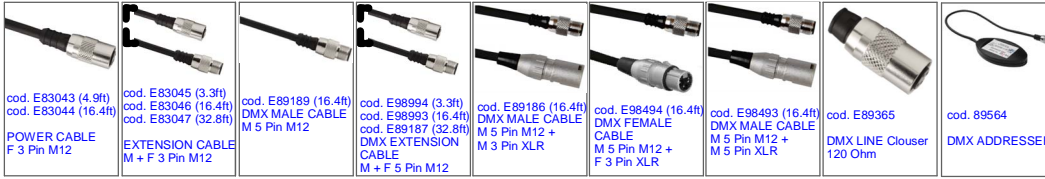
Wiring procedure

- 1 Switch off the main switch.
- 2 Connect the Paseo to the power supply unit.
- 3 Connect the power supply unit to the main line power.
- 4 Switch on the main switch.

N.B

All maintenance and installation operations must be carried out with the main switch turned off

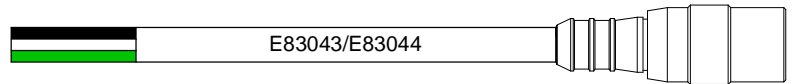
All power supply, wiring and accessories used for product installation shall be original Linea Light Group parts or approved by the company. The warranty will become void if non original or non approved parts are used.



BLACK WIRE = LINE

WHITE WIRE = NEUTRAL

GREEN WIRE = GROUND

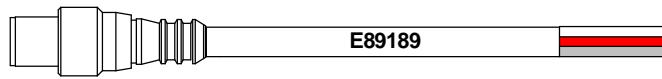
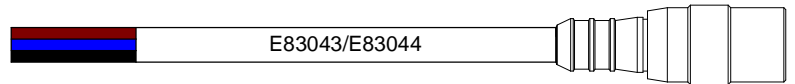


OR

BROWN WIRE = LINE

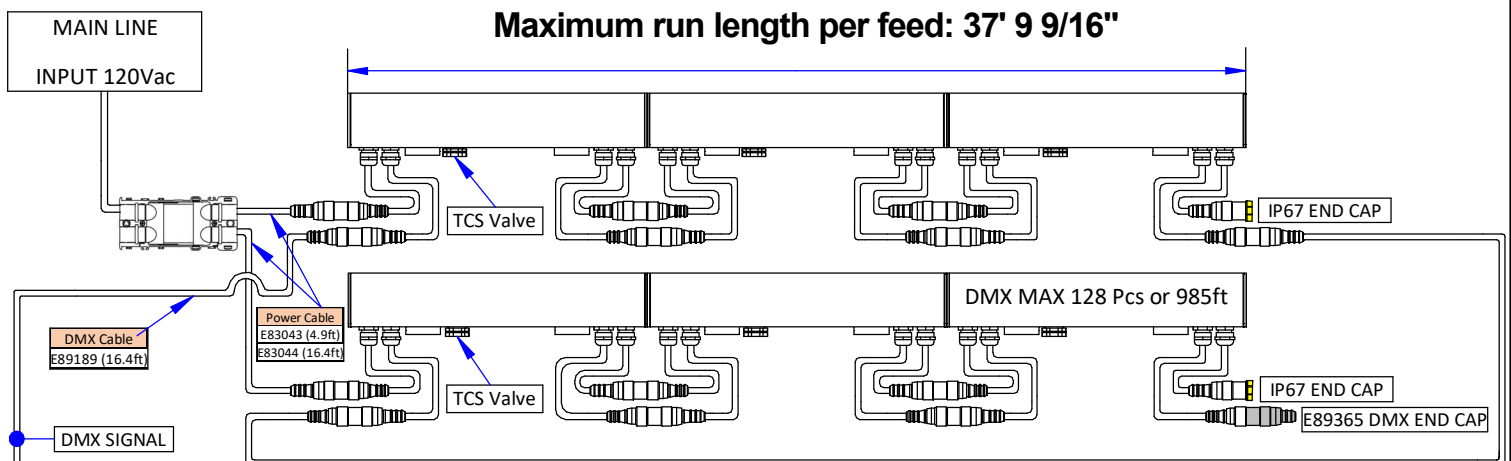
BLUE WIRE = NEUTRAL

BLACK WIRE = GROUND



WHITE WIRE = - DMX
RED WIRE = + DMX
SHIELD = GND

Connect WHITE wire of E89189 to NEGATIVE of DMX signal. Connect RED wire of E89189 to POSITIVE of DMX signal. Connect SHIELD of E89189 to GROUND (GND) of DMX signal.



Maximum combined* cable length: 32' 9 11/16"
***Feed cables plus extension cables**

MOD.	COD.	LENGTH (in)	MAX N° PASEO PER FEED CABLE	MAX RUN LENGTH PER FEED CABLE	MAX N° PASEO ON A DMX LINE	MAX DMX LINE LENGHT
PASEO EXTRA POWER	TRASPARENT E97247	22.7	20	37' 9 9/16"	128	984ft
	E97609	45.4	10			

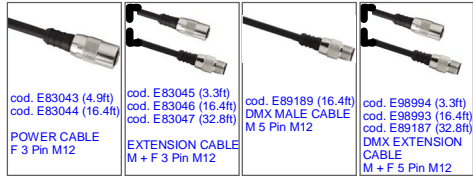
0-10V INTEGRAL DRIVER

Wiring procedure

- 1 Switch off the main switch.
- 2 Connect the Paseo to the power supply unit.
- 3 Connect the power supply unit to the main line power.
- 4 Switch on the main switch.

N.B

All maintenance and installation operations must be carried out with the main switch turned off

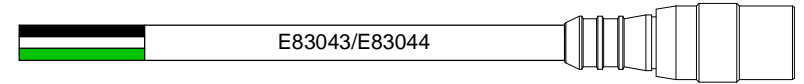


All power supply, wiring and accessories used for product installation shall be original Linea Light Group parts or approved by the company. The warranty will become void if non original or non approved parts are used.

BLACK WIRE = LINE

WHITE WIRE = NEUTRAL

GREEN WIRE = GROUND

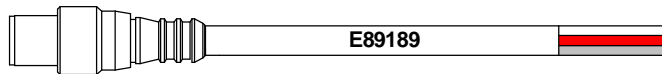
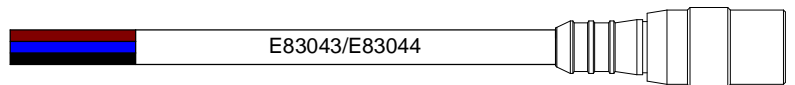


OR

BROWN WIRE = LINE

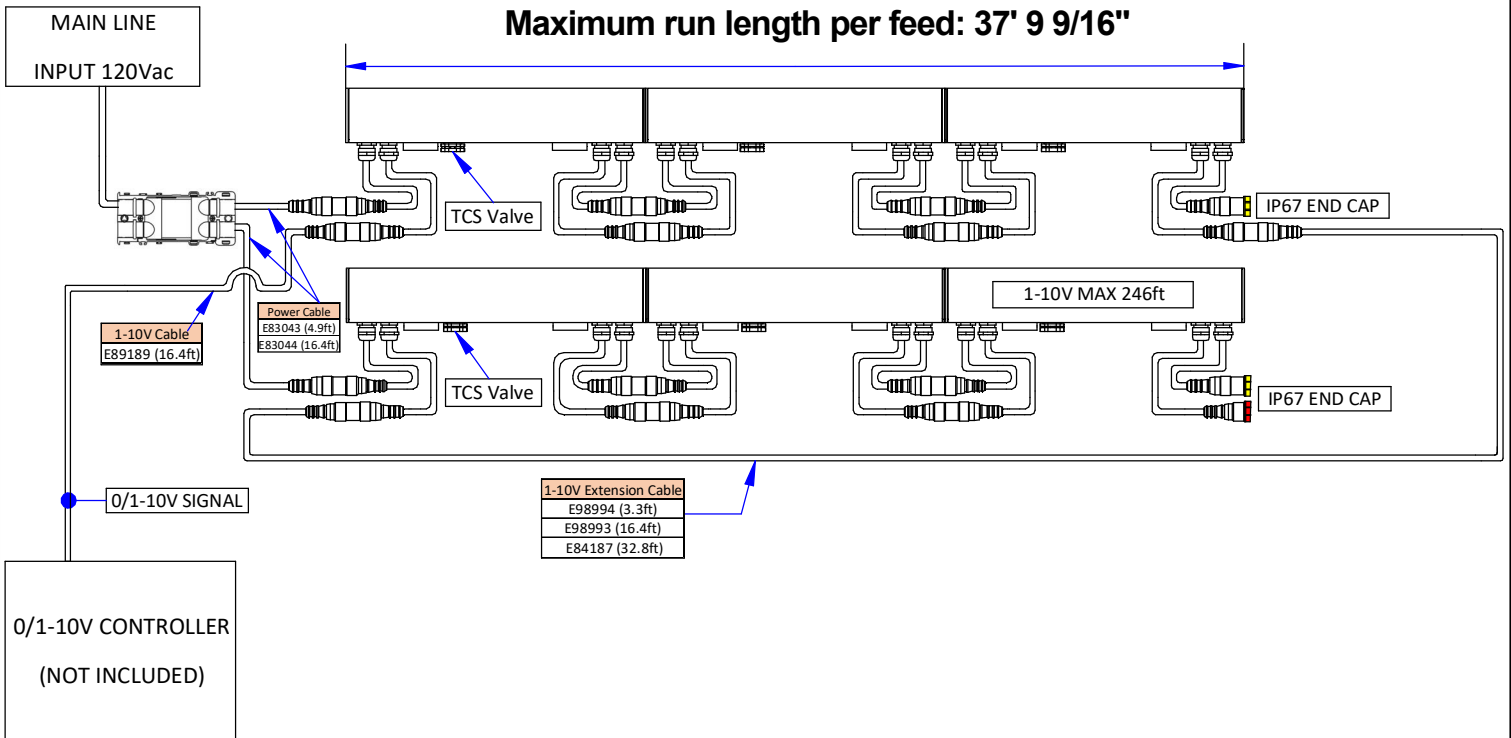
BLUE WIRE = NEUTRAL

BLACK WIRE = GROUND



WHITE WIRE = 0-10V -
RED WIRE = 0-10V +
SHIELD = unconnected

DMX cable is used also for 0-10V signal. Connect WHITE wire of E89189 to NEGATIVE of 0-10V signal. Connect RED wire of E89189 to POSITIVE of 0-10V signal. Cut SHIELD of E89189 and leave it unhooked.



MOD.	COD.	LENGTH mm	MAX N° PASEO PER FEED CABLE	MAX RUN LENGTH PER FEED CABLE	MAX 0/1-10V LINE LENGTH
PASEO EXTRA POWER TRASPARENT	E97255	22.7	20	37' 9 11/16"	246ft
	E97611	45.4	10		

THIS PRODUCT MUST BE INSTALLED IN ACCORDANCE WITH THE APPLICABLE INSTALLATION CODE BY A PERSON FAMILIAR WITH THE CONSTRUCTION AND OPERATION OF THE PRODUCT AND THE HAZARDS INVOLVED

MOUNTING INSTRUCTIONS

READ ALL OF THESE INSTRUCTIONS BEFORE INSTALLING FIXTURES

- CAUTION: USE ONLY WITH CLASS 2 POWER UNIT
- Keep all of the instructions for future reference
- Turn off power before installing fixture
- Installation is to be performed by a qualified electrician only
- All installations must conform to the National Electrical Code as well as all local jurisdictional codes and regulations
- Any modification of the luminaire will void any and all written or implied warranties
- The manufacture accepts no responsibility for damage to persons or property arising through improper use or installation