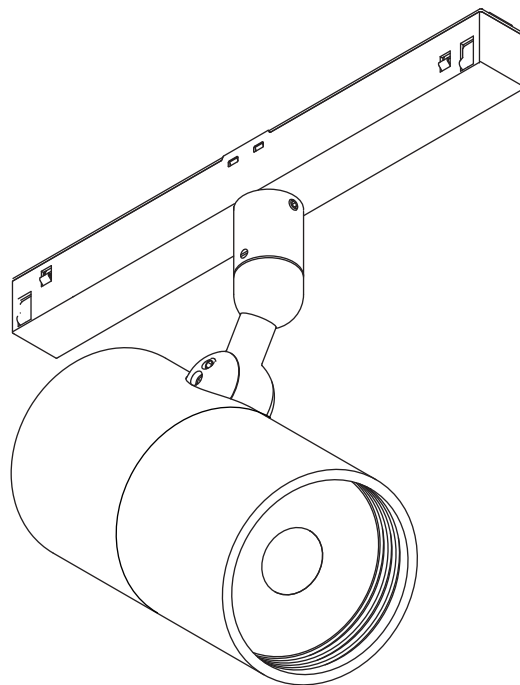


## Installation and Maintenance Instructions



**IMPORTANT: All wiring connections must be made before switching on mains power.**

 MSL COB LED

IP20 Indoor Use Only

 Please retain these instructions for future reference

## Electrical Supply

Installation must be carried out by a qualified electrician in accordance with BS 7671:2008 Wiring Regulations. 48VDC constant voltage supply to suitable lighting track.

Site conditions: LED equipment is more susceptible to static damage and over voltage than previous technology. Before handling or connecting to the mains supply ensure that all MSL products are protected from static discharge and that the mains supply is to regulation. (230V +10 -6%)

This fitting is supplied with a Chip on Board LED. Refer to the fitting label for the version, wattage and recommended drive current.

Mains cables must be double insulated, strain relieved and separated from E.L.V output cables.

**This unit requires a 48V constant voltage supply to suitable lighting track.**

**Observe polarity when making 48V connections to track feed.**

**All connections must be made before switching on mains.** If the supply is energised prior to making the connections to the fitting then the resulting surge will damage the LED.

All lighting equipment is delicate and easily damaged through misuse or inappropriate installation (mechanical or electrical). Repairs and replacements may cause delays and will be chargeable. Contact MSL for support if required. For full warranty terms & conditions please visit our website.

When supplying digital equipment with the potential to be connected to networks, physically or wirelessly (i.e. Bluetooth, WiFi, DMX radio etc.), MSL does not take responsibility for the digital security of the equipment or associated networks. It is the customer's responsibility to select a protocol suitably robust for their requirements and to ensure responsible utilisation of passwords.

The light source contained in this luminaire shall only be replaced by the manufacturer or his service agent or a similar qualified person.

The entire dimming control circuit source must be of SELV insulation class.

Caution - This product contains magnets. Magnets are dangerous if ingested, can affect pacemakers and other magnetically sensitive equipment.

## Installation

Check that the track is mounted securely and is capable of supporting the total weight of the fittings installed. **Fitting Weight : 1.1 lbs (0.5kg)**

The track should be isolated from the supply before adding or removing fittings.

Track must be installed horizontally.

**Step 1** Insert the fitting into the track. When inserting the the track adaptor into the track. Apply force to the track adaptor to push into place.

**Step 2** Make mains connections to SELV transformer and extra low voltage connections to the track. Ensure that polarity on the track is correct before applying power.

**WARNING: Do not look at exposed LED lamps in operation. Eye injury can result.**

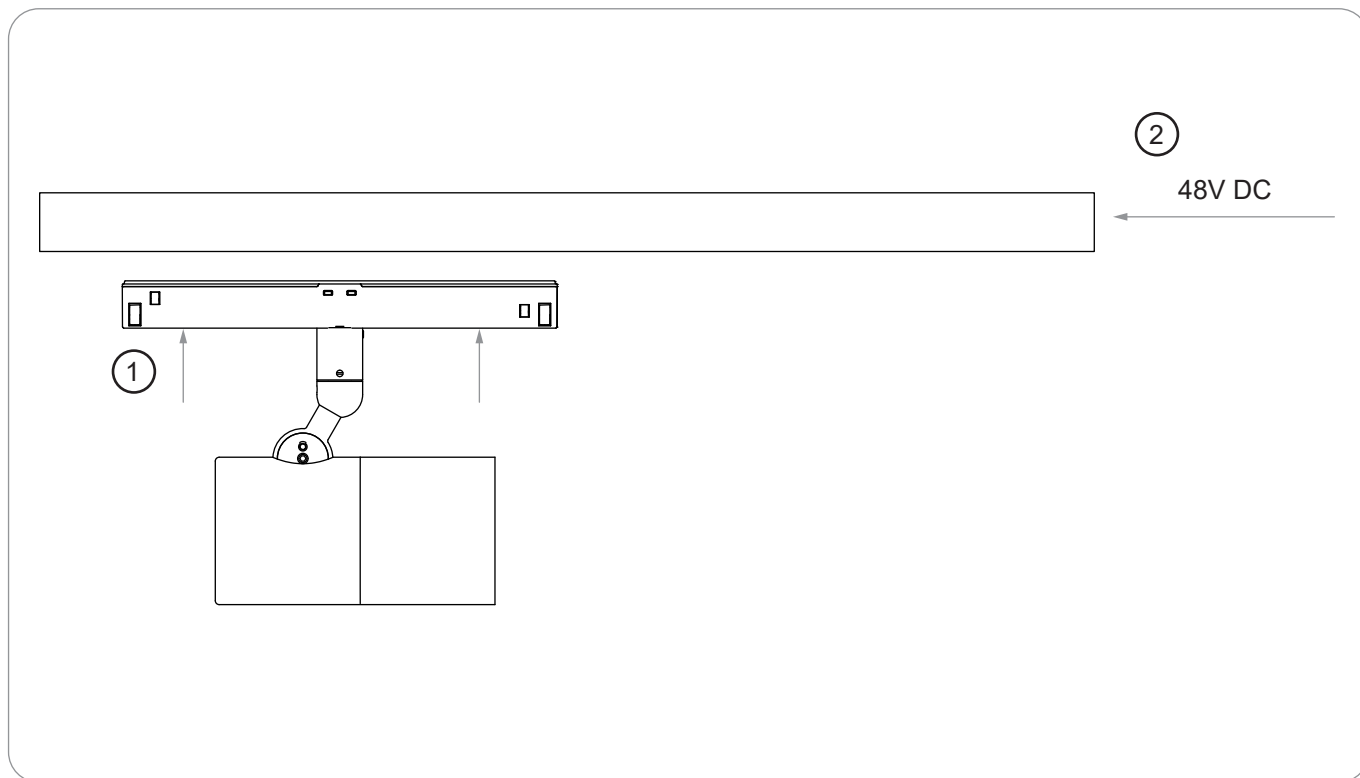
Additional items should not be hung or suspended from this fitting. MSL takes no responsibility for additional items added by others or the consequences of those items.

## Cleaning:

Fully isolate the fitting and allow to cool.

Clean the fitting with a slightly damp lint free cloth from a mild solution of soap and water. The fitting must be completely dry before reconnecting power.

Incompatible or abrasive chemicals can damage the fitting, contact MSL for advice if required.



## MODULE AND ACCESSORIES

The colour temperature and lumen output can be found on the product label on the fitting.

To add/remove accessories:

Isolate the fitting from the supply and allow to cool.

Step 1 To remove accessories remove circlip. Replace optic/accessories as required and replace circlip to secure.

To remove replace optic;

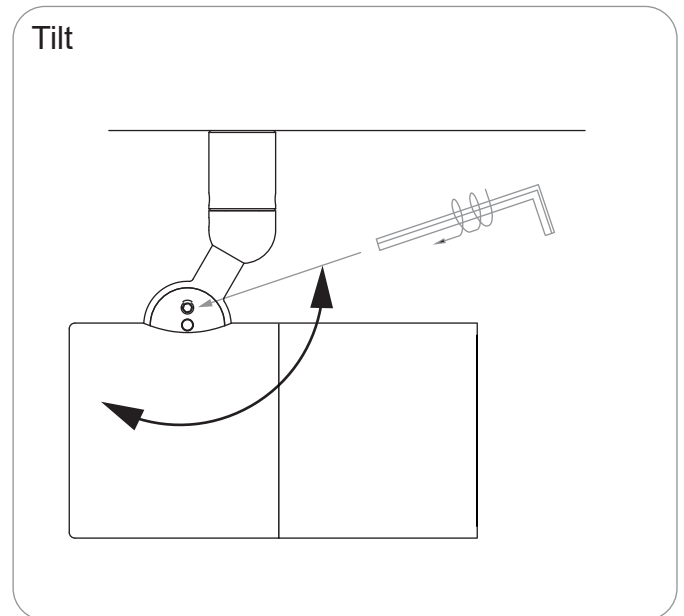
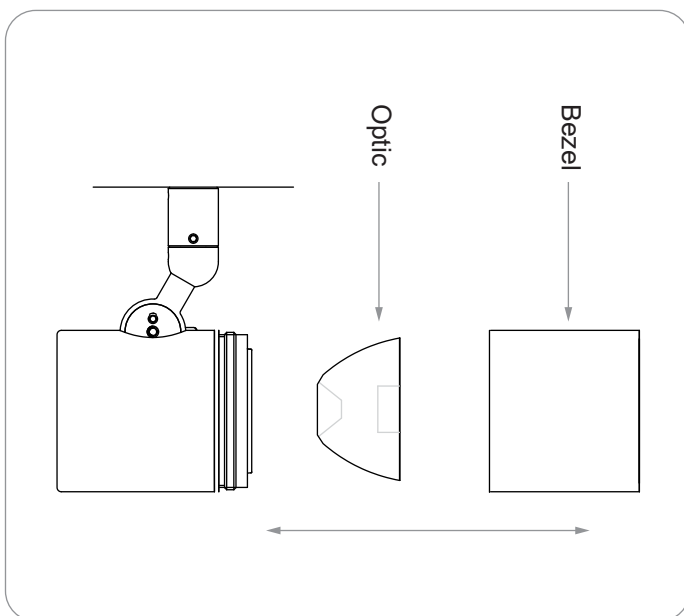
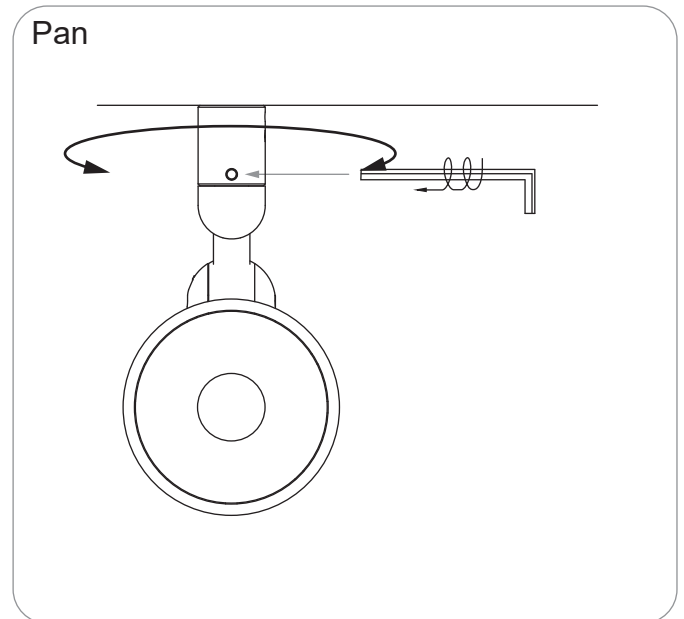
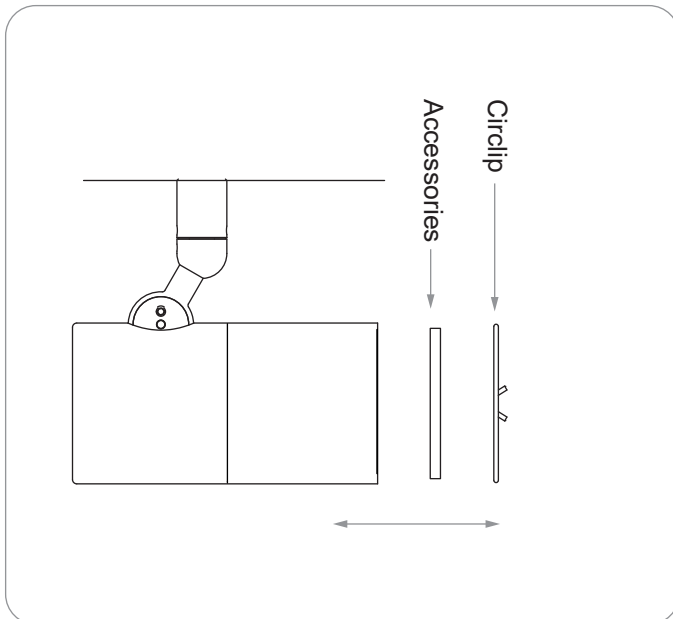
Step 1 Unscrew bezel to access optic. Twist optic anticlockwise to remove from holder. Reverse procedure to replace optic.

## ADJUSTMENT

To adjust the tilt and pan of the fitting use the supplied 2mm Allen key to loosen off the tilt and pan lock screws.

Once the desired angle is achieved lock off the screws.

**DO NOT** over tighten the screws as this could damage the lock and cause it to no longer function.



## ZTA Zoom (If supplied)

To adjust the angle of the beam rotate the lamptube;  
Clockwise to widen the beam.  
Anticlockwise to tighten.

This fitting will reach a soft stop when the fitting reaches the tightest beam position. Forcing the lamptube to rotate further will damage the fitting.

