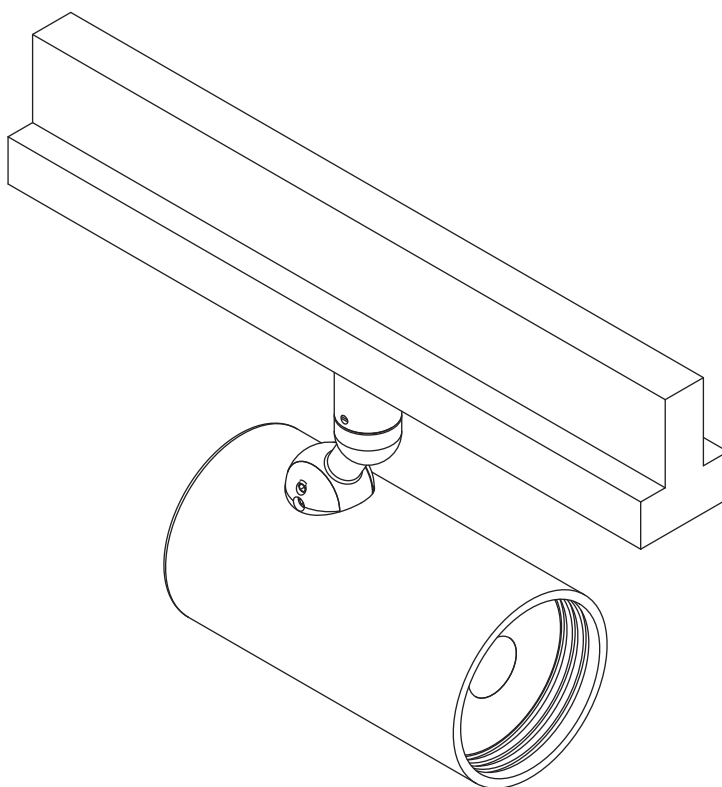



Installation and Maintenance Instructions



IMPORTANT: All wiring connections must be made before switching on mains power.

 Xicato LED Module

IP20 Indoor Use Only

 Please retain these instructions for future reference

Electrical Supply

Installation must be carried out by a qualified electrician in accordance with BS 7671:2008 Wiring Regulations. 230/240V AC 50/60Hz mains supply to suitable lighting track.

Site conditions: LED equipment is more susceptible to static damage and over voltage than previous technology. Before handling or connecting to the mains supply ensure that all Stoane Lighting (SL) products are protected from static discharge and that the mains supply is to regulation. (230V +10 -6%)

This fitting is supplied with a Xicato LED module. Refer to the fitting label for the module version and wattage. More information on the module can be found at www.xicato.com/support

Mains cables must be double insulated, strain relieved and separated from E.L.V output cables.

Observe polarity:
Incorrect supply or reverse polarity can cause irreparable damage.

All connections must be made before switching on mains. If the supply is energised prior to making the connections to the fitting then the resulting surge will damage the LED.

Maintenance:

All lighting equipment is delicate and easily damaged through misuse or inappropriate installation (mechanical or electrical). Repairs and replacements may cause delays and will be chargeable. Contact SL for support if required.

All Stoane Lighting products are covered by a five year Warranty and a 25 year Duty of Care. Products are designed to be upgraded, adapted and refreshed using our comprehensive ReNew service. For more information on our ReNew service and for full Warranty terms and conditions visit stoanelighting.com or contact us at the address shown.

The light source contained in this luminaire shall only be replaced by the manufacturer or his service agent or a similar qualified person.

Installation

Check that the track is mounted securely and is capable of supporting the total weight of the fittings on it.

Fitting Weight : 1.7lbs (0.75kg)

Track must always be mounted to a horizontal ceiling, mounting track vertically or on a wall or at an angle will result in damage to the fittings.

Step 1 Insert the track adaptor into the track and secure via the locking tab.

Whilst holding the fitting turn the locking tab through 90° and the fitting will be locked in place.

Step 2 Rotate the circuit selector to the required circuit.

WARNING: Do not look at exposed LED lamps in operation. Eye injury can result.

Additional items should not be hung or suspended from this fitting. SL takes no responsibility for additional items added by others or the consequences of those items.

When supplying digital equipment with the potential to be connected to networks, physically or wirelessly (i.e. Bluetooth, WiFi, DMX radio etc.), SL does not take responsibility for the digital security of the equipment or associated networks. It is the customer's responsibility to select a protocol suitably robust for their requirements and to ensure responsible utilisation of passwords.

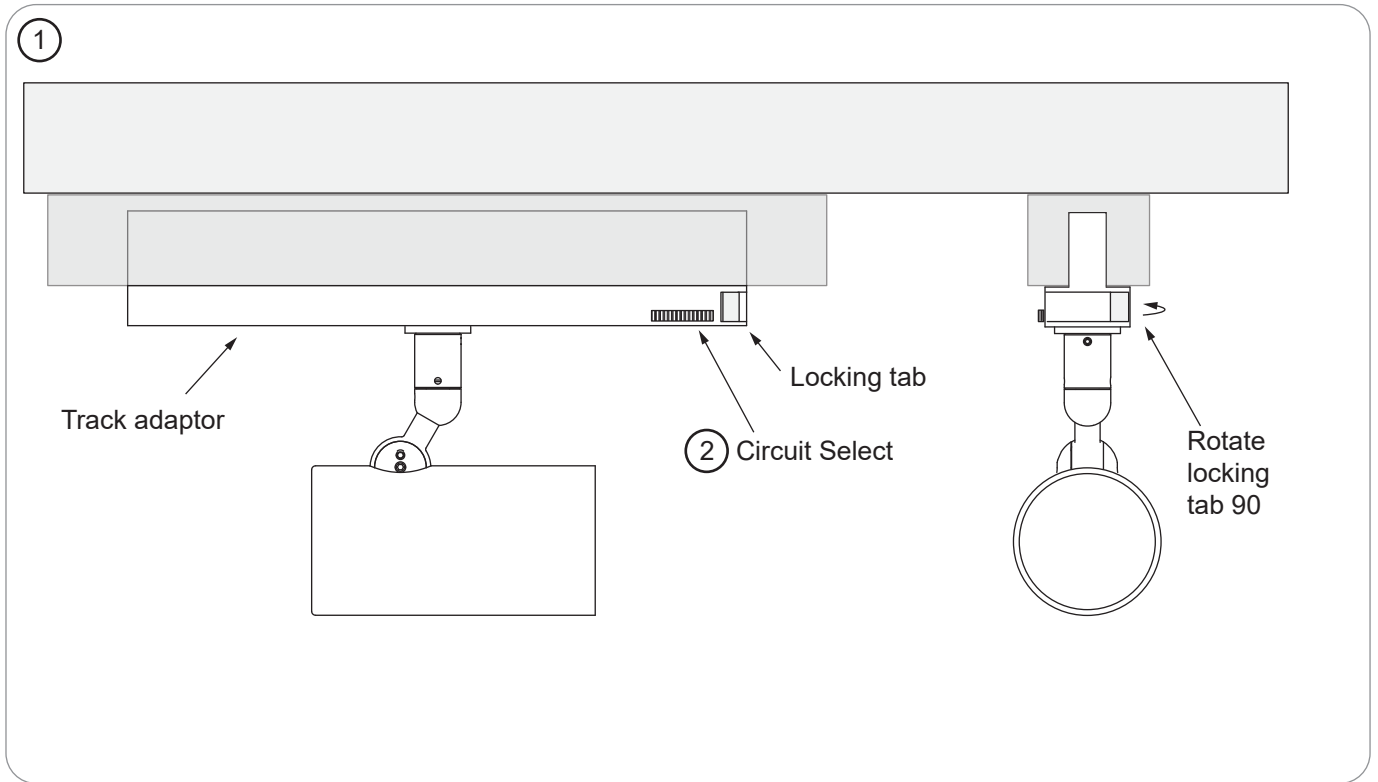
SL can provide assistance on dimming compatibility or control systems by request. For advice on specific dimming systems we recommend seeking assistance from the commissioning engineer or the control systems provider in the first instance.

Cleaning:

Fully isolate the fitting and allow to cool.

Clean the fitting with a slightly damp lint free cloth from a mild solution of soap and water. The fitting must be completely dry before reconnecting power.

Incompatible or abrasive chemicals can damage the fitting, contact SL for advice if required.

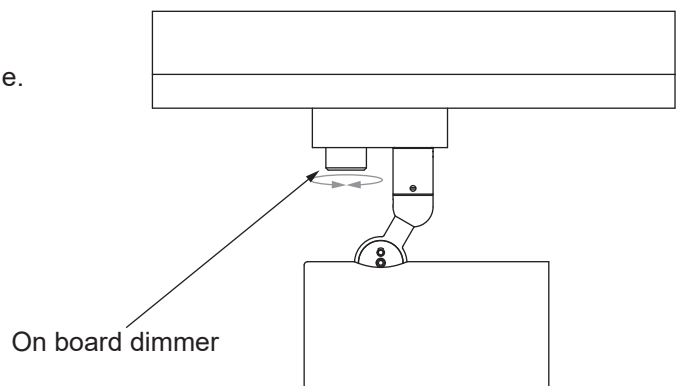


ON BOARD DIMMING (optional)

On optional 1-10V dimming pot version is available.

Rotate the pot to dim as required.

For BLE fittings this pot can be configured during commissioning to set a maximum light level.



MODULE AND ACCESSORIES

The colour temperature and lumen output can be found on the product label on the fitting.

To add/remove accessories:

Isolate the fitting from the supply and allow to cool.

Step 1 Remove the circlip to access the optic and accessories..

Step 2 Change optic/accessories as required and replace circlip to secure.

To replace optic on split heatsink version;

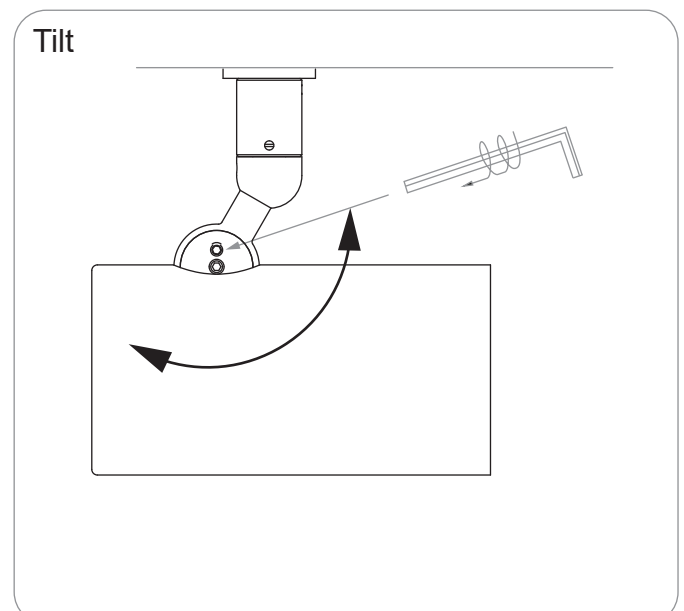
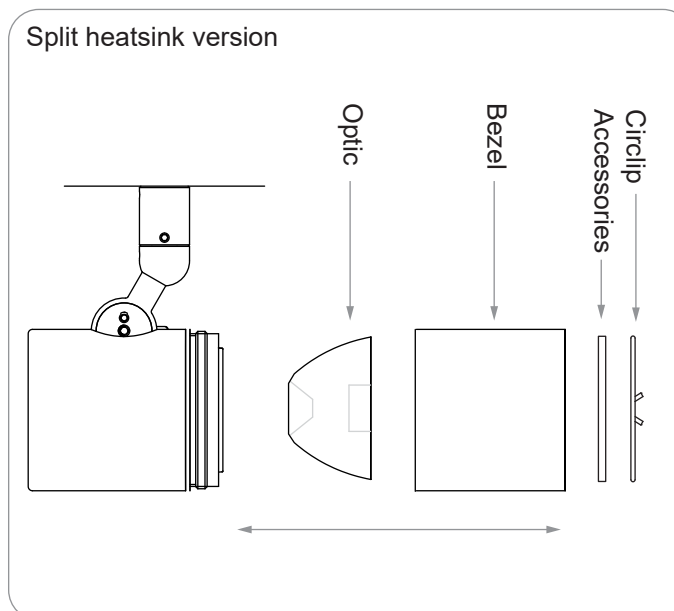
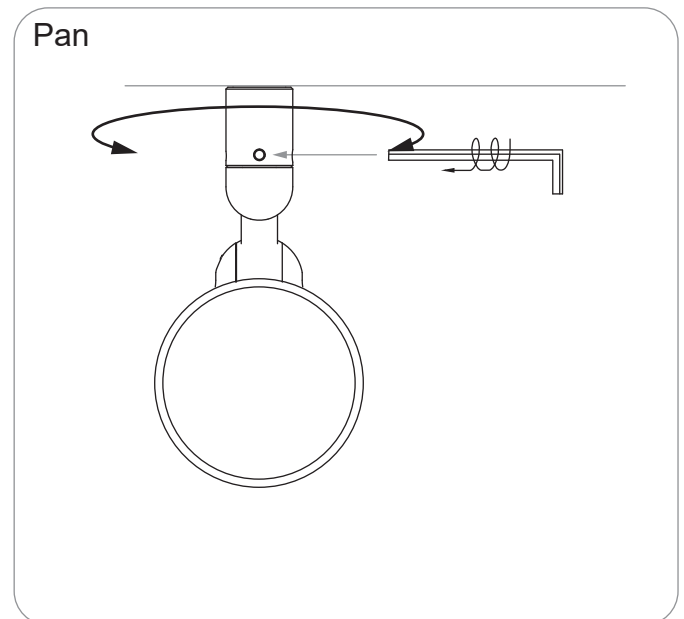
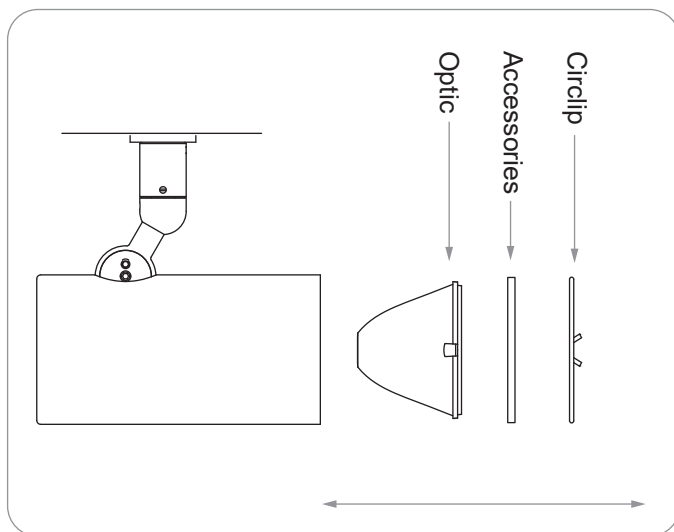
Step 1 Unscrew bezel to access optic and replace as required. Replace the bezel once optic is in place.

ADJUSTMENT

To adjust the tilt and pan of the fitting use the supplied 2mm Allen key to loosen off the tilt and pan lock screws.

Once the desired angle is achieved lock off the screws.

DO NOT over tighten the screws as this could damage the lock and cause it to no longer function.



ZTA Zoom (Optional)

To adjust the angle of the beam rotate the lamptube;
Clockwise to widen the beam.
Anticlockwise to tighten.

This fitting will reach a soft stop when the fitting reaches the tightest beam position. Forcing the lamptube to rotate further will damage the fitting.

