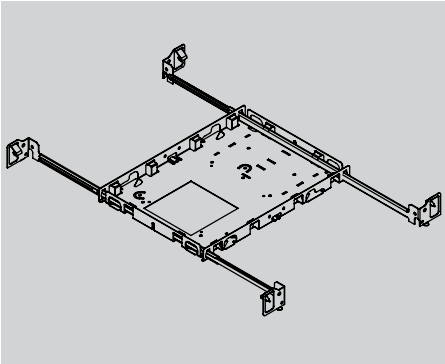
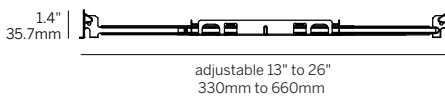
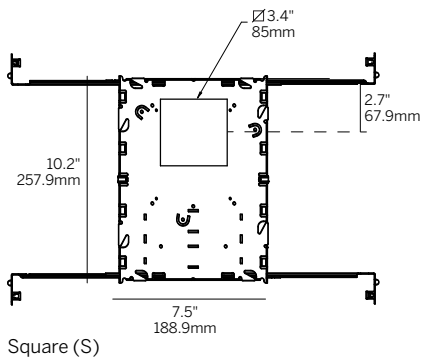
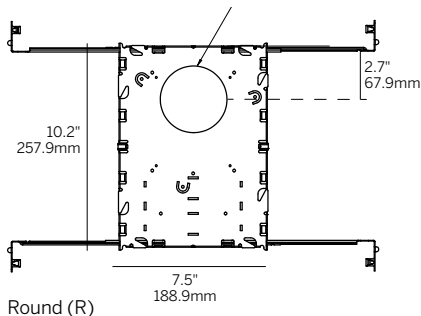


# 3" ProTools Downlights Landing Pan



## Ordering Information for housing only

Model	Opening	Driver <sup>1</sup>
LP = Landing Pan	R S	S S010 SPH PEQ0 RD010 RPEQ0 DALI



### Landing Pan

- Galvanized steel construction.
- Integral junction box and driver accessible through ceiling aperture.
- Supplied with hanger bars that adjust between 13" and 26".

### Opening

- R = Round
- S = Square/Rectangular

### Integral Driver<sup>1</sup>

- S = Standard non-dim driver, 120-277V
- S010 = Standard 10% 0-10V dimming, 120-277V
- SPH = Standard 10% Phase Dimming, 120V only (available in low and mid power only)
- PEQ0 = Lutron Hi-lume Premier 0.1% EcoSystem, 120-277V

### Remote Driver

- RD010 = EldoLED, 1% 0-10V dimming, 120-277V
- RPEQ0 = Lutron Hi-lume Premier 0.1% EcoSystem, 120-277V
- DALI = EldoLED, 0.1%, DALI dimming (Tunable White), 120-277V

<sup>1</sup> Integral power supply depends on product selection.

