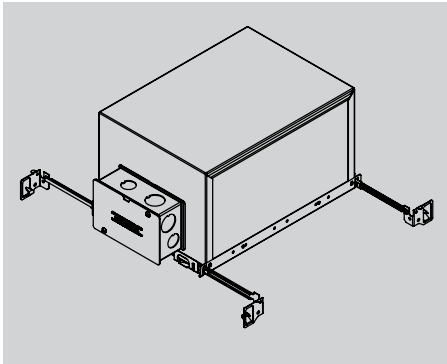


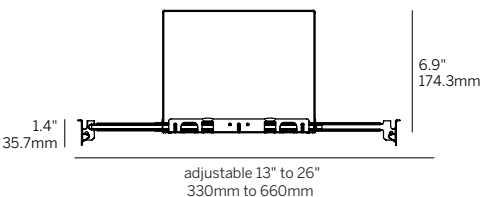
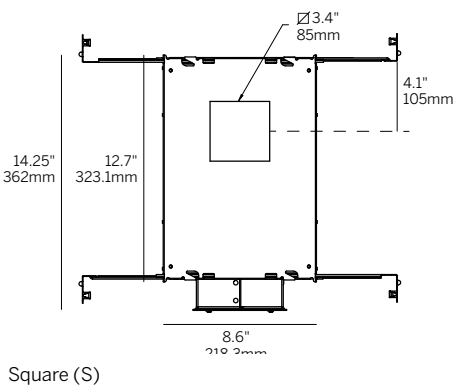
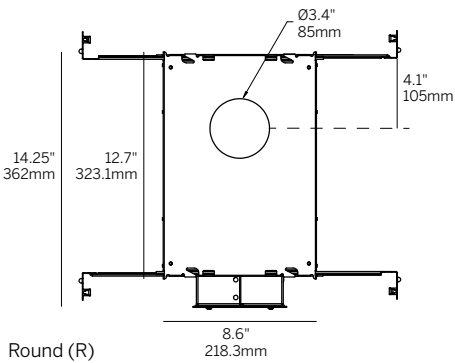
3" ProTools Downlights Insulated Ceiling Housing / Chicago Plenum Housing

inter•lux



Ordering Information for housing only

Model	Opening	Driver ¹
IC = Insulated Ceiling CP = Chicago Plenum	R S	S S010 SPH PEQ0 RD010 RPEQ0 DALI



IC / CP Housing

- Installation Insulated Ceilings and Chicago Plenum.
- Galvanized steel construction.
- Fully caulked corners.
- Integral junction box for wire splice from external power source for accessible ceilings only.
- Supplied with hanger bars that adjust between 13" and 26".
- Anti-vibration embossing.
- Designed for an airflow rate not to exceed 2 CFM.

Opening

- R = Round
- S = Square/Rectangular

Integral Driver¹

- S = Standard non-dim driver, 120-277V
- S010 = Standard 10% 0-10V dimming, 120-277V
- SPH = Standard 10% Phase Dimming, 120V only (available in low and mid power only)
- PEQ0 = Lutron Hi-lume Premier 0.1% EcoSystem, 120-277V

Remote Driver

- RD010 = EldoLED, 1% 0-10V dimming, 120-277V
- RPEQ0 = Lutron Hi-lume Premier 0.1% EcoSystem, 120-277V
- DALI = EldoLED, 0.1%, DALI dimming (Tunable White), 120-277V

¹ Integral power supply depends on product selection. Accessible ceilings only.