

# 3" ProTools

WG-75RPTA-RBT  
WG-75SPTA-RBT

# Installation Instructions

# Downlight

Round and Square  
Adjustable  
Recessed Bezel Trim

**IMPORTANT:** Fixture(s) must be wired in series! Refer to driver wiring document

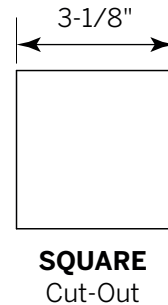
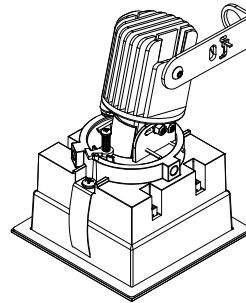
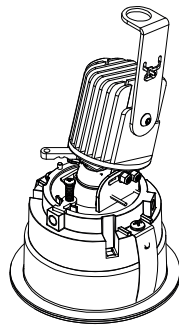
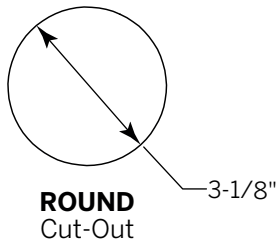
Luminaires must be installed by a qualified electrician. Check with local and national codes for proper installation.



To prevent electrical shock disconnect electrical supply before installation or servicing.

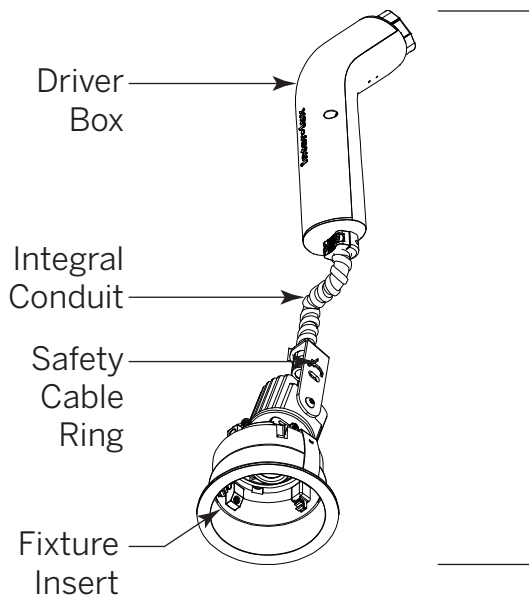
**Never connect a live fixture!!!**

Contractor is responsible for adequately reinforcing walls and/or ceilings to support fixture weight. Provide blocking when necessary.



## Step 1 - Confirm Power Supply is Off!

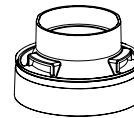
Unpack luminaire unit. Unit ships in **two** major parts: Fixture Insert/Driver Box Assembly, and Lens/Cover unless Remote Driver version was supplied, then Plenum-rated cable with bare leads is provided. In this configuration, integral conduit and driver box are not included. However, a strain relief is added to where the low voltage wires exit. Remote drivers and housings are supplied by Inter-lux.



1

Fixture Insert/  
Driver Box  
Assembly  
Round or Square

2



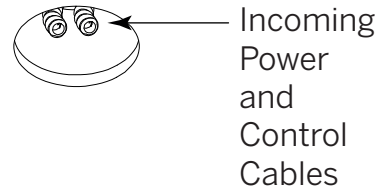
Lens/Cover  
Round or Square  
(Type as specified)

**NOTE:** Safety Cable not supplied with fixture

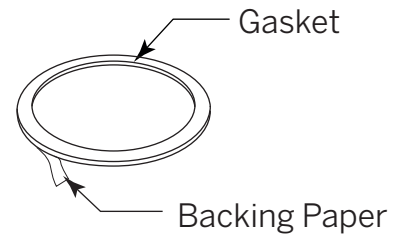
Need Help?

## Step 2 - Ceiling Preparation

Cut appropriate size opening in the ceiling as shown below. Clear any insulation at least 3" from any part of the fixture or driver enclosure.



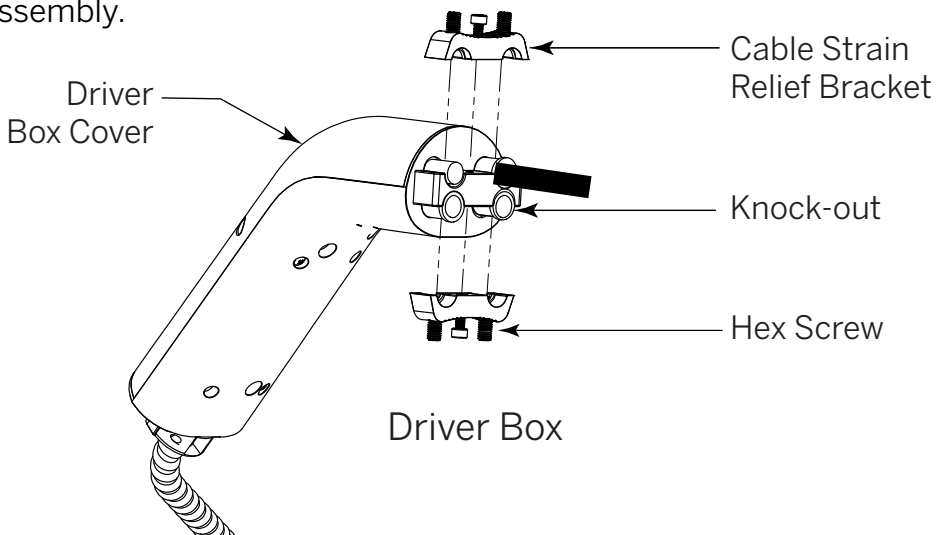
**NOTE:** Before Installation in dry location, remove supplied Gasket. For wet location, remove backing paper from the Gasket, expose adhesive, and apply Gasket to inside trim.



## Step 3 - Wiring

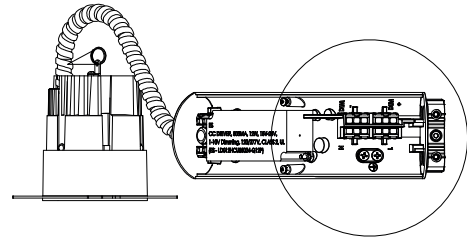
- a** Locate Fixture Insert/Driver Box assembly.
- b** Remove Driver Box Cover. Loosen Cable Strain Relief Bracket(s) and Hex Screws. Remove (unscrew) Knock-outs as necessary.

**NOTE:** Illustrations show conduit exiting from ceiling. This may not be the case in your installation.



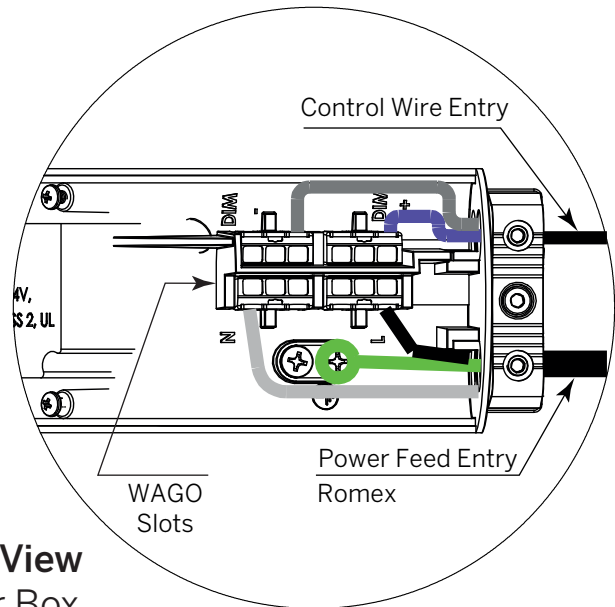
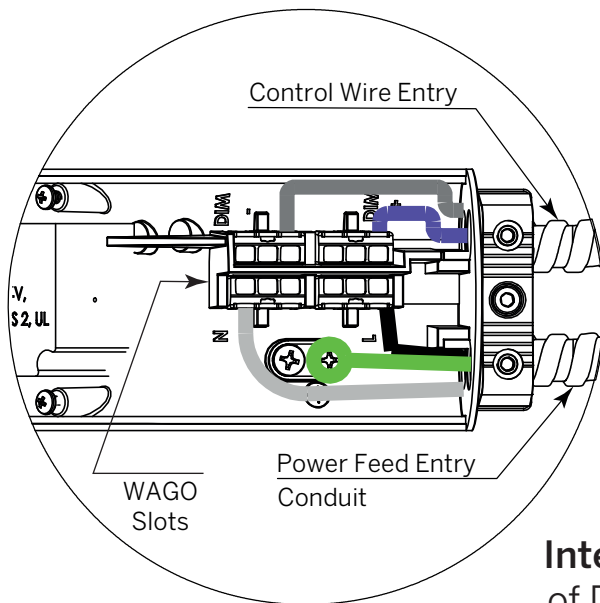
## Step 4 - Wiring (continued)

Connect the Power Feed Cable to the Black (L), White (N) and Green (Gnd) Terminals. Connect the Control Wires, if applicable.



Driver Box  
Connected to  
**Conduit**

Driver Box  
Connected to  
**Romex**



**Interior View**  
of Driver Box

To connect to driver box, incoming conduit must be Trade Size 3/8

However, this size conduit **cannot** enter driver box. It is held in place by Cable Strain Relief Bracket only.

If Romex is used, fasten set screws to secure in addition to closing strain relief bracket.

Use 7/64" allen key to fix set screws.

Refer to Driver Wiring Instructions for other control protocols

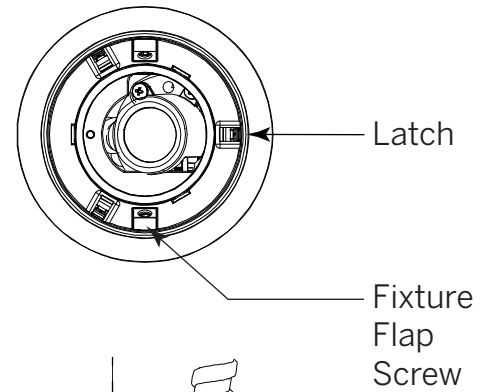
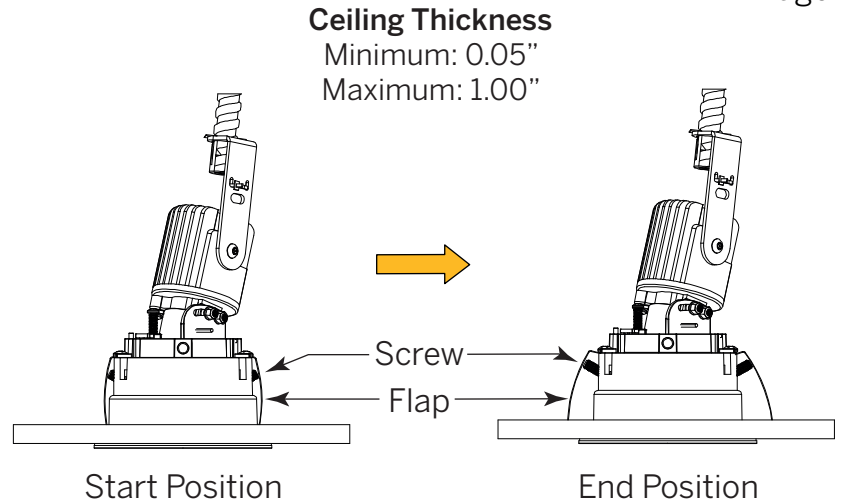


### Step 5 - Securing Fixture Insert

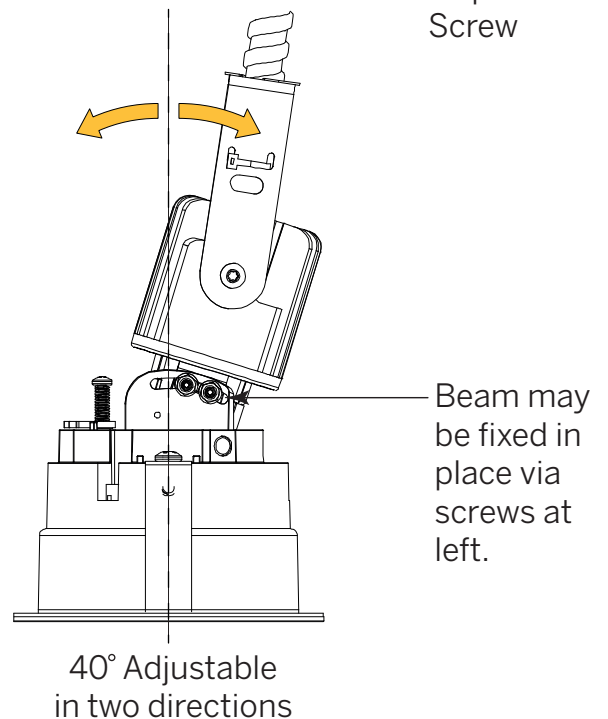
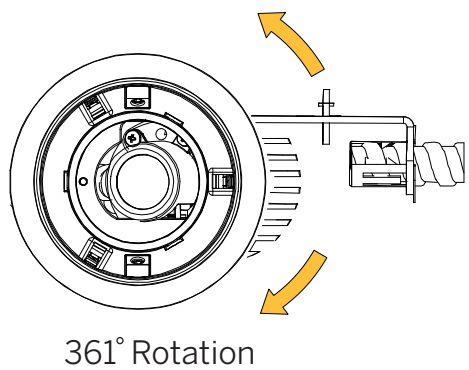
- a** Push fixture insert into hole
- b** Inside insert are two hex-head screws. Turn screws clockwise with a 3/32" allen key (not provided) to secure housing to ceiling.

See illustrations at right. When insert is pushed into ceiling, metal flaps remain close to housing body. As screws are turned, screw push flaps outward, securing housing.

**IMPORTANT:** Be careful not to damage LED or Optic during installation process.

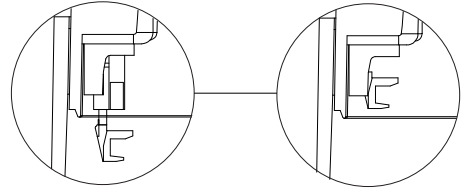


### Step 6 - Adjusting Light Direction



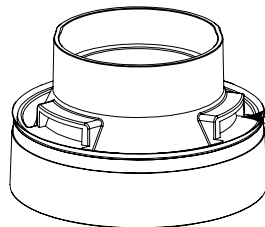
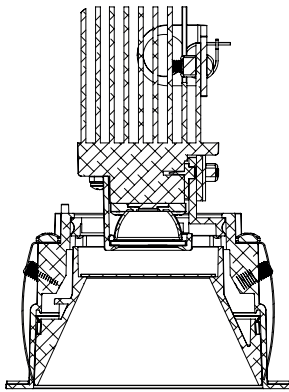
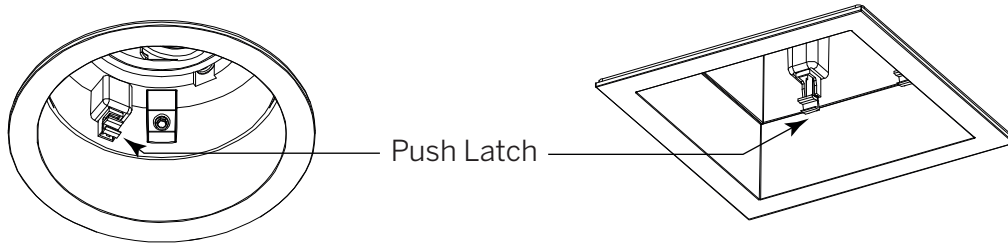
## Step 7 - Inserting Cover/Lens Inside Fixture Insert

- a** Latches are Push-to-lock/ Push-to-release. Check that Latches are **OPEN** (down) to receive Lens/Cover.
- b** Orient Tabs in Lens/Cover with latch locations. Push up into Fixture Insert until a click is heard. Release hand and Lens/Cover will be locked in place.

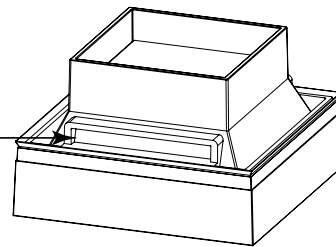


**OPEN**  
Latches Down

**CLOSED**  
Latches Up



Round Recessed Cone  
(RRC)



Square Recessed Cone  
(SRC)

Tab



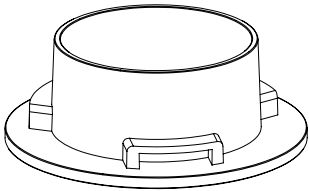
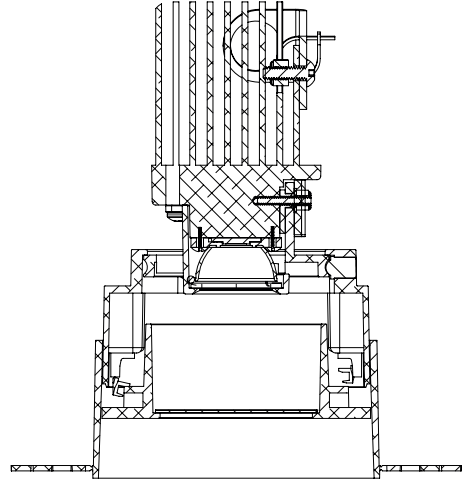
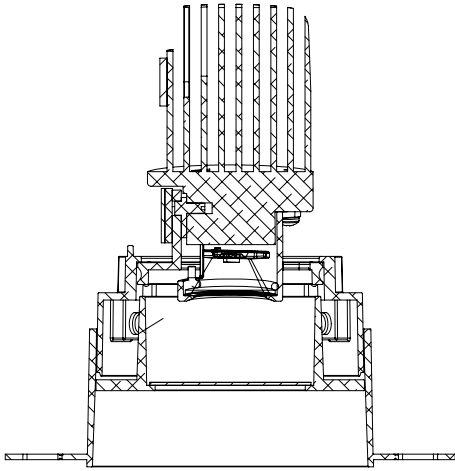
# 3" ProTools

WG-75RPTA-RBT  
WG-75SPTA-RBT

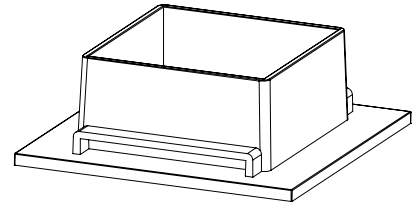
# Installation Instructions

# Downlight

Round and Square  
Adjustable  
Recessed Bezel Trim



Round Regressed Pinhole  
(RRPH)



Square Regressed Pinhole  
(SRPH)

