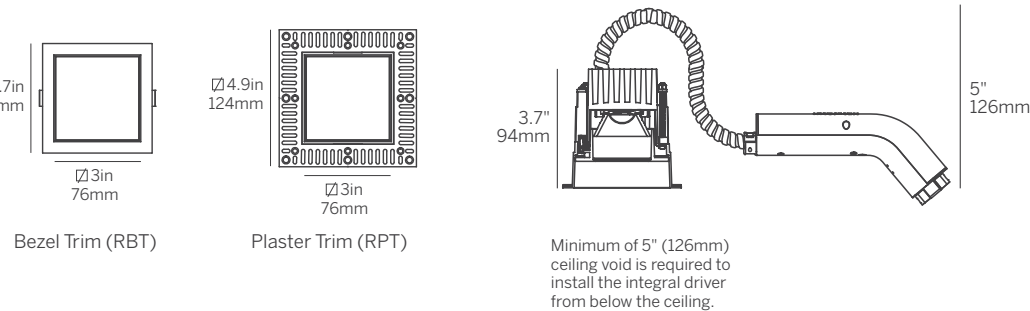


# 3" ProTools Downlight Square Recessed

- Part of a complete family of 3" aperture matching downlights.
- Small aperture, low brightness downlight for general and accent illumination.
- High lumen output and excellent color rendition for all applications.
- Installs from below the ceiling for new and retrofit installations.
- Very shallow ceiling depth required for both integral and remote drivers.
- Standard low luminance reflector finishes with matching trims and trimless.
- Tunable White and Warm Dim.
- Quick-Snap feature for field-configurable multiple combinations.
- EZ-Click Cover installation makes installing or changing Covers easy in the field.
- Quick-screw mounting mechanism to sandwich the ceiling between the trim and housing for a secure installation.

<b>Housing</b>	Die-caste aluminum for precision fit and heat dissipation Mounting hardware for all ceiling types; trim and trimless Quick-screw mounting mechanism EZ-Click Cover installation Trimless housing with Quick-Snap feature allows endless multiple combinations without specialized housings
<b>Covers</b>	Square recessed cone - low brightness, general illumination Flush pinhole - smallest aperture, maximum glare control Regressed pinhole - smallest aperture, maximum glare control Micro-prismatic opal - regressed, evenly diffuse lens for wide distribution
<b>LED</b>	92CRI, 98CRI, 90CRI and 95CRI, 100+ lumens per watt Low/Mid/High output choices 2700K, 3000K, 3500K, 4000K Tunable White from 1800 - 4000K Warm Dim from 1800 - 3000K
<b>Optics</b>	Micro-prismatic opal for wide, even illumination 20, 30, 50, 80 degree symmetrical beam spreads optional regressed diffused lens
<b>Driver</b>	Integral and remote drivers for all dimming and non-dimming applications Through-wire integral driver enclosure installed from below without the need for bulky housing POE driver compatibility
<b>Installation</b>	Not required when using the Driver Enclosure
<b>Housing</b>	Optional: IC and Chicago plenum Optional: New construction (with j-box and driver attached) Optional: Landing pan for use with Driver Enclosure to locate cut-out locations
<b>Warranty</b>	5-year Limited (see complete company warranty information)
<b>Certifications</b>	ETL and ETL-C for dry and damp location, CE, Wet Location rated



Recessed Cone (SRC) / Bezel Trim (RBT)



Micro-prismatic Opal (SMPO) / Bezel Trim (RBT)



Flush Pinhole (SFPH) / Plaster Trim (RPT)



Regressed Pinhole (SRPH) / Plaster Trim (RPT)

# 3" ProTools Downlight Square Recessed

Model	Fixation	Power <sup>1</sup>	CRI	CCT <sup>2,3</sup>	Driver <sup>6</sup>	Cover	Beam	Trim Finish <sup>7</sup>	Cover Finish <sup>7</sup>	Options
WG-75SPTDL	RBT RPT	L	92	27	S	SRC	20	W (std)	W (std)	CP
		M	98	30	S010	SFD	30	S	S	IC
		H		35	SPH	SFPH	50	F	F	NC
				40	PEQ0	SRPH	80			LP
				TW <sup>4</sup>	RD010	SMPO				SH
				WD	RPEQ0					WL
			DALI <sup>4</sup>					RDL		

**Model**  
■ WG-75SPTDL = 3" ProTools Downlight Square Recessed

**Fixation**  
■ RBT = Recessed Bezel Trim  
■ RPT = Recessed Plaster Trim

**Power<sup>1</sup>**  
■ L = Low Power, 5.9W @ 350mA  
■ M = Mid Power, 8.6W @ 500mA  
■ H = High Power, 12.4W @ 700mA  
■ TW = 9W @ 500mA  
■ WD = 11.8W @ 350mA

**CRI**  
■ 92 = 92 CRI  
■ 98 = 98 CRI  
■ 90 = 90 CRI (TW only)  
■ 95 = 95 CRI (WD only)

**CCT<sup>2,3</sup>**  
(Low/Mid/High Power)  
■ 27 = 2700K, (727/989/1306 lm)  
■ 30 = 3000K, (782/1064/1405 lm)  
■ 35 = 3500K, (782/1064/1405 lm)  
■ 40 = 4000K, (837/1139/1505 lm)  
■ TW = Tunable White 1800 - 4000K, (610 - 1060 lm)<sup>4</sup>  
■ WD = Warm Dimming 1800 - 3000K, (31 - 1150 lm)<sup>5</sup>

**Integral Driver<sup>6</sup>**  
■ S = Standard non-dim driver, 120-277V  
■ S010 = Standard 10% 0-10V dimming, 120-277V  
■ SPH = Standard 10% Phase Dimming, 120V only (available in low and mid power only)  
■ PEQ0 = Lutron Hi-lume Premier 0.1% EcoSystem, SoftOn/FadeToBlack, 120-277V

**Remote Driver<sup>6</sup>**  
■ RD010 = EldoLED, 1% 0-10V dimming, 120-277V  
■ RPEQ0 = Lutron Hi-lume Premier 0.1% EcoSystem, SoftOn/FadeToBlack, 120-277V  
■ DALI = EldoLED, 0.1%, DALI dimming (Tunable White), 120-277V<sup>4</sup>

**Cover**  
■ SRC = Square Recessed Cone  
■ SFD = Square Flush Diffuser  
■ SFPH = Square Flush Pinhole  
■ SRPH = Square Regressed Pinhole  
■ SMPO = Square Micro-prismatic Opal

**Beam**  
■ 20 = 20° Beam Angle  
■ 30 = 30° Beam Angle  
■ 50 = 50° Beam Angle  
■ 80 = 80° Beam Angle (SMPO only)

**Trim Finish<sup>7</sup>**  
■ W = White, 15% gloss, Tiger Drylac 49/11350 (standard)  
■ S = Silver, 15% gloss, Tiger Drylac 49/90500  
■ F = Custom finish, specify RAL code

**Cover Finish<sup>7</sup>**  
■ W = White, 15% gloss, Tiger Drylac 49/11350 (standard)  
■ S = Silver, 15% gloss, Tiger Drylac 49/90500  
■ F = Custom finish, specify RAL code

**Options**  
■ CP = Chicago Plenum Housing  
■ IC = Insulated Ceiling Housing  
■ NC = New Construction Housing  
■ LP = Landing Pan (specify for Acoustic Ceiling Tile installation)  
■ SH = Reduces required plenum space to 3.5" (89mm) (available in low and Mid power S, S010 and SPH drivers only)  
■ WL = Wet Location (available only with SRC and SMPO)  
■ RDL = Regressed Diffused Lens (available with SRC and SRPH only)

**Emergency Remote Only**  
■ Emergency LED battery backup available, ordered separately

Whitegoods reserves the right to change any information without prior notice.

- Notes**
- 1 Wattage shown does not include power supplies/drivers. System wattage adds 10-20%.
  - 2 Other lumen packages available, consult factory.
  - 3 Source lumens shown, see IES files for delivered lumens.
  - 4 Available with NC, IC or CP Housing in accessible ceiling or remote driver only.
  - 5 WD available with PEQ0 integral driver, and RD010, RPEQ0 remote drivers.
  - 6 See power supply page for details.
  - 7 See Tiger Drylac color chart: [inter-lux.com/tiger](http://inter-lux.com/tiger)