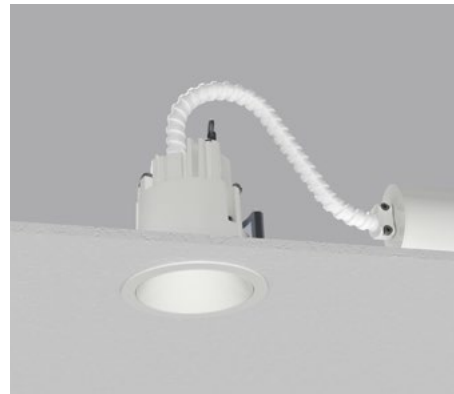
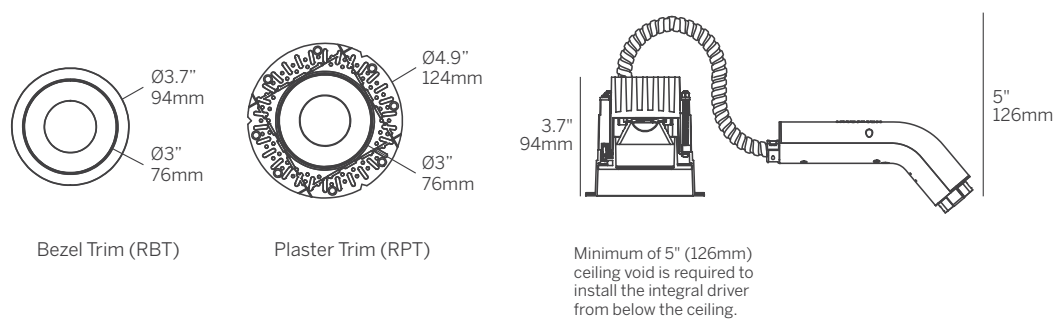


3" ProTools Downlight Round Recessed

- Part of a complete family of 3" aperture matching downlights.
- Small aperture, low brightness downlight for general and accent illumination.
- High lumen output and excellent color rendition for all applications.
- Installs from below the ceiling for new and retrofit installations.
- Very shallow ceiling depth required for both integral and remote drivers.
- Standard low luminance reflector finishes with matching trims and trimless.
- Tunable White and Warm Dim.
- Quick-Snap feature for field-configurable multiple combinations.
- EZ-Click Cover installation makes installing or changing Covers easy in the field.
- Quick-screw mounting mechanism to sandwich the ceiling between the trim and housing for a secure installation.

| | |
|-----------------------|--|
| Housing | Die-caste aluminum for precision fit and heat dissipation Mounting hardware for all ceiling types; trim and trimless Quick-screw mounting mechanism EZ-Click Cover installation Trimless housing with Quick-Snap feature allows endless multiple combinations without specialized housings |
| Covers | Round recessed cone - low brightness, general illumination Flush pinhole - smallest aperture, maximum glare control Regressed pinhole - smallest aperture, maximum glare control Micro-prismatic opal - regressed, evenly diffuse lens for wide distribution |
| LED | 92CRI, 98CRI, 90CRI and 95CRI, 100+ lumens per watt Low/Mid/High output choices 2700K, 3000K, 3500K, 4000K Tunable White from 1800 - 4000K Warm Dim from 1800 - 3000K |
| Optics | Micro-prismatic opal for wide, even illumination, 80 degree beam spread 20, 30, 50, 80 degree symmetrical beam spreads optional regressed diffused lens |
| Driver | Integral and remote drivers for all dimming and non-dimming applications Through-wire integral driver enclosure installed from below without the need for bulky housing POE driver compatibility |
| Installation | Not required when using the Driver Enclosure |
| Housing | Optional: IC and Chicago plenum Optional: New construction (with j-box and driver attached) Optional: Landing pan for use with Driver Enclosure to locate cut-out locations |
| Warranty | 5-year Limited (see complete company warranty information) |
| Certifications | ETL and ETL-C for dry and damp location, CE, Wet Location rated |



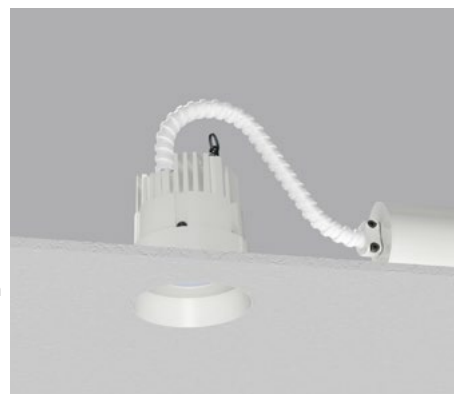
Recessed Cone (RRC) / Bezel Trim (RBT)



Micro-prismatic Opal (RMPO) / Bezel Trim (RBT)



Flush Pinhole (RFPH) / Plaster Trim (RPT)



Regressed Pinhole (RRPH) / Plaster Trim (RPT)

3" ProTools Downlight Round Recessed

| Model | Fixation | Power ¹ | CRI | CCT ^{2,3} | Driver ⁶ | Cover | Beam | Trim Finish ⁷ | Cover Finish ⁷ | Options |
|------------|------------|--------------------|-----|--------------------|---------------------|-------|------|--------------------------|---------------------------|---------|
| WG-75RPTDL | RBT RPT | L | 92 | 27 | S | RRC | 20 | W (std) | W (std) | CP |
| | | M | 98 | 30 | S010 | RFD | 30 | S | S | IC |
| | | H | | 35 | SPH | RFPH | 50 | F | F | NC |
| | | | | 40 | PEQ0 | RRPH | 80 | | | LP |
| | | | | | RD010 | RMPO | | | | SH |
| | | TW | 90 | TW ⁴ | RPEQ0 | | | | WL | |
| | | WD | 95 | WD ⁵ | DALI ⁴ | | | | RDL | |

Model

- WG-75RPTDL = 3" ProTools Downlight Round Recessed

Fixation

- RBT = Recessed Bezel Trim
- RPT = Recessed Plaster Trim

Power¹

- L = Low Power, 5.9W @ 350mA
- M = Mid Power, 8.6W @ 500mA
- H = High Power, 12.4W @ 700mA
- TW = 9W @ 500mA
- WD = 11.8W @ 350mA

CRI

- 92 = 92 CRI
- 98 = 98 CRI
- 90 = 90 CRI (TW only)
- 95 = 95 CRI (WD only)

CCT^{2,3}

(Low/Mid/High Power)

- 27 = 2700K, (727/989/1306 lm)
- 30 = 3000K, (782/1064/1405 lm)
- 35 = 3500K, (782/1064/1405 lm)
- 40 = 4000K, (837/1139/1505 lm)
- TW = Tunable White 1800 - 4000K, (610 - 1060 lm)⁴
- WD = Warm Dimming 1800 - 3000K, (31 - 1150 lm)⁵

Integral Driver⁶

- S = Standard non-dim driver, 120-277V
- S010 = Standard 10% 0-10V dimming, 120-277V
- SPH = Standard 10% Phase Dimming, 120V only (available in low and mid power only)
- PEQ0 = Lutron Hi-lume Premier 0.1% EcoSystem, SoftOn/FadeToBlack, 120-277V

Remote Driver⁶

- RD010 = EldoLED, 1% 0-10V dimming, 120-277V
- RPEQ0 = Lutron Hi-lume Premier 0.1% EcoSystem, SoftOn/FadeToBlack, 120-277V
- DALI = EldoLED, 0.1%, DALI dimming (Tunable White), 120-277V⁴

Cover

- RRC = Round Recessed Cone
- RFD = Round Flush Diffuser
- RFPH = Round Flush Pinhole
- RRPH = Round Regressed Pinhole
- RMPO = Round Micro-prismatic Opal

Beam

- 20 = 20° Beam Angle
- 30 = 30° Beam Angle
- 50 = 50° Beam Angle
- 80 = 80° Beam Angle (RMPO only)

Trim Finish⁷

- W = White, 15% gloss, Tiger Drylac 49/11350 (standard)
- S = Silver, 15% gloss, Tiger Drylac 49/90500
- F = Custom finish, specify RAL code

Cover Finish⁷

- W = White, 15% gloss, Tiger Drylac 49/11350 (standard)
- S = Silver, 15% gloss, Tiger Drylac 49/90500
- F = Custom finish, specify RAL code

Options

- CP = Chicago Plenum Housing
- IC = Insulated Ceiling Housing
- NC = New Construction Housing
- LP = Landing Pan (specify for Acoustic Ceiling Tile installation)
- SH = Reduces required plenum space to 3.5" (89mm) (available in low and Mid power S, S010 and SPH drivers only)
- WL = Wet Location (available only with RRC and RMPO)
- RDL = Regressed Diffused Lens (available with RRC and RRPH only)

Emergency Remote Only

- Emergency LED battery backup available, ordered separately

Whitegoods reserves the right to change any information without prior notice.

Notes

- 1 Wattage shown does not include power supplies/drivers. System wattage adds 10-20%.
- 2 Other lumen packages available, consult factory.
- 3 Source lumens shown, see IES files for delivered lumens.
- 4 Available with NC, IC or CP Housing in accessible ceiling or remote driver only.
- 5 WD available with PEQ0 integral driver, and RD010, RPEQ0 remote drivers.
- 6 See power supply page for details.
- 7 See Tiger Drylac color chart: inter-lux.com/tiger