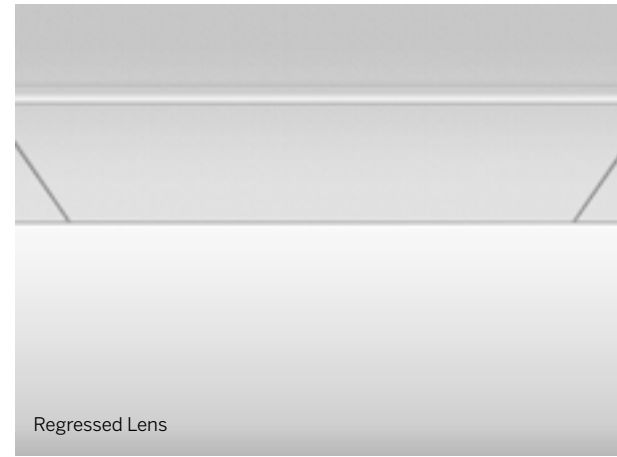


ProTools 60 Linear Wall Wash Recessed

- 2.4" aperture, integrated solution that is compatible with all ceiling types
- Standard and tailored run lengths, including corners
- Wash to 30' wall height
- Extreme brightness control and the elimination of disturbing glare
- Modularity of insert modules for ultimate design flexibility
- Consistent LED technology throughout the Whitegoods product range
- Evenly illuminate the wall from top to the bottom with smooth gradation
- Flexible design allows exact wall-to-wall dimensions
- Flicker-free full range dimming with standard driver (Eldoled)
- Manufactured in the USA

Housing	Precision extruded aluminum for true dimensions and tolerances Toolless component assembly from below Perfect fit with inserts, louvers and lenses Standard and tailored lengths including corner configurations Recessed snap-in cover for non-illuminated section Finishes: white, silver and custom
Integration	Fixation into gypsum, hard ceilings and all grid ceiling types
Distribution	Wall Wash
LED	>90 CRI, 3-Step MacAdam, 2700-4000K static white, constant current 3W - 15W per foot, 180 Lumens/watt average* RA 91-94 (2700-4000K) Conformal coated for protection against humidity optional L70 (TM21 Projected 85C) 72,000 hours Tuneable white 2200-4000K, 180 lumens per watt average
Optic	Linear micro-prismatic lens - diffusion and high efficiency UGR average rating of 19
Reflector	White: high efficiency Silver: low brightness All 15% gloss Custom finish available
Driver	Compatible with quality constant current drivers
Connectivity	POE Wireless
Weight	4lbs per foot
Operating Temp	Suitable for operation in maximum ambient temperature of 35C (95F)
Warranty	5-year Limited (see complete company warranty information)
Certifications	ETL and ETL-C for dry and damp location, CE, Chicago plenum
Voltages	120-277VAC, 347VAC

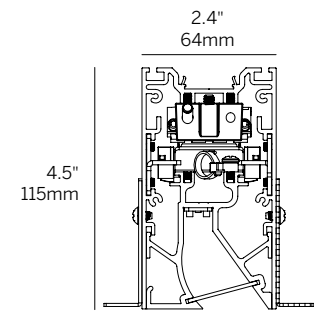
*nominal lumens



Regressed Lens



Recessed Lens



Recessed Lens + Wall Wash (LML + WW)

ProTools 60 Linear Wall Wash Recessed

Model	Fixation	Pattern	Length ²	CRI/CCT	Optic	Beam	Power ⁴	Driver ⁵	Housing Finish ⁶	Reflector Finish ⁶	Options
WG-60PTLWW	RPT	S	24	927	LML	WW	P1	E1	W	W	CP
	RBT	P ¹	48	930							
	RG9	PZ ¹	96	935							
	RG15		XX ³	940							
	RGS			TW							

Model

- WG-60PTLWW = ProTools 60 Linear Wall Wash

Fixation

- RPT = Recessed plaster trim
- RBT = Recessed trim for hard ceiling
- RG9 = Recessed trim for 9/16" grid
- RG15 = Recessed trim for 15/16" grid
- RGS = Recessed trim for slot ceiling

Pattern

- S = Straight run
- P = Standard patterns 2, 3 or 4 sided with 90° corners on the same plane¹
- PZ = Non-standard patterns and/or corners other than 90° on multiple planes, consult factory¹

Length²

- 24 = 24"
- 48 = 48"
- 96 = 96"
- XX = Specify inches to the nearest 0.25"³

CRI/CCT

- 90+ CRI
- 927 = 2700K
- 930 = 3000K
- 935 = 3500K
- 940 = 4000K
- TW = Tuneable white 2200-4000K

Optic

- LML = Linear micro-prismatic lens

Beam

- WW = Wall Wash

Power⁴

- Static White
- P1 = 3W/ft (225 lm/ft)
- P2 = 6W/ft (420 lm/ft)
- P3 = 10W/ft (640 lm/ft)
- P4 = 15W/ft (950 lm/ft)
- Tuneable White
- P2 = 6W/ft
- P3 = 10W/ft

Driver⁵

- E1 = EldoLED 0.1% dimming, 0-10V (120-277V)
- L1 = Lutron 1% dimming, Ecosystem (120-277V)
- A3 = Advance 1% dimming, 0-10V (347V ONLY)
- PoE = Power over Ethernet
- BT = Wireless CAS – Casambi
- TQ = T-Series for Lutron Quantum 0.1% (120-277V) (Tunable white ONLY)
- DMX = EldoLED 0.1% dimming DMX (120-277V)

Housing Finish (Includes kick reflector)⁶

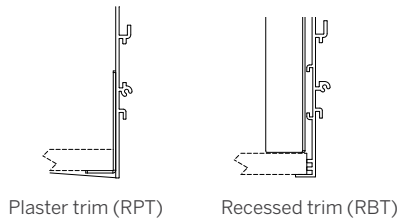
- W = White, 15% gloss, Tiger Drylac 49/11350 (standard)
- S = Silver, 15% gloss, Tiger Drylac 49/90500
- F = Custom finished trim, specify RAL

Reflector Finish (Wall side only)⁶

- W = White, 15% gloss, Tiger Drylac 49/11350
- S = Silver, 15% gloss, Tiger Drylac 49/90500
- F = Custom finished trim, specify RAL

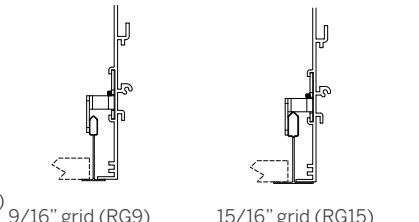
Options

- CP = Chicago Plenum Rated
- EM = Emergency (remote)
- NYC = 6' whip per run
- TF = Top feed



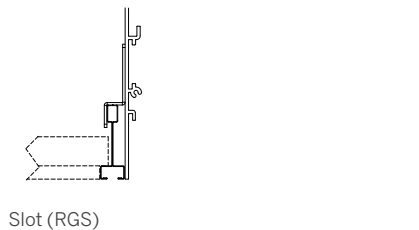
Plaster trim (RPT)

Recessed trim (RBT)



9/16" grid (RG9)

15/16" grid (RG15)



Slot (RGS)

Whitegoods reserves the right to change any information without prior notice.

Notes

- 1 See pattern spec sheet.
- 2 Individual fixture lengths less than 2' may require remote driver.
- 3 For Lensed products, specify to nearest 0.25".
- 4 Values are approximate delivered lumens for 3000K LEDs; refer to product data sheet for additional details.
- 5 See power supply page for details.
- 6 See Tiger Drylac color chart: inter-lux.com/tiger