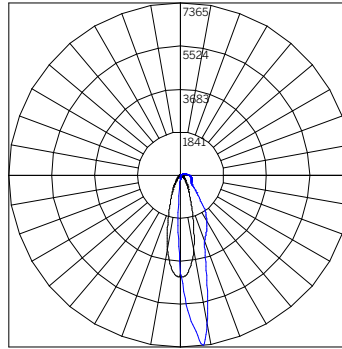


ProTools 60 Linear Wall Graze Recessed

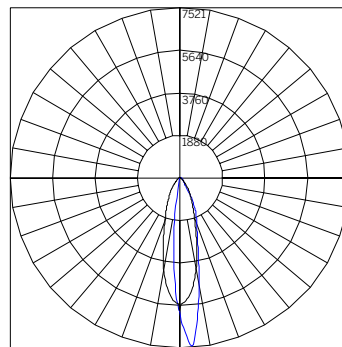
WG-60PTLWG-...-RLW-WG-...-W Delivered Lumens Per Foot					
		Power			
		P1 [3 W/ft]	P2 [6 W/ft]	P3 [10 W/ft]	P4 [15 W/ft]
CCT	927	356	659	994	1424
	930	367	679	1025	1469
	935	379	700	1055	1513
	940	390	721	1086	1557
		Power Multiplier			
		P1 [3 W/ft]	P2 [6 W/ft]	P3 [10 W/ft]	P4 [15 W/ft]
		0.25	0.46	0.70	1.00
		CCT Multiplier			
		927	930	935	940
		0.97	1.00	1.03	1.06



BEAM ANGLE (0-180) = 18.3
BEAM ANGLE (90-270) = 23.2

ILLUMINANCE - 24" RLW-WG P4 3000K WG-60PTLWG-...-S-24-930-RLW-WG-P4-...-W ¹		
Mounting Height [ft]	Illuminance [fc at max cd]	Beam Width [Ft]
3	818	1.0
6	205	1.9
9	91	2.9
12	51	3.9
15	33	4.8
18	23	5.8
21	17	6.7
24	13	7.7
27	10	8.7
30	8	9.6

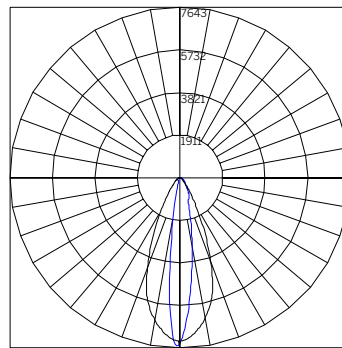
WG-60PTLWG-...-RLB-WG-...-W Delivered Lumens Per Foot					
		Power			
		P1 [3 W/ft]	P2 [6 W/ft]	P3 [10 W/ft]	P4 [15 W/ft]
CCT	927	210	388	586	840
	930	217	400	604	866
	935	223	413	622	892
	940	230	425	641	918
		Power Multiplier			
		P1 [3 W/ft]	P2 [6 W/ft]	P3 [10 W/ft]	P4 [15 W/ft]
		0.25	0.46	0.70	1.00
		CCT Multiplier			
		927	930	935	940
		0.97	1.00	1.03	1.06



BEAM ANGLE (0-180) = 15.0
BEAM ANGLE (90-270) = 29.0

ILLUMINANCE - 24" RLB-WG P4 3000K WG-60PTLWG-...-S-24-930-RLB-WG-P4-...-W ¹		
Mounting Height [ft]	Illuminance [fc at max cd]	Beam Width [Ft]
3	836	0.8
6	209	1.6
9	93	2.4
12	52	3.2
15	33	3.9
18	23	4.7
21	17	5.5
24	13	6.3
27	10	7.1
30	8	7.9

WG-60PTLWG-...-REO-WG-...-W-W Delivered Lumens Per Foot					
		Power			
		P1 [3 W/ft]	P2 [6 W/ft]	P3 [10 W/ft]	P4 [15 W/ft]
CCT	927	282	521	786	1127
	930	291	537	811	1162
	935	299	554	835	1197
	940	308	570	859	1232
		Power Multiplier			
		P1 [3 W/ft]	P2 [6 W/ft]	P3 [10 W/ft]	P4 [15 W/ft]
		0.25	0.46	0.70	1.00
		CCT Multiplier			
		927	930	935	940
		0.97	1.00	1.03	1.06



BEAM ANGLE (0-180) = 15.0
BEAM ANGLE (90-270) = 29.0

ILLUMINANCE - 24" REO-WG P4 3000K WG-60PTLWG-...-S-24-930-REO-WG-P4-...-W ¹		
Mounting Height [ft]	Illuminance [fc at max cd]	Beam Width [Ft]
3	849	0.8
6	212	1.6
9	94	2.4
12	53	3.2
15	34	3.9
18	24	4.7
21	17	5.5
24	13	6.3
27	10	7.1
30	8	7.9

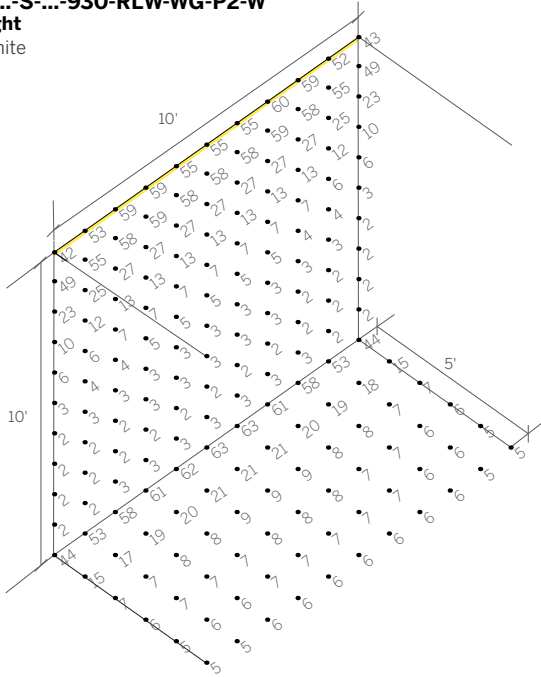
PROTOOLS 60 LINEAR UGR + FIXTURE EFFICIENCY					
		UGR ²			
		P1 [3W/ft]	P2 [6W/ft]	P3 [10W/ft]	P4 [15W/ft]
OPTIC - BEAM	RLW-WG	35.2	37.3	38.8	40.0
	RLB-WG	9.3	11.5	13.0	14.3
	REO-WG	22.1	24.3	25.8	27.1

1 Polar Plot and Cone of Light are applicable to part number noted; use Multiplication Factor table to approximate other models or refer to online photometry.
2 UGR value noted is the maximum UGR (crosswise) with 930 LEDs at noted Power level.

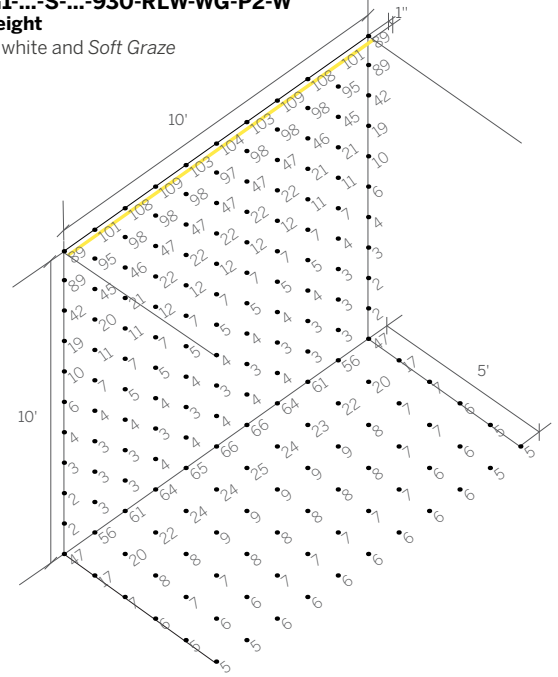
ProTools 60 Linear Wall Graze

Isoilluminance

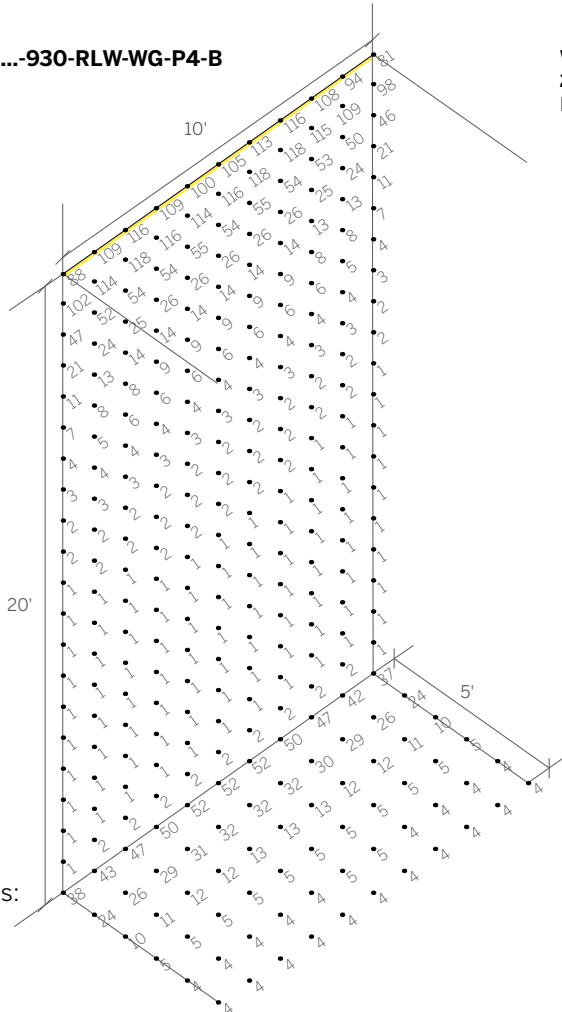
WG-60PTLWG-...-S-...-930-RLW-WG-P2-W
10'-0" ceiling height
 Recessed louver white



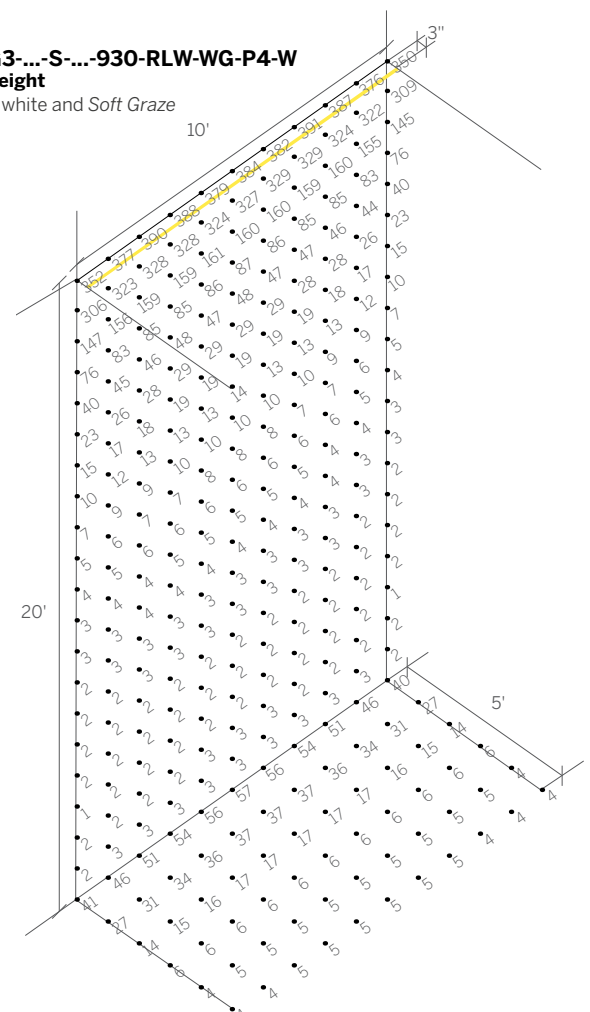
WG-60PTLSG1-...-S-...-930-RLW-WG-P2-W
10'-0" ceiling height
 Recessed louver white and Soft Graze



WG-60PTLWG-...-S-...-930-RLW-WG-P4-B
20'-0" ceiling height
 Recessed louver white



WG-60PTLSG3-...-S-...-930-RLW-WG-P4-W
20'-0" ceiling height
 Recessed louver white and Soft Graze



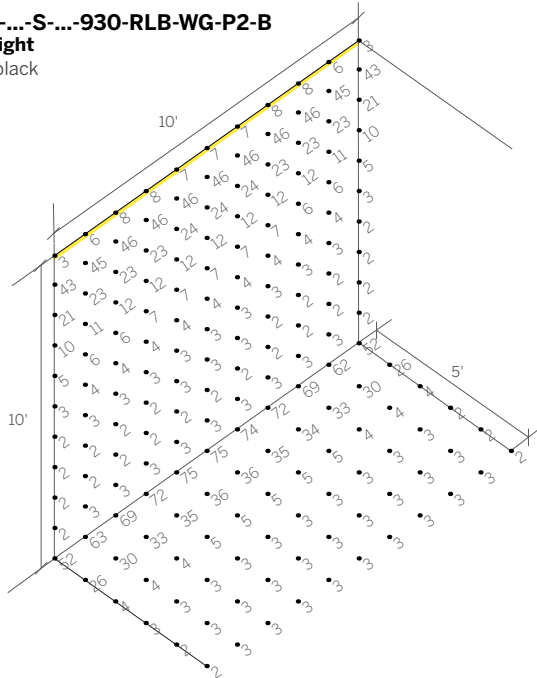
Surface reflectances:
 80% Ceiling
 50% Wall
 20% Floor

Illuminance points are spaced 1'-0" on center.
 Illuminance values are shown in units of foot-candles.

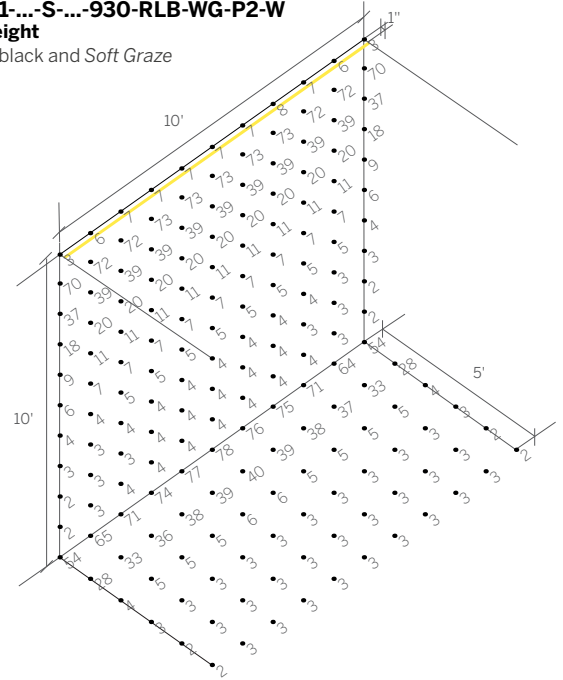
ProTools 60 Linear Wall Graze

Isoilluminance

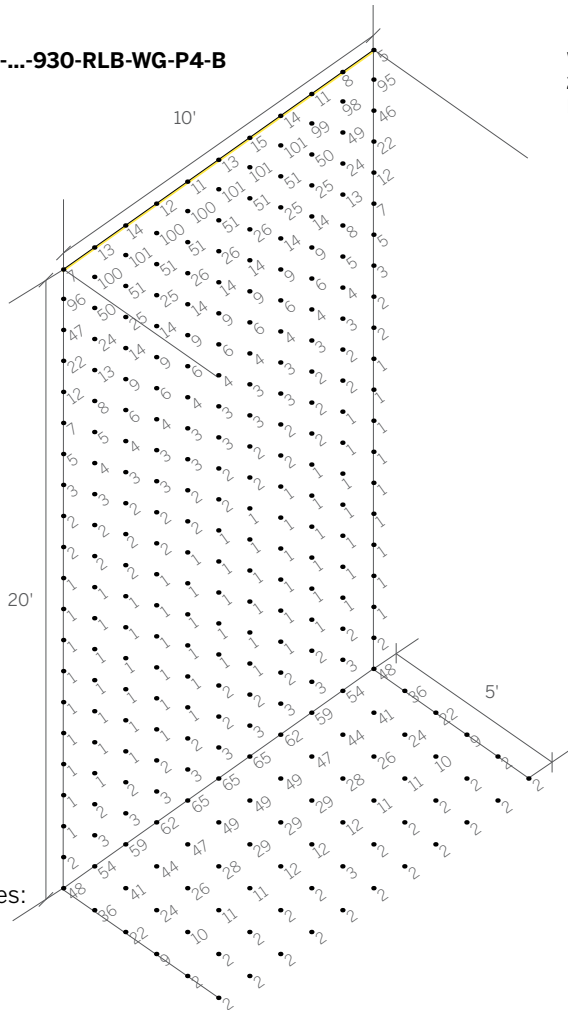
WG-60PTLWG-...-S-...-930-RLB-WG-P2-B
10'-0" ceiling height
 Recessed louver black



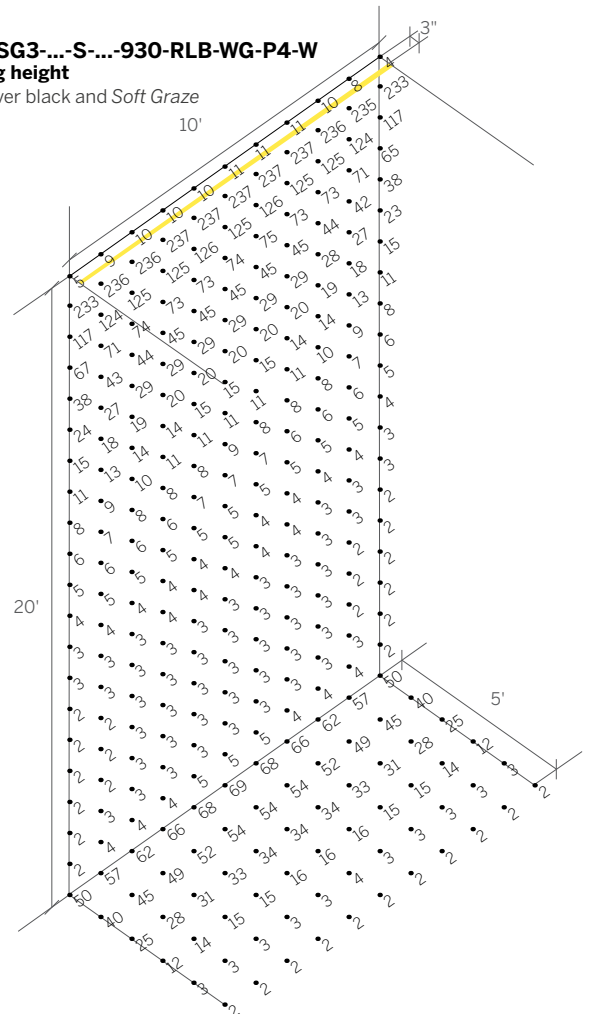
WG-60PTLSG1-...-S-...-930-RLB-WG-P2-W
10'-0" ceiling height
 Recessed louver black and Soft Graze



WG-60PTLWG-...-S-...-930-RLB-WG-P4-B
20'-0" ceiling height
 Recessed louver black



WG-60PTLSG3-...-S-...-930-RLB-WG-P4-W
20'-0" ceiling height
 Recessed louver black and Soft Graze



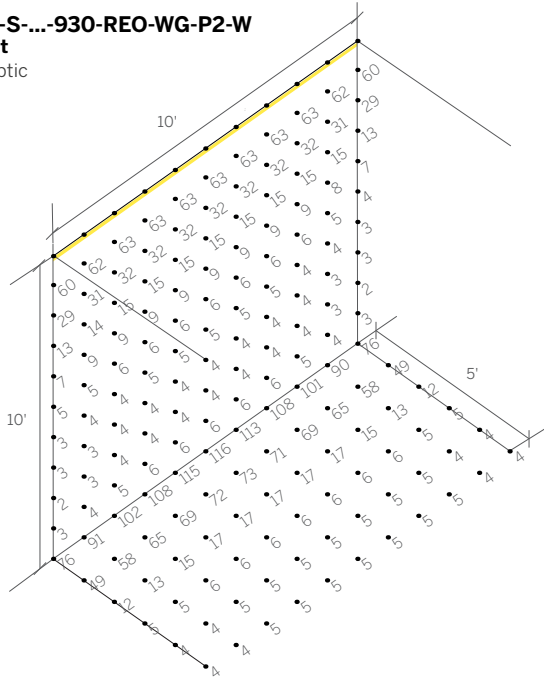
Surface reflectances:
 80% Ceiling
 50% Wall
 20% Floor

Illuminance points are spaced 1'-0" on center.
 Illuminance values are shown in units of foot-candles.

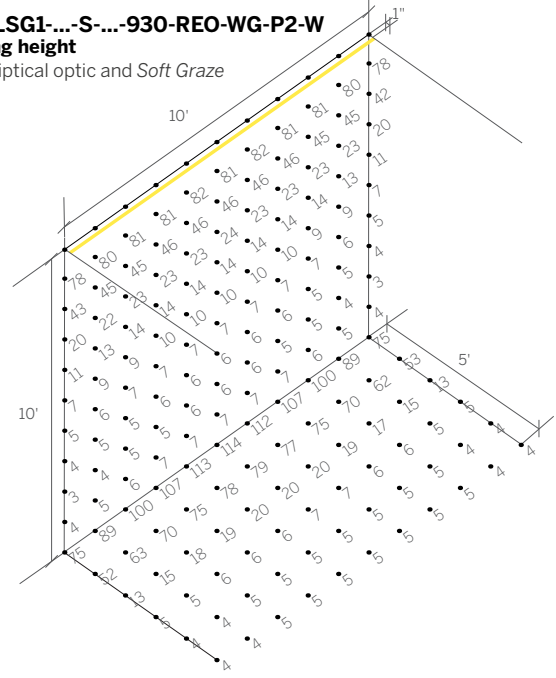
ProTools 60 Linear Wall Graze

Isoilluminance

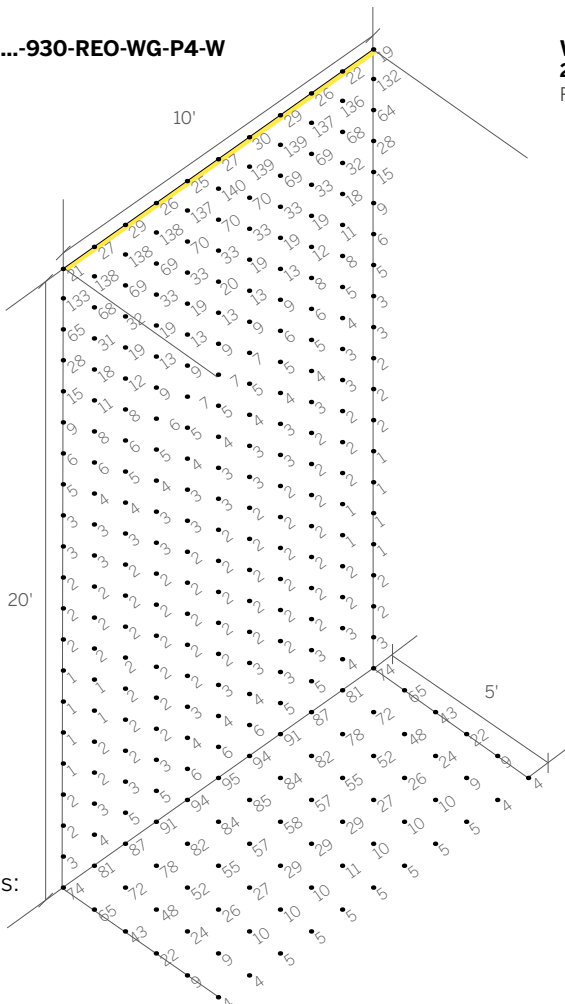
WG-60PTLWG-...-S-...-930-REO-WG-P2-W
10'-0" ceiling height
 Recessed elliptical optic



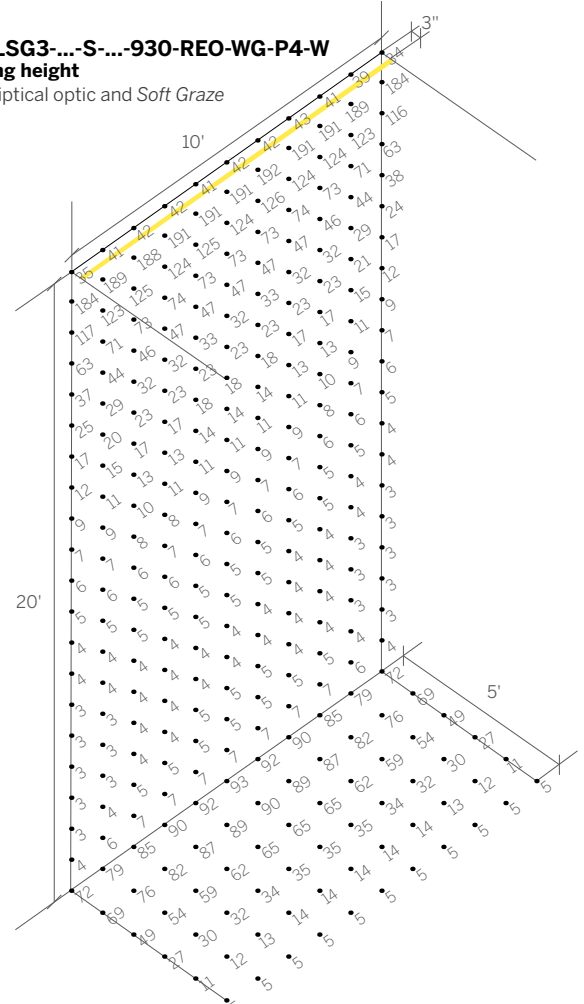
WG-60PTLSG1-...-S-...-930-REO-WG-P2-W
10'-0" ceiling height
 Recessed elliptical optic and Soft Graze



WG-60PTLWG-...-S-...-930-REO-WG-P4-W
20'-0" ceiling height
 Recessed elliptical optic



WG-60PTLSG3-...-S-...-930-REO-WG-P4-W
20'-0" ceiling height
 Recessed elliptical optic and Soft Graze



Surface reflectances:
 80% Ceiling
 50% Wall
 20% Floor

Illuminance points are spaced 1'-0" on center.
 Illuminance values are shown in units of foot-candles.