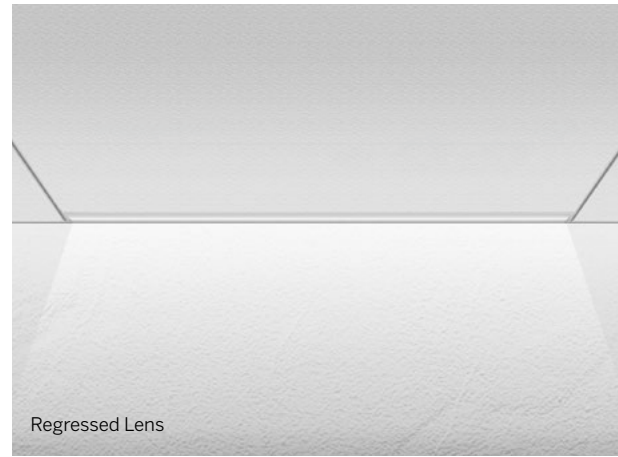


ProTools 60 Linear Wall Graze Recessed

- 2.4" aperture, integrated solution that is compatible with all ceiling types
- Standard and tailored run lengths, including corners
- Graze to 30' wall height
- *Soft Graze* to vary light center from the wall
- Extreme brightness control and the elimination of disturbing glare
- Consistent LED technology throughout the Whitegoods product range
- Easy to install housing allows the wall to continue above the finished ceiling
- Flexible design allows exact wall-to-wall dimensions
- Flicker-free full range dimming with standard driver (Eldoled)
- Manufactured in the USA



Housing Precision extruded aluminum for true dimensions and tolerances

Toolless component assembly from below
Perfect fit with inserts, louvers and lenses
Standard and tailored lengths including corner configurations
Soft Graze adds 1" - 3" additional set-off for less dramatic graze
Recessed snap-in cover for non-illuminated section
Finishes: white, black, silver and custom

Integration Fixation into gypsum, hard ceilings and all grid ceiling types

Finished wall continues past the ceiling line

Distribution Wall Graze and *Soft Graze*

LED >90 CRI, 3-Step MacAdam; 2700K-4000K static white, constant current
3W - 15W per foot, 180 nominal lumens per watt average
RA 91-94 (2700-4000K)
L70 (TM21 Projected 85C) Static White = 72,000 hours

Optic RLW/RLB - recessed louver white (W) or black (B) | extreme cutoff
REO - Recessed elliptical optic - high efficiency graze

Reflector White: high efficiency (standard with RLW)
Black: no brightness (standard with RLB)
Silver: low brightness
All 15% gloss
Custom finish available

Driver Compatible with quality constant current drivers

Connectivity POE
Wireless

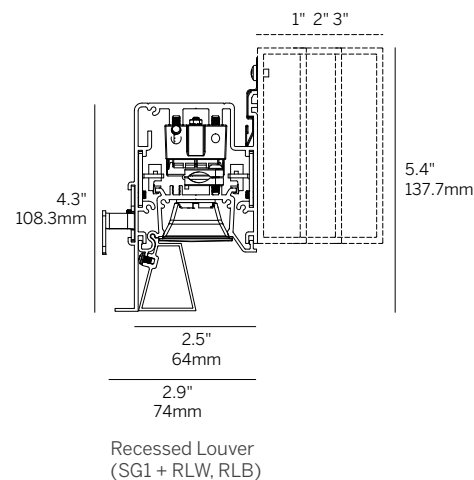
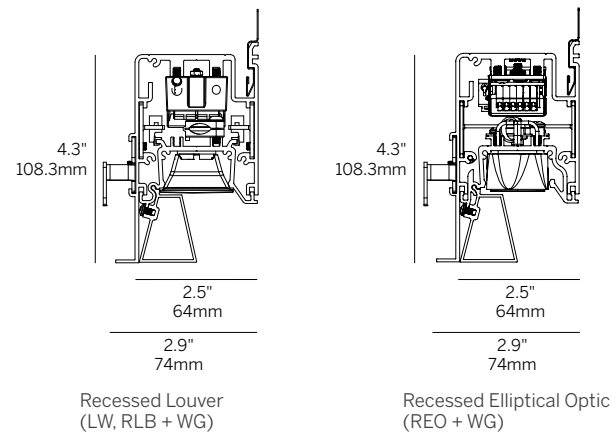
Weight 4lbs per foot

Operating Temp Suitable for operation in maximum ambient temperature of 35C (95F)

Warranty 5-year Limited (see complete company warranty information)

Certifications ETL and ETL-C for dry and damp location

Voltages 120-277VAC



ProTools 60 Linear Wall Graze Recessed

Model	Fixation	Pattern	Length ²	CRI/CCT	Optic ³	Beam	Power ⁴	Driver ⁵	Housing Finish ⁶	Options
WG-60PTLWG	RPT	S	24	927	RLW	WG	P1	E1	W	CP
WG-60PTLSG1	RBT	PI ¹	48	930	RLB		P2	L1	B	EM
WG-60PTLSG2	RGT9	PO ¹	96	935	REO		P3	POE	S	NYC
WG-60PTLSG3	RGT15		XX ³	940			P4	BT DALI	F	TF

Model

- WG-60PTLWG = ProTools 60 Linear Wall Graze
- WG-60PTLSG1 = ProTools 60 Linear *Soft Graze* 1" extension
- WG-60PTLSG2 = ProTools 60 Linear *Soft Graze* 2" extension
- WG-60PTLSG3 = ProTools 60 Linear *Soft Graze* 3" extension

Fixation

- RPT = Recessed plaster trim
- RBT = Recessed trim for hard ceiling
- RGT9 = Recessed trim for 9/16" grid
- RGT15 = Recessed trim for 15/16" grid
- RGTS = Recessed trim for slot grid

Pattern

- S = Straight run
- PI = Standard patterns 2, 3 or 4 sided with 90° inside corners on the same plane¹
- PO = Standard patterns 2, 3 or 4 sided with 90° outside corners on the same plane¹

Length²

- 24 = 24"
- 48 = 48"
- 96 = 96"
- XX = Specify inches to the nearest 0.25"³

CRI/CCT (90+ CRI)

- 927 = 2700K
- 930 = 3000K
- 935 = 3500K
- 940 = 4000K

Optic³

- RLW = Recessed louver white (supplied with white reflectors standard)
- RLB = Recessed louver black (supplied with black reflectors only)
- REO = Recessed elliptical optic

Beam

- WG = Wall Graze

Power⁴

- P1 = 3W/ft
- P2 = 6W/ft
- P3 = 10W/ft
- P4 = 15W/ft

Driver⁵

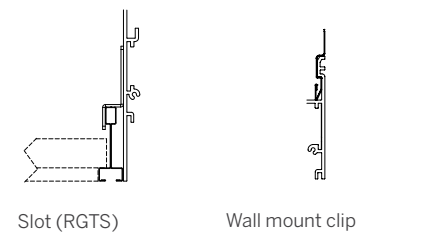
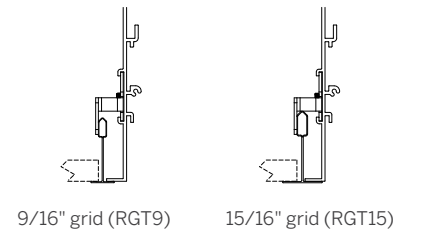
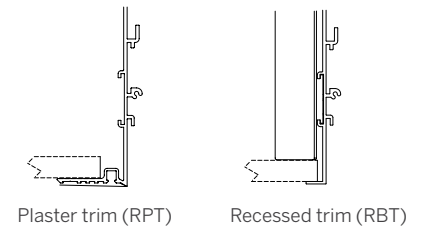
- E1 = EldoLED 0.1% dimming, 0-10V (120-277V)
- L1 = Lutron 1% dimming, Ecosystem (120-277V)
- PoE = Power over Ethernet
- BT = Wireless CAS - Casambi (Must specify BT with E1 or DALI)
- DALI = EldoLED Dali DT8 0.1% (120-277V)

Housing / Trim Finish (Includes kick reflector)⁶

- W = White, 15% gloss, RAL 9003 / Tiger Drylac 049/11350 (standard with RLW)
- B = Black, 15% gloss, RAL 9005 / Tiger Drylac 044/90053 (standard with RLB)
- S = Silver, 15% gloss, RAL 9006 / Tiger Drylac 049/90500
- F = Custom finished trim, specify RAL

Options

- CP = Chicago Plenum Rated
- EM = Emergency (remote)
- NYC = 6' whip per run
- TF = Top feed



Whitegoods reserves the right to change any information without prior notice.

Notes

- See pattern spec sheet.
- Individual fixture lengths less than 2' may require remote driver.
- Specify Lensed products to nearest 0.25". Specify Louvered and Tuneable White products in 6" increments for continuous light. Louver supplied in 6" increments, balance of the run will have recessed blank covers on ends.
- Refer to specsheet for delivered lumen data for all product configurations.
- See power supply page for details.
- See Tiger Drylac color chart: inter-lux.com/tiger