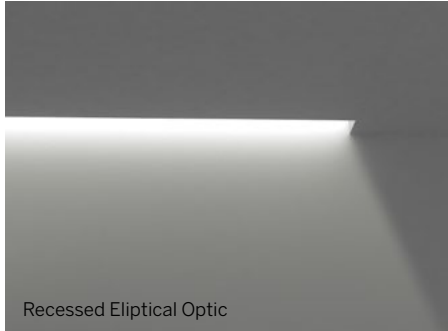


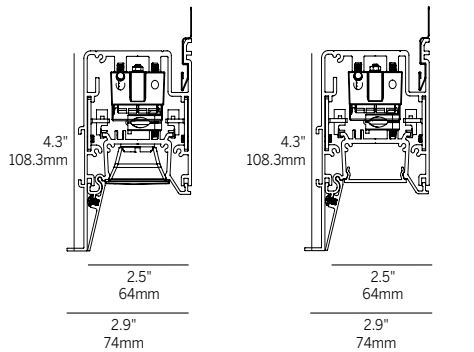
ProTools 60 Linear Perimeter Recessed



Recessed Elliptical Optic

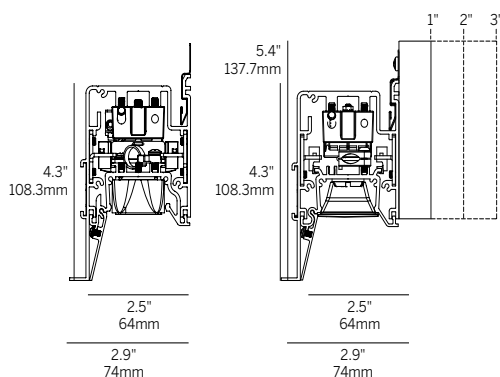


Recessed Louver + Soft Graze



Recessed Louver (RLW, RLB)

Recessed Micro-prismatic Lens (RML)



Recessed Elliptical Optic (REO)

Soft Graze: 1" 2" 3" (SG1, SG2, SG3)

Plaster Trim Cutout
Width: 3 1/8" / Length: fixture length + 1/2"
Ex: 96" fixture = 96 1/2" cutout length

Bezel Trim Cutout
Width: 2 11/16" / Length: fixture length + 1/8"
Ex: 96" fixture = 96 1/8" cutout length

Add 1", 2" or 3" to cut out width if 60PTLPSG is specified.

Ordering Information											
Model	Fixation	Pattern	Length ²	CRI/CCT	Optic ³	Beam	Power ⁵	Driver ⁶	Housing Finish ⁷	Reflector Finish ⁷	Options
WG-60PTLP	RPT	S	24	927	RML	80	P1	E1	W (std)	W	CP
WG-60PTLPSG1	RBT	PI ¹	48	930	RLW	35	P2	L1	B	B	EM
Soft Graze 1"	RGT9	PO ¹	96	935	RLB	50	P3	POE	S	S	NYC
WG-60PTLPSG2	RGT15		XX ³	940	REO	20x40	P4	BT	F	F	TF
Soft Graze 2"				TW ⁴				DALI			
WG-60PTLPSG3								TQ			
Soft Graze 3"											

Luminaire

- 2.4" aperture, integrated solution that is compatible with all ceiling types.
- Standard and tailored run lengths, including corners.
- Evenly illuminated perimeter lighting system.
- Soft Graze option to vary light center from the wall.
- Recessed optics minimizes brightness.
- Consistent LED technology throughout the Whitegoods product range.
- Easy to install housing allows the wall to continue above the finished ceiling.
- Flexible design allows exact wall-to-wall dimensions.
- Flicker-free full range dimming with standard driver (Eldoled)
- L70 (TM21 Projected 85C) 72,000 hours.
- ETL and ETL-C for dry and damp location.

Fixation

- RPT = Recessed plaster trim
- RBT = Recessed trim for hard ceiling
- RGT9 = Recessed trim for 9/16" grid
- RGT15 = Recessed trim for 15/16" grid

Pattern

- S = Straight run
- PI = Standard patterns 2, 3 or 4 sided with 90° inside corners on the same plane¹
- PO = Standard patterns 2, 3 or 4 sided with 90° outside corners on the same plane¹

Length²

- 24 = 24"
- 48 = 48"
- 96 = 96"
- XX = Specify inches to the nearest 0.25"³

CRI/CCT (90+ CRI)

- 927 = 2700K
- 930 = 3000K
- 935 = 3500K
- 940 = 4000K
- TW = Tuneable white 2200-4000K⁴

Optic³

- RML = Recessed micro-prismatic lens
- RLW = Recessed louver white (supplied with white reflectors standard)
- RLB = Recessed louver black (supplied with black reflectors standard)
- REO = Recessed elliptical optic

Beam

- 80 = 80° (RML)
- 35 = 35° (RLW, RLB)
- 50 = 50° (RLW, RLB)
- 20x40 = 20x40° (REO)

Power⁶

- P1 = 3W/ft
- P2 = 6W/ft
- P3 = 10W/ft
- P4 = 15W/ft

Driver⁶

- E1 = EldoLED 0.1% dimming, 0-10V (120-277V)
- L1 = Lutron 1% dimming, Ecosystem (120-277V)
- PoE = Power over Ethernet
- DALI = EldoLED Dali DT8 0.1% (120-277V)
- BT = Wireless CAS – Casambi (Must specify BT with E1 or DALI)
- TQ = T-Series for Lutron Quantum 0.1% (120-277V) (Tunable white ONLY)

Housing / Trim Finish⁷

- W = White, 15% gloss, RAL 9003 / Tiger Drylac 049/11350 (standard)
- B = Black, 15% gloss, RAL 9005 / Tiger Drylac 044/90053
- S = Silver, 15% gloss, RAL 9006 / Tiger Drylac 049/90500
- F = Custom finished trim, specify RAL

Reflector Finish⁷

- W = White, 15% gloss, RAL 9003 / Tiger Drylac 049/11350 (standard with RLW)
- B = Black, 15% gloss, RAL 9005 / Tiger Drylac 044/90053 (standard with RLB)
- S = Silver, 15% gloss, RAL 9006 / Tiger Drylac 049/90500
- F = Custom finished trim, specify RAL

Options

- CP = Chicago Plenum Rated
- EM = Emergency (remote)
- NYC = 6' whip per run
- TF = Top feed

1 See pattern spec sheet.
2 Individual fixture lengths less than 2' may require remote driver.
3 Specify Lensed products to nearest 0.25". Specify Louvered and Tuneable White products in 6" increments for continuous light. Louver supplied in 6" increments, balance of the run will have recessed blank covers on ends.
4 TW only available with RML for P2 and P3.
5 See photometric data sheet for delivered lumens.
6 See power supply page for details.
7 See Tiger Drylac color chart: inter-lux.com/tiger