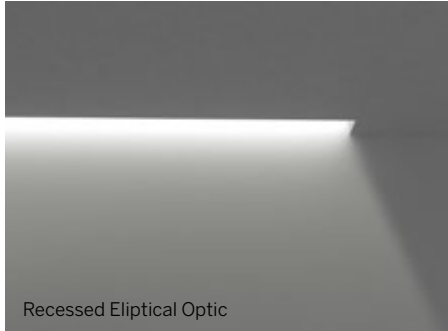


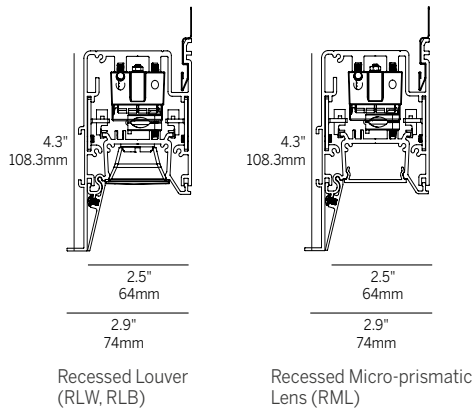
# ProTools 60 Linear Perimeter Recessed



Recessed Elliptical Optic

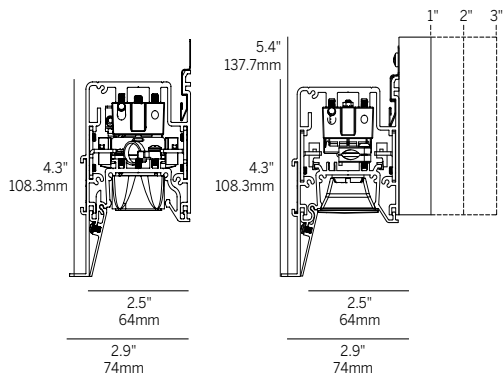


Recessed Louver + Soft Graze



Recessed Louver (RLW, RLB)

Recessed Micro-prismatic Lens (RML)



Recessed Elliptical Optic (REO)

Soft Graze: 1" 2" 3" (SG1, SG2, SG3)

Ordering Information											
Model	Fixation	Pattern	Length <sup>2</sup>	CRI/CCT	Optic <sup>3</sup>	Beam	Power <sup>5</sup>	Driver <sup>6</sup>	Housing Finish <sup>7</sup>	Reflector Finish <sup>7</sup>	Options
WG-60PTLP	RPT	S	24	927	RML	80	P1	E1	W	W	CP
WG-60PTLPSG1	RBT	PI <sup>1</sup>	48	930	RLW	35	P2	L1	B	B	EM
Soft Graze 1"	RGT9	PO <sup>1</sup>	96	935	RLB	50	P3	POE	S	S	NYC
WG-60PTLPSG2	RGT15		XX <sup>3</sup>	940	REO	20x40	P4	BT	F	F	TF
Soft Graze 2"	RGTS			TW <sup>4</sup>				DALI			
WG-60PTLPSG3								TQ			
Soft Graze 3"											

## Luminaire

- 2.4" aperture, integrated solution that is compatible with all ceiling types.
- Standard and tailored run lengths, including corners.
- Evenly illuminated perimeter lighting system.
- Soft Graze option to vary light center from the wall.
- Recessed optics minimizes brightness.
- Consistent LED technology throughout the Whitegoods product range.
- Easy to install housing allows the wall to continue above the finished ceiling.
- Flexible design allows exact wall-to-wall dimensions.
- Flicker-free full range dimming with standard driver (EldoLED)
- L70 (TM21 Projected 85C) 72,000 hours.
- ETL and ETL-C for dry and damp location.

## Fixation

- RPT = Recessed plaster trim
- RBT = Recessed trim for hard ceiling
- RGT9 = Recessed trim for 9/16" grid
- RGT15 = Recessed trim for 15/16" grid
- RGTS = Recessed trim for slot grid

## Pattern

- S = Straight run
- PI = Standard patterns 2, 3 or 4 sided with 90° inside corners on the same plane<sup>1</sup>
- PO = Standard patterns 2, 3 or 4 sided with 90° outside corners on the same plane<sup>1</sup>

## Length<sup>2</sup>

- 24 = 24"
- 48 = 48"
- 96 = 96"
- XX = Specify inches to the nearest 0.25"<sup>3</sup>

## CRI/CCT (90+ CRI)

- 927 = 2700K
- 930 = 3000K
- 935 = 3500K
- 940 = 4000K
- TW = Tuneable white 2200-4000K<sup>4</sup>

## Optic<sup>3</sup>

- RML = Recessed micro-prismatic lens
- RLW = Recessed louver white (supplied with white reflectors standard)
- RLB = Recessed louver black (supplied with black reflectors only)
- REO = Recessed elliptical optic

## Beam

- 80 = 80° (RML)
- 35 = 35° (RLW, RLB)
- 50 = 50° (RLW, RLB)
- 20x40 = 20x40° (REO)

## Power<sup>6</sup>

- P1 = 3W/ft
- P2 = 6W/ft
- P3 = 10W/ft
- P4 = 15W/ft

## Driver<sup>6</sup>

- E1 = EldoLED 0.1% dimming, 0-10V (120-277V)
- L1 = Lutron 1% dimming, Ecosystem (120-277V)
- PoE = Power over Ethernet
- DALI = EldoLED Dali DT8 0.1% (120-277V)
- BT = Wireless CAS – Casambi (Must specify BT with E1 or DALI)
- TQ = T-Series for Lutron Quantum 0.1% (120-277V) (Tunable white ONLY)

## Housing / Trim Finish<sup>7</sup>

- W = White, 15% gloss, Tiger Drylac 49/11350 (standard)
- B = Black, 15% gloss, Tiger Drylac 44/90053
- S = Silver, 15% gloss, Tiger Drylac 49/90500
- F = Custom finished trim, specify RAL

## Reflector Finish<sup>7</sup>

- W = White, 15% gloss, Tiger Drylac 49/11350 (standard)
- B = Black, 15% gloss, Tiger Drylac 44/90053
- S = Silver, 15% gloss, Tiger Drylac 49/90500
- F = Custom finished trim, specify RAL

## Options

- CP = Chicago Plenum Rated
- EM = Emergency (remote)
- NYC = 6' whip per run
- TF = Top feed

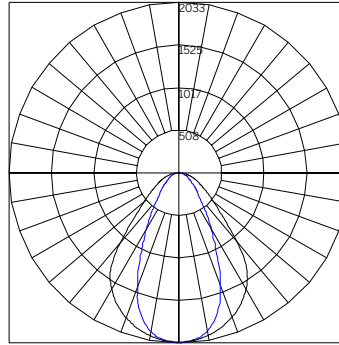
- See pattern spec sheet.
- Individual fixture lengths less than 2' may require remote driver.
- Specify Lensed products to nearest 0.25". Specify Louvered and Tuneable White products in 12" increments for continuous light. Louver supplied in 12" increments, balance of the run will have recessed blank covers on ends.
- TW only available with RML for P2 and P3.
- See photometric data sheet for delivered lumens.
- See power supply page for details.
- See Tiger Drylac color chart: [inter-lux.com/tiger](http://inter-lux.com/tiger)

# ProTools 60 Linear Perimeter Recessed

## WG-60PTLP-...-RML-80-...-W-W

Delivered Lumens Per Foot

		Power			
		P1 [3 W/ft]	P2 [6 W/ft]	P3 [10 W/ft]	P4 [15 W/ft]
CCT	927	316	593	912	1343
	930	329	617	950	1399
	935	340	640	984	1465
	940	349	657	1010	1504
		Power Multiplier			
		P1 [3 W/ft]	P2 [6 W/ft]	P3 [10 W/ft]	P4 [15 W/ft]
		0.24	0.44	0.68	1.00
		CCT Multiplier			
		927	930	935	940
		0.96	1.00	1.04	1.06



BEAM ANGLE (0-180) = 51.7  
BEAM ANGLE (90-270) = 81.8

## ILLUMINANCE - 24" RML-80 P4 3000K

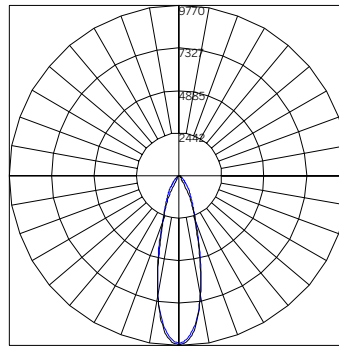
### WG-60PTLP-...-S-24-930-RML-80-P4-...-W-W\*

Mounting Height [ft]	Illuminance [fc at nadir]	Beam Width [ft]
3	226	2.9
6	56	5.8
9	25	8.7
12	14	11.6
15	9	14.5
18	6	17.4
21	5	20.3
24	4	23.2
27	3	26.1
30	2	29

## WG-60PTLP-...-RLW-35-...-W-W

Delivered Lumens Per Foot

		Power			
		P1 [3 W/ft]	P2 [6 W/ft]	P3 [10 W/ft]	P4 [15 W/ft]
CCT	927	434	804	1212	1738
	930	448	828	1250	1792
	935	462	854	1288	1846
	940	476	879	1326	1900
		Power Multiplier			
		P1 [3 W/ft]	P2 [6 W/ft]	P3 [10 W/ft]	P4 [15 W/ft]
		0.25	0.46	0.70	1.00
		CCT Multiplier			
		927	930	935	940
		0.97	1.00	1.03	1.06



BEAM ANGLE (0-180) = 28.8  
BEAM ANGLE (90-270) = 28.2

## ILLUMINANCE - 24" RLW-35 P4 3000K

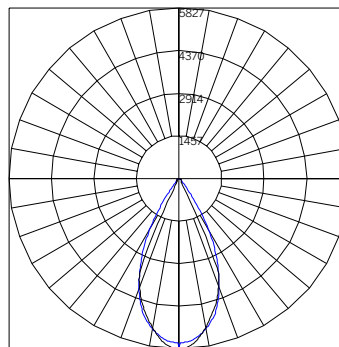
### WG-60PTLP-...-24-...-930-RLW-35-P4-...-W-B\*

Mounting Height [ft]	Illuminance [fc at nadir]	Beam Width [ft]
3	1086	1.5
6	271	3.1
9	121	4.6
12	68	6.2
15	43	7.7
18	30	9.2
21	22	10.8
24	17	12.3
27	13	13.9
30	11	15.4

## WG-60PTLP-...-RLW-50-...-W-W

Delivered Lumens Per Foot

		Power			
		P1 [3 W/ft]	P2 [6 W/ft]	P3 [10 W/ft]	P4 [15 W/ft]
CCT	927	443	820	1237	1773
	930	457	845	1276	1828
	935	471	872	1314	1883
	940	485	897	1353	1939
		Power Multiplier			
		P1 [3 W/ft]	P2 [6 W/ft]	P3 [10 W/ft]	P4 [15 W/ft]
		0.25	0.46	0.70	1.00
		CCT Multiplier			
		927	930	935	940
		0.97	1.00	1.03	1.06



BEAM ANGLE (0-180) = 51.7  
BEAM ANGLE (90-270) = 47.3

## ILLUMINANCE - 24" RLW-50 P4 3000K

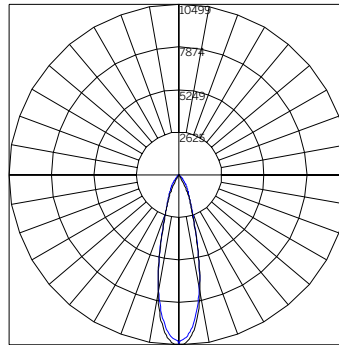
### WG-60PTLP-...-24-...-930-RLW-50-P4-...-W-B\*

Mounting Height [ft]	Illuminance [fc at nadir]	Beam Width [ft]
3	647	2.9
6	162	5.8
9	72	8.7
12	40	11.6
15	26	14.5
18	18	17.4
21	13	20.3
24	10	23.2
27	8	26.2
30	6	29.1

\*Polar Plot and Cone of Light are applicable to part number noted; use Multiplication Factor table to approximate other models or refer to online photometry.

# ProTools 60 Linear Perimeter Recessed

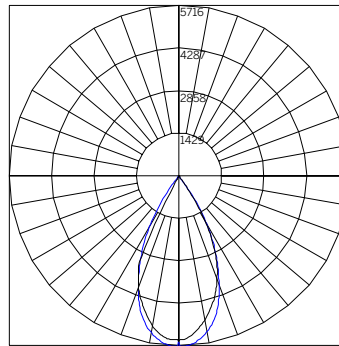
WG-60PTLP-...-RLB-35-...-W-B Delivered Lumens Per Foot				
Power				
	P1 [3 W/ft]	P2 [6 W/ft]	P3 [10 W/ft]	P4 [15 W/ft]
CCT				
927	371	686	1034	1483
930	382	707	1067	1529
935	394	729	1099	1575
940	406	750	1131	1621
Power Multiplier				
	P1 [3 W/ft]	P2 [6 W/ft]	P3 [10 W/ft]	P4 [15 W/ft]
	0.25	0.46	0.70	1.00
CCT Multiplier				
	927	930	935	940
	0.97	1.00	1.03	1.06



BEAM ANGLE (0-180) = 26.9  
BEAM ANGLE (90-270) = 26.9

ILLUMINANCE - 24" RLB-35 P4 3000K WG-60PTLP-...-S-24-930-RLB-35-P4-...-W-B*		
Mounting Height [ft]	Illuminance [fc at nadir]	Beam Width [ft]
3	1167	1.4
6	292	2.9
9	130	4.3
12	73	5.7
15	47	7.2
18	32	8.6
21	24	10
24	18	11.5
27	14	12.9
30	12	14.3

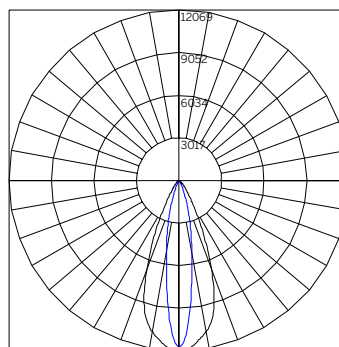
WG-60PTLP-...-RLB-50-...-W-B Delivered Lumens Per Foot				
Power				
	P1 [3 W/ft]	P2 [6 W/ft]	P3 [10 W/ft]	P4 [15 W/ft]
CCT				
927	442	818	1234	1769
930	456	843	1273	1824
935	470	870	1311	1879
940	484	895	1349	1934
Power Multiplier				
	P1 [3 W/ft]	P2 [6 W/ft]	P3 [10 W/ft]	P4 [15 W/ft]
	0.25	0.46	0.70	1.00
CCT Multiplier				
	927	930	935	940
	0.97	1.00	1.03	1.06



BEAM ANGLE (0-180) = 51.6  
BEAM ANGLE (90-270) = 51.7

ILLUMINANCE - 24" RLB-50 P4 3000K WG-60PTLP-...-S-24-930-RLB-50-P4-...-W-B*		
Mounting Height [ft]	Illuminance [fc at nadir]	Beam Width [ft]
3	635	2.9
6	159	5.8
9	71	8.7
12	40	11.6
15	25	14.5
18	18	17.4
21	13	20.3
24	10	23.2
27	8	26.1
30	6	29

WG-60PTLP-...-REO-20X40-...-W-W Delivered Lumens Per Foot				
Power				
	P1 [3 W/ft]	P2 [6 W/ft]	P3 [10 W/ft]	P4 [15 W/ft]
CCT				
927	408	755	1139	1632
930	421	778	1174	1683
935	434	802	1209	1734
940	447	826	1245	1784
Power Multiplier				
	P1 [3 W/ft]	P2 [6 W/ft]	P3 [10 W/ft]	P4 [15 W/ft]
	0.25	0.46	0.70	1.00
CCT Multiplier				
	927	930	935	940
	0.97	1.00	1.03	1.06



BEAM ANGLE (0-180) = 17.8  
BEAM ANGLE (90-270) = 42.2

ILLUMINANCE - 24" REO-20X40 P4 3000K WG-60PTLP-...-24-...-930-REO-20x40-P4-...-W-B*		
Mounting Height [ft]	Illuminance [fc at nadir]	Beam Width [ft]
3	1341	0.9
6	335	1.9
9	149	2.8
12	84	3.7
15	54	4.7
18	37	5.6
21	27	6.6
24	21	7.5
27	17	8.4
30	13	9.4

\*Polar Plot and Cone of Light are applicable to part number noted; use Multiplication Factor table to approximate other models or refer to online photometry.

# ProTools 60 Linear Perimeter Recessed

WG-60PTLP-...-TW-RML-80-...			
Delivered Lumens Per Foot			
		Power	
		P2 [6 W/ft]	P3 [10 W/ft]
CCT	2200	299	442
	4000	307	466

## PROTOOLS 60 LINEAR UGR + FIXTURE EFFICIENCY

		UGR*				FIXTURE EFFICIENCY	LUMENS PER WATT
		P1 [3W/ft]	P2 [6W/ft]	P3 [10W/ft]	P4 [15W/ft]		
OPTIC - BEAM	RML-80	20.6	22.7	24.2	25.6	59%	78
	RLW-35	14.6	16.8	18.2	19.6	86%	107
	RLW-50	13.6	15.8	17.3	18.6	88%	107
	RLB-35	0.7	2.8	4.3	5.7	73%	90
	RLB-50	12.9	15.1	16.6	21.7	87%	101
	REO-20x40	8.3	10.4	11.9	13.2	81%	95

\*UGR value noted is the maximum UGR (crosswise) with 930 LEDs at noted Power level.