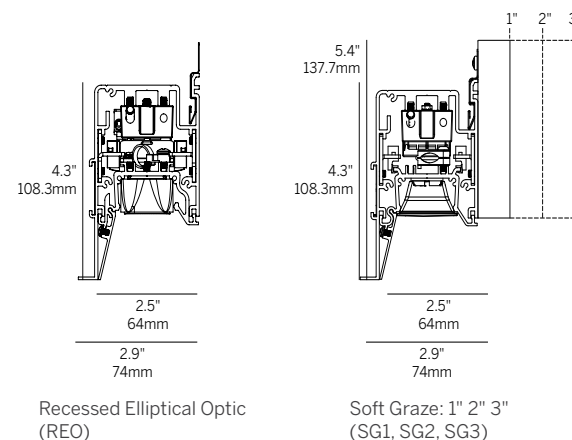
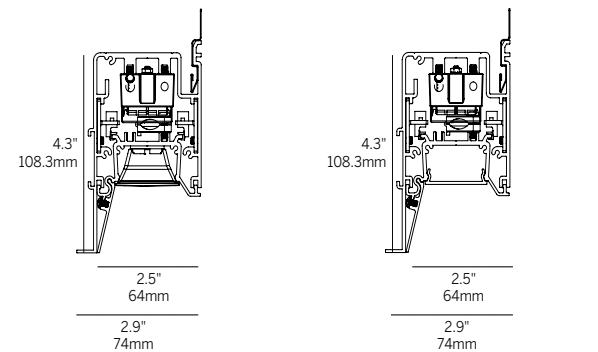
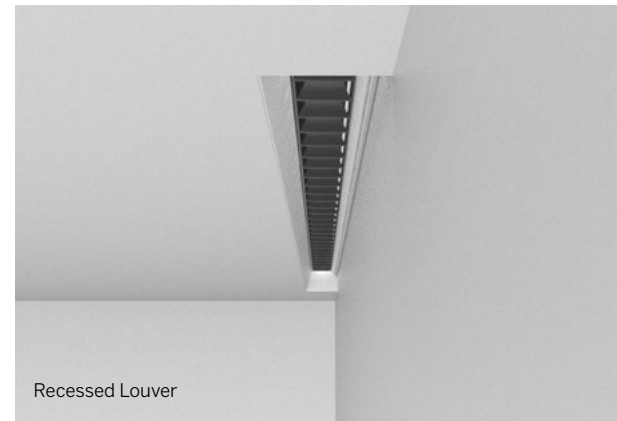
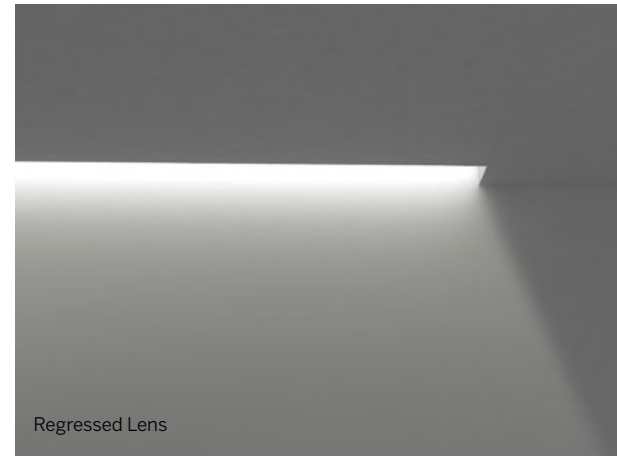


ProTools 60 Linear Perimeter Recessed

- 2.4" aperture, integrated solution that is compatible with all ceiling types
- Standard and tailored run lengths, including corners
- Evenly illuminated perimeter lighting system
- *Soft Graze* option to vary light center from the wall
- Recessed optics minimizes brightness
- Consistent LED technology throughout the Whitegoods product range
- Easy to install housing allows the wall to continue above the finished ceiling
- Flexible design allows exact wall-to-wall dimensions
- Flicker-free full range dimming with standard driver (Eldoled)
- Manufactured in the USA

Housing	Precision extruded aluminum for true dimensions and tolerances Toolless component assembly from below Perfect fit with inserts, louvers and lenses Standard and tailored lengths including corner configurations <i>Soft Graze</i> adds 1" - 3" additional set-off for less dramatic graze Recessed snap-in cover for non-illuminated section Finishes: white, black, silver and custom
Integration	Fixation into gypsum, hard ceilings and all grid ceiling types Finished wall continues past the ceiling line
Distribution	Evenly illuminated regressed, recessed lens or <i>Soft Graze</i>
LED	>90 CRI, 3-Step MacAdam, 2700-4000K static white 3W - 15W per foot, 180 nominal lumens per watt average RA 91-94 (2700-4000K) L70 (TM21 Projected 85C) Static White / Tunable White = 72,000 hours Tuneable white 2200-4000K, 80 nominal lumens per watt average
Optic	RML - recessed micro-prismatic lens diffusion with maximum efficiency RLW/RLB - recessed louver white (W) or black (B) extreme cutoff REO - Recessed elliptical optic - high efficiency graze
Reflector	White: high efficiency (standard with RLW) Black: no brightness (standard with RLB) Silver: low brightness All 15% gloss Custom finish available
Driver	Compatible with quality constant current drivers
Connectivity	POE Wireless
Weight	4lbs per foot
Operating Temp	Suitable for operation in maximum ambient temperature of 35C (95F)
Warranty	5-year Limited (see complete company warranty information)
Certifications	ETL and ETL-C for dry and damp location, CE, Chicago plenum
Voltages	120-277VAC



ProTools 60 Linear Perimeter Recessed

Model	Fixation	Pattern	Length ²	CRI/CCT	Optic ³	Beam	Power ⁵	Driver ⁶	Housing Finish ⁷	Reflector Finish ⁷	Options
WG-60PTLP	RPT	S	24	927	RML	80	P1	E1	W (std)	W	CP
WG-60PTLPSG1	RBT	PI ¹	48	930	RLW	35	P2	L1	B	B	EM
WG-60PTLPSG2	RGT9	PO ¹	96	935	RLB	50	P3	POE	S	S	NYC
WG-60PTLPSG3	RGT15		XX ³	940	REO	20x40	P4	BT	F	F	TF
	RGTS			TW ⁴				DALI			
								TQ			

Model

- WG-60PTLP = ProTools 60 Linear Perimeter
- WG-60PTLPSG1 = ProTools 60 Linear Perimeter Soft Graze 1" extension
- WG-60PTLPSG2 = ProTools 60 Linear Perimeter Soft Graze 2" extension
- WG-60PTLPSG3 = ProTools 60 Linear Perimeter Soft Graze 3" extension

Fixation

- RPT = Recessed plaster trim
- RBT = Recessed trim for hard ceiling
- RGT9 = Recessed trim for 9/16" grid
- RGT15 = Recessed trim for 15/16" grid
- RGTS = Recessed trim for slot grid

Pattern

- S = Straight run
- PI = Standard patterns 2, 3 or 4 sided with 90° inside corners on the same plane¹
- PO = Standard patterns 2, 3 or 4 sided with 90° outside corners on the same plane¹

Length²

- 24 = 24"
- 48 = 48"
- 96 = 96"
- XX = Specify inches to the nearest 0.25"³

CRI/CCT (90+ CRI)

- 927 = 2700K
- 930 = 3000K
- 935 = 3500K
- 940 = 4000K
- TW = Tuneable white 2200-4000K⁴

Optic³

- RML = Recessed micro-prismatic lens
- RLW = Recessed louver white (supplied with white reflectors standard)
- RLB = Recessed louver black (supplied with black reflectors only)
- REO = Recessed elliptical optic

Beam

- 80 = 80° (RML)
- 35 = 35° (RLW, RLB)
- 50 = 50° (RLW, RLB)
- 20x40 = 20x40° (REO)

Power⁵

- P1 = 3W/ft
- P2 = 6W/ft
- P3 = 10W/ft
- P4 = 15W/ft

Driver⁶

- E1 = EldoLED 0.1% dimming, 0-10V (120-277V)
- L1 = Lutron 1% dimming, Ecosystem (120-277V)
- PoE = Power over Ethernet
- BT = Wireless CAS - Casambi (Must specify BT with E1 or DALI)
- DALI = EldoLED Dali DT8 0.1% (120-277V)
- TQ = T-Series for Lutron Quantum 0.1% (120-277V) (Tunable white ONLY)

Housing / Trim Finish⁷

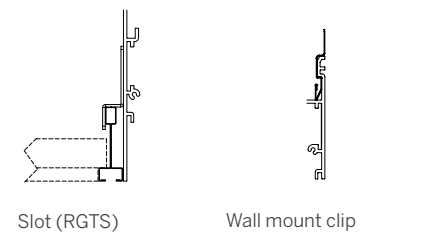
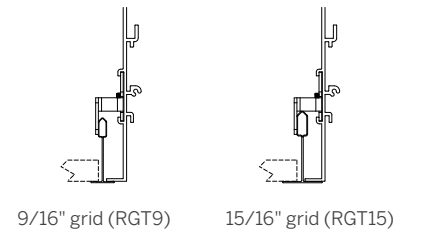
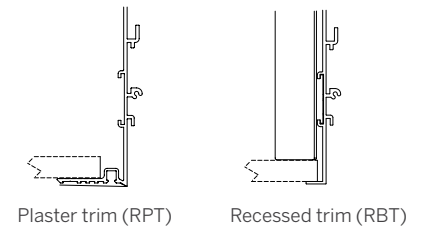
- W = White, 15% gloss, RAL 9003 / Tiger Drylac 049/11350 (standard)
- B = Black, 15% gloss, RAL 9005 / Tiger Drylac 044/90053
- S = Silver, 15% gloss, RAL 9006 / Tiger Drylac 049/90500
- F = Custom finished trim, specify RAL

Reflector Finish⁷

- W = White, 15% gloss, RAL 9003 / Tiger Drylac 049/11350 (standard with RLW)
- B = Black, 15% gloss, RAL 9005 / Tiger Drylac 044/90053 (standard with RLB)
- S = Silver, 15% gloss, RAL 9006 / Tiger Drylac 049/90500
- F = Custom finished trim, specify RAL

Options

- CP = Chicago Plenum Rated
- EM = Emergency (remote)
- NYC = 6' whip per run
- TF = Top feed



Whitegoods reserves the right to change any information without prior notice.

Notes

- 1 See pattern spec sheet.
- 2 Individual fixture lengths less than 2' may require remote driver.
- 3 Specify Lensed products to nearest 0.25". Specify Louvered and Tuneable White products in 6" increments for continuous light. Louver supplied in 6" increments, balance of the run will have recessed blank covers on ends.
- 4 TW only available with RML for P2 and P3.
- 5 Refer to specsheet for delivered lumen data for all product configurations.
- 6 See power supply page for details.
- 7 See Tiger Drylac color chart: inter-lux.com/tiger