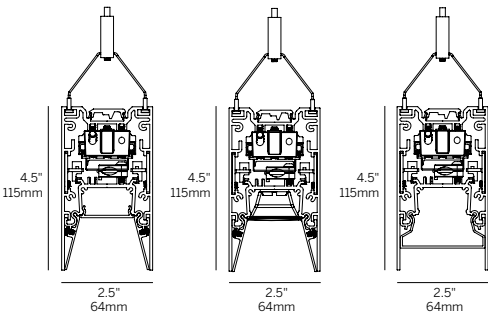


ProTools 60 Linear Downlight

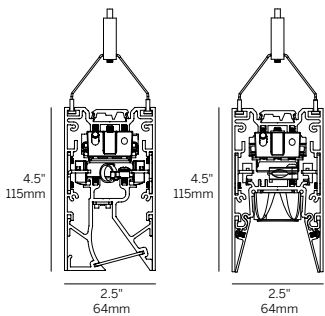
Suspended



Recessed Micro-prismatic Lens (RML)

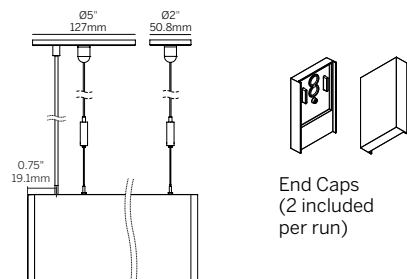
Recessed Louver (RLW, RLB)

Regressed Opal Lens (ROL)



Recessed Lens + Wall Wash (LML + WW)

Recessed Narrow Optic (RNO)



Power Feed + Suspension

Ordering Information

Model	Fixation	Pattern	Length ²	CRI/CCT	Optic ³	Beam	Power ⁵	Drive ⁶	Housing Finish ⁷	Reflector Finish ⁷	Options
WG-60PTL	S48 S96 SXX	S P ¹ PI ¹ PO ¹ PZ ¹	24 48 96 XX ³	927 930 935 940 TW ⁴	RML ROL RLW RLB RNO LML	80 105 35 50 30 WW	P1 P2 P3 P4	E1 L1 POE BT DALI TQ	W (std) B S F	W B S F	EM PJM SC

Luminaire

- 2.4" aperture, suspended direct illumination luminaire.
- Standard and tailored run lengths, including corners.
- Extreme brightness control and eliminate glare.
- Modularity of insert modules for ultimate design flexibility.
- Consistent LED technology throughout the Whitegoods product range.
- Flexible design allows exact wall-to-wall dimensions.
- Flicker-free full range dimming with standard driver (Eldoled).
- L70 (TM21 Projected 85C) 72,000 hours.
- ETL and ETL-C for dry and damp location.

Fixation

- Power suspension w/5" canopy standard. Non-feed suspensions provided with 2" canopy
- S48 = 48" suspension cable
- S96 = 96" suspension cable
- SXX = Specify suspension cable length to nearest 0.25"

Pattern

- S = Straight run
- P = Standard patterns 2, 3 or 4 sided with 90° corners on the same plane¹
- PI = Standard patterns 2, 3 or 4 sided with 90° inside corners on the same plane¹
- PO = Standard patterns 2, 3 or 4 sided with 90° outside corners on the same plane¹
- PZ = Non-standard patterns and/or corners other than 90° on multiple planes, consult factory¹

Length²

- 24 = 24"
- 48 = 48"
- 96 = 96"
- XX = Specify inches to the nearest 0.25"³

CRI/CCT (90+ CRI)

- 927 = 2700K
- 930 = 3000K
- 935 = 3500K
- 940 = 4000K
- TW = Tuneable white 2200-4000K⁴

Optic³

- RML = Recessed micro-prismatic lens
- ROL = Recessed opal lens
- RLW = Recessed louver white (supplied with white reflectors standard)
- RLB = Recessed louver black (supplied with black reflectors only)
- RNO = Recessed narrow optic
- LML = Linear micro-prismatic lens

Beam

- 80 = 80° (RML)
- 105 = 105° (ROL)
- 35 = 35° (RLW, RLB)
- 50 = 50° (RLW, RLB)
- 30 = 30° (RNO)
- WW = Wall Wash (LML)

Power⁵

- P1 = 3W/ft
- P2 = 6W/ft
- P3 = 10W/ft
- P4 = 15W/ft

Driver⁶

- E1 = EldoLED 0.1% dimming, 0-10V (120-277V)
- L1 = Lutron 1% dimming, Ecosystem (120-277V)
- PoE = Power over Ethernet
- BT = Wireless CAS – Casambi (Must specify BT with E1 or DALI)
- DALI = EldoLED Dali DT8 0.1% (120-277V)
- TQ = T-Series for Lutron Quantum 0.1% (120-277V) (Tunable white ONLY)

Housing Finish⁷

- W = White, 15% gloss, RAL 9003 / Tiger Drylac 049/11350 (standard)
- B = Black, 15% gloss, RAL 9005 / Tiger Drylac 044/90053
- S = Silver, 15% gloss, RAL 9006 / Tiger Drylac 049/90500
- F = Custom finished trim, specify RA

Reflector Finish⁷

- W = White, 15% gloss, RAL 9003 / Tiger Drylac 049/11350 (standard with RLW)
- B = Black, 15% gloss, RAL 9005 / Tiger Drylac 044/90053 (standard with RLB, not offered with LML)
- S = Silver, 15% gloss, RAL 9006 / Tiger Drylac 049/90500
- F = Custom finished trim, specify RA

Options

- EM = Emergency (remote)
- PJG = Power suspension w/5" canopy on grid
- SC = Sloped Ceiling Suspension

1 See pattern spec sheet.
 2 Individual fixture lengths less than 2' may require remote driver.
 3 Specify Lensed products to nearest 0.25". Specify Louvered and Tuneable White products in 6" increments for continuous light. Louver supplied in 6" increments, balance of the run will have recessed blank covers on ends.
 4 TW only available with RML/ROL/LML for P2 and P3.
 5 See photometric data sheet for delivered lumens.
 6 See power supply page for details.
 7 See Tiger Drylac color chart: inter-lux.com/tiger