

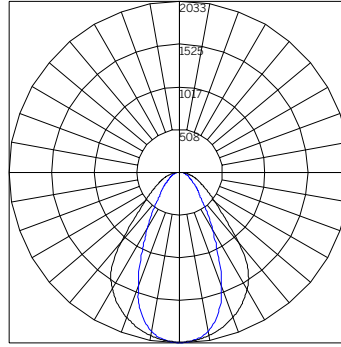
# ProTools 60 Linear Downlight

## Suspended

### WG-60PTL-...-RML-80-...-W-W

Delivered Lumens Per Foot

		Power			
		P1 [3 W/ft]	P2 [6 W/ft]	P3 [10 W/ft]	P4 [15 W/ft]
CCT	927	316	593	912	1343
	930	329	617	950	1399
	935	340	640	984	1465
	940	349	657	1010	1504
		Power Multiplier			
		P1 [3 W/ft]	P2 [6 W/ft]	P3 [10 W/ft]	P4 [15 W/ft]
		0.24	0.44	0.68	1.00
		CCT Multiplier			
		927	930	935	940
		0.96	1.00	1.04	1.06



BEAM ANGLE (0-180) = 51.7  
BEAM ANGLE (90-270) = 81.8

### ILLUMINANCE - 24" RML-80 P4 3000K

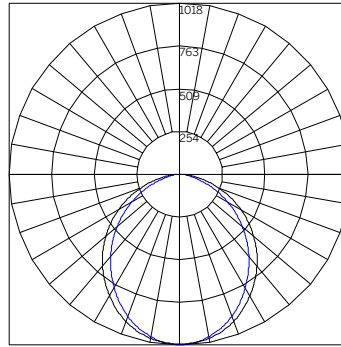
#### WG-60PTL-...-S-24-930-RML-80-P4-...-W-W<sup>1</sup>

Mounting Height [ft]	Illuminance [fc at nadir]	Beam Width [ft]
3	226	2.9
6	56	5.8
9	25	8.7
12	14	11.6
15	9	14.5
18	6	17.4
21	5	20.3
24	4	23.2
27	3	26.1
30	2	29.0

### WG-60PTL-...-ROL-105-...-W-W

Delivered Lumens Per Foot

		Power			
		P1 [3 W/ft]	P2 [6 W/ft]	P3 [10 W/ft]	P4 [15 W/ft]
CCT	927	289	543	834	1229
	930	301	565	869	1280
	935	312	585	900	1340
	940	320	601	925	1377
		Power Multiplier			
		P1 [3 W/ft]	P2 [6 W/ft]	P3 [10 W/ft]	P4 [15 W/ft]
		0.24	0.44	0.68	1.00
		CCT Multiplier			
		927	930	935	940
		0.96	1.00	1.04	1.06



BEAM ANGLE (0-180) = 97.2  
BEAM ANGLE (90-270) = 109

### ILLUMINANCE - 24" ROL-105 P4 3000K

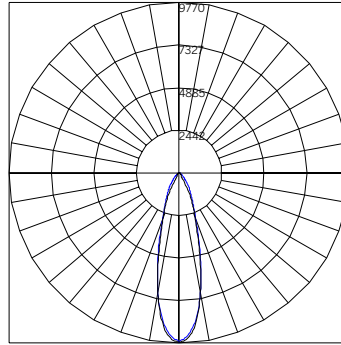
#### WG-60PTL-...-S-24-930-ROL-105-P4-...-W-W<sup>1</sup>

Mounting Height [ft]	Illuminance [fc at nadir]	Beam Width [ft]
3	113	6.8
6	28	13.6
9	13	20.4
12	7	27.2
15	5	34.0
18	3	40.8
21	2	47.6
24	2	54.4
27	1	61.3
30	1	68.1

### WG-60PTL-...-RLW-35-...-W-W

Delivered Lumens Per Foot

		Power			
		P1 [3 W/ft]	P2 [6 W/ft]	P3 [10 W/ft]	P4 [15 W/ft]
CCT	927	434	804	1212	1738
	930	448	828	1250	1792
	935	462	854	1288	1846
	940	476	879	1326	1900
		Power Multiplier			
		P1 [3 W/ft]	P2 [6 W/ft]	P3 [10 W/ft]	P4 [15 W/ft]
		0.25	0.46	0.70	1.00
		CCT Multiplier			
		927	930	935	940
		0.97	1.00	1.03	1.06



BEAM ANGLE (0-180) = 28.8  
BEAM ANGLE (90-270) = 28.2

### ILLUMINANCE - 24" RLW-35 P4 3000K

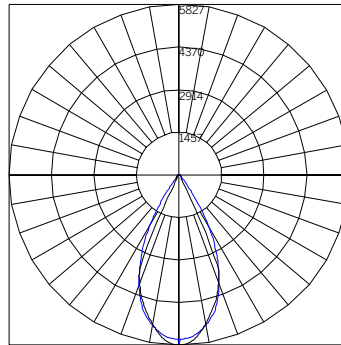
#### WG-60PTL-...-S-24-930-RLW-35-P4-...-W-W<sup>1</sup>

Mounting Height [ft]	Illuminance [fc at nadir]	Beam Width [ft]
3	1086	1.5
6	271	3.1
9	121	4.6
12	68	6.2
15	43	7.7
18	30	9.2
21	22	10.8
24	17	12.3
27	13	13.9
30	11	15.4

### WG-60PTL-...-RLW-50-...-W-W

Delivered Lumens Per Foot

		Power			
		P1 [3 W/ft]	P2 [6 W/ft]	P3 [10 W/ft]	P4 [15 W/ft]
CCT	927	443	820	1237	1773
	930	457	845	1276	1828
	935	471	872	1314	1883
	940	485	897	1353	1939
		Power Multiplier			
		P1 [3 W/ft]	P2 [6 W/ft]	P3 [10 W/ft]	P4 [15 W/ft]
		0.25	0.46	0.70	1.00
		CCT Multiplier			
		927	930	935	940
		0.97	1.00	1.03	1.06



BEAM ANGLE (0-180) = 51.7  
BEAM ANGLE (90-270) = 47.3

### ILLUMINANCE - 24" RLW-50 P4 3000K

#### WG-60PTL-...-S-24-930-RLW-50-P4-...-W-W<sup>1</sup>

Mounting Height [ft]	Illuminance [fc at nadir]	Beam Width [ft]
3	647	2.9
6	162	5.8
9	72	8.7
12	40	11.6
15	26	14.5
18	18	17.4
21	13	20.3
24	10	23.3
27	8	26.2
30	6	29.1

1 Polar Plot and Cone of Light are applicable to part number noted; use Multiplication Factor table to approximate other models or refer to online photometry.

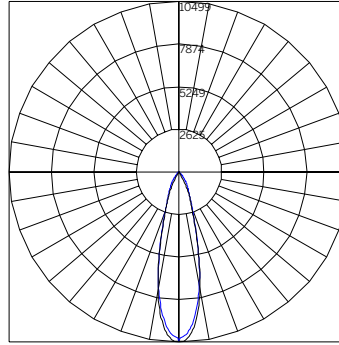
# ProTools 60 Linear Downlight

## Suspended

### WG-60PTL-...-RLB-35-...-W-B

Delivered Lumens Per Foot

		Power			
		P1 [3 W/ft]	P2 [6 W/ft]	P3 [10 W/ft]	P4 [15 W/ft]
CCT	927	371	686	1034	1483
	930	382	707	1067	1529
	935	394	729	1099	1575
	940	406	750	1131	1621
		Power Multiplier			
		P1 [3 W/ft]	P2 [6 W/ft]	P3 [10 W/ft]	P4 [15 W/ft]
		0.25	0.46	0.70	1.00
		CCT Multiplier			
		927	930	935	940
		0.97	1.00	1.03	1.06



BEAM ANGLE (0-180) = 26.9  
BEAM ANGLE (90-270) = 26.9

### ILLUMINANCE - 24" RLB-35 P4 3000K

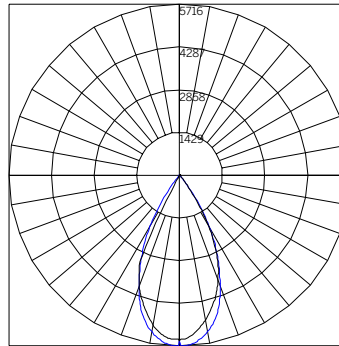
WG-60PTL-...-S-24-930-RLB-35-P4-...-W-B<sup>1</sup>

Mounting Height [ft]	Illuminance [fc at nadir]	Beam Width [ft]
3	1167	1.4
6	292	2.9
9	130	4.3
12	73	5.7
15	47	7.2
18	32	8.6
21	24	10.0
24	18	11.5
27	14	12.9
30	12	14.3

### WG-60PTL-...-RLB-50-...-W-B

Delivered Lumens Per Foot

		Power			
		P1 [3 W/ft]	P2 [6 W/ft]	P3 [10 W/ft]	P4 [15 W/ft]
CCT	927	442	818	1234	1769
	930	456	843	1273	1824
	935	470	870	1311	1879
	940	484	895	1349	1934
		Power Multiplier			
		P1 [3 W/ft]	P2 [6 W/ft]	P3 [10 W/ft]	P4 [15 W/ft]
		0.25	0.46	0.70	1.00
		CCT Multiplier			
		927	930	935	940
		0.97	1.00	1.03	1.06



BEAM ANGLE (0-180) = 51.6  
BEAM ANGLE (90-270) = 51.7

### ILLUMINANCE - 24" RLB-50 P4 3000K

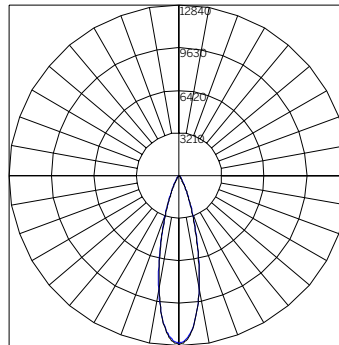
WG-60PTL-...-S-24-930-RLB-50-P4-...-W-B<sup>1</sup>

Mounting Height [ft]	Illuminance [fc at nadir]	Beam Width [ft]
3	635	2.9
6	159	5.8
9	71	8.7
12	40	11.6
15	25	14.5
18	18	17.4
21	13	20.3
24	10	23.2
27	8	26.1
30	6	29.0

### WG-60PTL-...-RNO-30-...-W-W

Delivered Lumens Per Foot

		Power			
		P1 [3 W/ft]	P2 [6 W/ft]	P3 [10 W/ft]	P4 [15 W/ft]
CCT	927	417	772	1164	1669
	930	430	796	1201	1721
	935	444	820	1237	1773
	940	457	844	1273	1825
		Power Multiplier			
		P1 [3 W/ft]	P2 [6 W/ft]	P3 [10 W/ft]	P4 [15 W/ft]
		0.25	0.46	0.70	1.00
		CCT Multiplier			
		927	930	935	940
		0.97	1.00	1.03	1.06



BEAM ANGLE (0-180) = 26.9  
BEAM ANGLE (90-270) = 26.6

### ILLUMINANCE - 24" RNO-30 P4 3000K

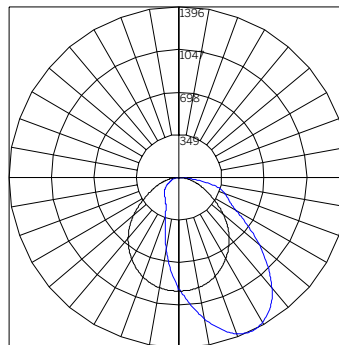
WG-60PTL-...-S-24-930-RNO-30-P4-...-W-W<sup>1</sup>

Mounting Height [ft]	Illuminance [fc at nadir]	Beam Width [ft]
3	1427	1.4
6	357	2.9
9	159	4.3
12	89	5.7
15	57	7.2
18	40	8.6
21	29	10.0
24	22	11.5
27	18	12.9
30	14	14.4

### WG-60PTL-...-LML-WW-...-W-W

Delivered Lumens Per Foot

		Power			
		P1 [3 W/ft]	P2 [6 W/ft]	P3 [10 W/ft]	P4 [15 W/ft]
CCT	927	268	504	774	1141
	930	279	524	806	1188
	935	289	543	836	1244
	940	297	558	858	1278
		Power Multiplier			
		P1 [3 W/ft]	P2 [6 W/ft]	P3 [10 W/ft]	P4 [15 W/ft]
		0.24	0.44	0.68	1.00
		CCT Multiplier			
		927	930	935	940
		0.96	1.00	1.04	1.06



BEAM ANGLE (0-180) = 57.8  
BEAM ANGLE (90-270) = 102

### ILLUMINANCE - 24" LML-WW P4 3000K

WG-60PTLWW-...-S-24-930-LML-WW-P4-...-W-W<sup>1</sup>

Mounting Height [ft]	Illuminance [fc at nadir]	Beam Width [ft]
3	155	3.3
6	39	6.6
9	17	9.9
12	10	13.3
15	6	16.6
18	4	19.9
21	3	23.2
24	2	26.5
27	2	29.8
30	2	33.1

<sup>1</sup> Polar Plot and Cone of Light are applicable to part number noted; use Multiplication Factor table to approximate other models or refer to online photometry.

# ProTools 60 Linear Downlight Suspended

## WG-60PTL-...-TW-RML-80-...

Delivered Lumens Per Foot

		Power	
		P2 [6 W/ft]	P3 [10 W/ft]
CCT	2200	299	442
	4000	307	466

## WG-60PTL-...-TW-ROL-105-...

Delivered Lumens Per Foot

		Power	
		P2 [6 W/ft]	P3 [10 W/ft]
CCT	2200	274	405
	4000	281	426

## WG-60PTL-...-TW-LML-WW-...

Delivered Lumens Per Foot

		Power	
		P2 [6 W/ft]	P3 [10 W/ft]
CCT	2200	254	375
	4000	261	395

## PROTOOLS 60 LINEAR UGR + FIXTURE EFFICIENCY

		UGR <sup>1</sup>			
		P1 [3W/ft]	P2 [6W/ft]	P3 [10W/ft]	P4 [15W/ft]
OPTIC - BEAM	RML-80	20.6	22.7	24.2	25.6
	ROL-105	23.9	26.1	27.6	29.0
	RLW-35	14.6	16.8	18.2	19.6
	RLW-50	13.6	15.8	17.3	18.6
	RLB-35	0.7	2.8	4.3	5.7
	RLB-50	12.9	15.1	16.6	21.7
	RNO-30	9.6	11.7	13.2	14.6
	LML-WW	31.1	33.3	34.8	36.1

1 UGR value noted is the maximum UGR (crosswise) with 930 LEDs at noted Power level.