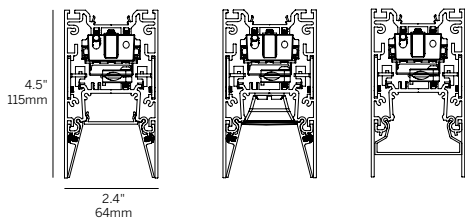
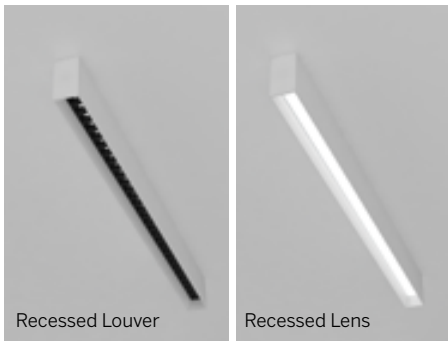
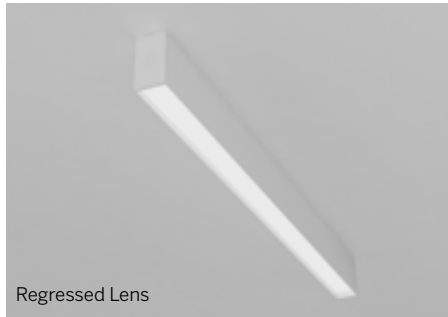


ProTools 60 Linear Downlight

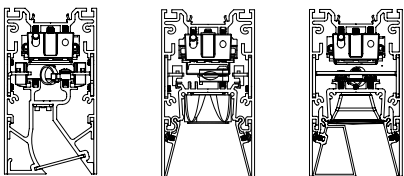
Surface Mount



Recessed Micro-prismatic Lens (RML)

Recessed Louver (RLW, RLB)

Regressed Opal Lens (ROL)



Recessed Lens + Wall Wash (LML + WW)

Recessed Narrow Optic (RNO)

Wall Graze (WG)

Ordering Information

Model	Fixation	Pattern	Length ²	CRI/CCT	Optic ³	Beam	Power ⁴	Driver ⁵	Housing Finish ⁶	Reflector Finish ⁶	Options
WG-60PTL	SM										
WG-60PTL	SM	S P ¹ PZ ¹	24 48 96 XX ³	927 930 935 940 TW	RML ROL RLW RLB REO RNO LML	80 105 35 50 WG 30 WW	P1 P2 P3 P4	E1 L1 POE BT DALI TQ	W B S F	W B S F	EM EW EWP

Luminaire

- 2.4" aperture, integrated solution compatible with all ceiling types
- Standard and tailored run lengths, including corners
- Downlight, Wall Wash and wall graze distribution for ceiling heights to 30'
- Modularity of insert modules for ultimate flexibility
- Extreme brightness control eliminates glare
- Consistent LED technology throughout the Whitegoods product range
- Flexible design allows exact wall-to-wall dimensions
- Flicker-free full range dimming with standard driver (Eldoled)

Fixation

- SM = Surface Mount

Pattern

- S = Straight run
- P = Standard patterns 2, 3 or 4 sided with 90° corners on the same plane¹
- PZ = Non-standard patterns and/or corners other than 90° on multiple planes, consult factory¹

Length²

- 24 = 24"
- 48 = 48"
- 96 = 96"
- XX = Specify inches to the nearest 0.25"³

CRI/CCT

- 90+ CRI
- 927 = 2700K
- 930 = 3000K
- 935 = 3500K
- 940 = 4000K
- TW = Tuneable white 2200-4000K

Optic³

- RML = Recessed micro-prismatic lens
- ROL = Regressed opal lens
- RLW = Recessed louver white (supplied with white reflectors standard)
- RLB = Recessed louver black (supplied with black reflectors only)
- REO = Recessed elliptical optic
- RNO = Recessed narrow optic
- LML = Linear micro-prismatic lens

Beam

- 80 = 80° (RML)
- 105 = 105° (ROL)
- 35 = 35° (RLW, RLB)
- 50 = 50° (RLW, RLB)
- 30 = 30° (RNO)
- WW = Wall Wash (LML)
- WG = Wall Graze (RLW, RLB, REO)

Power Direct⁴

- P1 = 3W/ft (RML/ROL/LML)
- P2 = 6W/ft (RML/ROL/RLW/RLB/LML/RNO/TW)
- P3 = 10W/ft (RML/ROL/RLW/RLB/LML/RNO/TW)
- P4 = 15W/ft (RML/ROL/RLW/RLB/LML/RNO)

Driver⁵

- E1 = EldoLED 0.1% dimming, 0-10V (120-277V)
- L1 = Lutron 1% dimming, Ecosystem (120-277V)
- PoE = Power over Ethernet
- BT = Wireless CAS – Casambi (Must specify BT with E1 or DALI)
- DALI = EldoLED Dali DT8 0.1% (120-277V)
- TQ = T-Series for Lutron Quantum 0.1% (120-277V) (Tunable white ONLY)

Housing Finish⁶

- W = White, 15% gloss, Tiger Drylac 49/11350 (standard)
- B = Black, 15% gloss, Tiger Drylac 44/90053
- S = Silver, 15% gloss, Tiger Drylac 49/90500
- F = Custom finished trim, specify RAL

Reflector Finish⁶

- W = White, 15% gloss, Tiger Drylac 49/11350 (standard with RLW)
- B = Black, 15% gloss, Tiger Drylac 44/90053 (standard with RLB)
- S = Silver, 15% gloss, Tiger Drylac 49/90500
- F = Custom finished trim, specify RAL

Options

- EM = Emergency (remote)
- EW = End wall bracket
- EWP = End wall power bracket

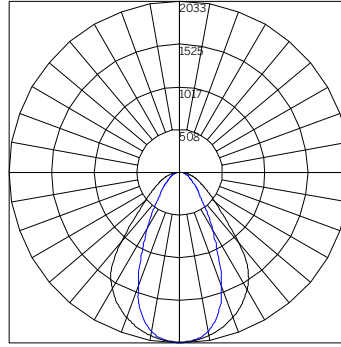
1 See pattern spec sheet.
 2 Individual fixture lengths less than 2' may require remote driver.
 3 Specify Lensed products to nearest 0.25". Specify Louvered and Tuneable White products in 12" increments for continuous light. Louver supplied in 12" increments, balance of the run will have recessed blank covers on ends. REO only available with WG.
 4 Refer to pages 2 - 5 for delivered lumen data for all product configurations. TW only available with RML/ROL/LML.
 5 See power supply page for details.
 6 See Tiger Drylac color chart: inter-lux.com/tiger

ProTools 60 Linear Downlight

Surface Mount

DELIVERED LUMENS PER FOOT WG-60PTL-...-RML-80-...-W-W

		Power			
		P1 [3 W/ft]	P2 [6 W/ft]	P3 [10 W/ft]	P4 [15 W/ft]
CCT	927	316	593	912	1343
	930	329	617	950	1399
	935	340	640	984	1465
	940	349	657	1010	1504
		Power Multiplier			
		P1 [3 W/ft]	P2 [6 W/ft]	P3 [10 W/ft]	P4 [15 W/ft]
		0.24	0.44	0.68	1.00
		CCT Multiplier			
		927	930	935	940
		0.96	1.00	1.04	1.06



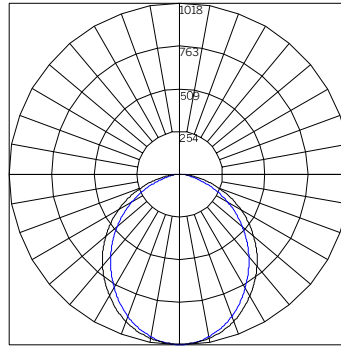
BEAM ANGLE (0-180) = 51.7
BEAM ANGLE (90-270) = 81.8

ILLUMINANCE - 24" RML-80 P4 3000K WG-60PTL-...-S-24-930-RML-80-P4-...-W-W*

Mounting Height [ft]	Illuminance [fc at nadir]	Beam Width [ft]
3	226	2.9
6	56	5.8
9	25	8.7
12	14	11.6
15	9	14.5
18	6	17.4
21	5	20.3
24	4	23.2
27	3	26.1
30	2	29

DELIVERED LUMENS PER FOOT WG-60PTL-...-ROL-105-...-W-W

		Power			
		P1 [3 W/ft]	P2 [6 W/ft]	P3 [10 W/ft]	P4 [15 W/ft]
CCT	927	289	543	834	1229
	930	301	565	869	1280
	935	312	585	900	1340
	940	320	601	925	1377
		Power Multiplier			
		P1 [3 W/ft]	P2 [6 W/ft]	P3 [10 W/ft]	P4 [15 W/ft]
		0.24	0.44	0.68	1.00
		CCT Multiplier			
		927	930	935	940
		0.96	1.00	1.04	1.06



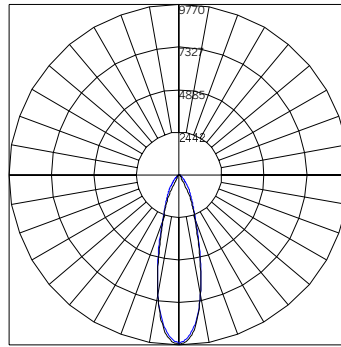
BEAM ANGLE (0-180) = 97.2
BEAM ANGLE (90-270) = 109

ILLUMINANCE - 24" ROL-105 P4 3000K WG-60PTL-...-S-24-930-ROL-105-P4-...-W-W*

Mounting Height [ft]	Illuminance [fc at nadir]	Beam Width [ft]
3	113	6.8
6	28	13.6
9	13	20.4
12	7	27.2
15	5	34
18	3	40.8
21	2	47.6
24	2	54.4
27	1	61.3
30	1	68.1

DELIVERED LUMENS PER FOOT WG-60PTL-...-RLW-35-...-W-W

		Power			
		P1 [3 W/ft]	P2 [6 W/ft]	P3 [10 W/ft]	P4 [15 W/ft]
CCT	927	434	804	1212	1738
	930	448	828	1250	1792
	935	462	854	1288	1846
	940	476	879	1326	1900
		Power Multiplier			
		P1 [3 W/ft]	P2 [6 W/ft]	P3 [10 W/ft]	P4 [15 W/ft]
		0.25	0.46	0.70	1.00
		CCT Multiplier			
		927	930	935	940
		0.97	1.00	1.03	1.06



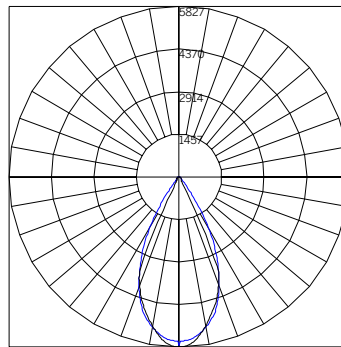
BEAM ANGLE (0-180) = 28.8
BEAM ANGLE (90-270) = 28.2

ILLUMINANCE - 24" RLW-35 P4 3000K WG-60PTL-...-S-24-930-RLW-35-P4-...-W-W*

Mounting Height [ft]	Illuminance [fc at nadir]	Beam Width [ft]
3	1086	1.5
6	271	3.1
9	121	4.6
12	68	6.2
15	43	7.7
18	30	9.2
21	22	10.8
24	17	12.3
27	13	13.9
30	11	15.4

DELIVERED LUMENS PER FOOT WG-60PTL-...-RLW-50-...-W-W

		Power			
		P1 [3 W/ft]	P2 [6 W/ft]	P3 [10 W/ft]	P4 [15 W/ft]
CCT	927	443	820	1237	1773
	930	457	845	1276	1828
	935	471	872	1314	1883
	940	485	897	1353	1939
		Power Multiplier			
		P1 [3 W/ft]	P2 [6 W/ft]	P3 [10 W/ft]	P4 [15 W/ft]
		0.25	0.46	0.70	1.00
		CCT Multiplier			
		927	930	935	940
		0.97	1.00	1.03	1.06



BEAM ANGLE (0-180) = 51.7
BEAM ANGLE (90-270) = 47.3

ILLUMINANCE - 24" RLW-50 P4 3000K WG-60PTL-...-S-24-930-RLW-50-P4-...-W-W*

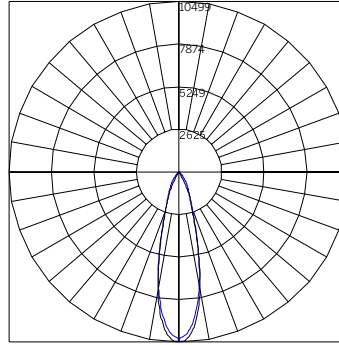
Mounting Height [ft]	Illuminance [fc at nadir]	Beam Width [ft]
3	647	2.9
6	162	5.8
9	72	8.7
12	40	11.6
15	26	14.5
18	18	17.4
21	13	20.3
24	10	23.2
27	8	26.2
30	6	29.1

*Polar Plot and Cone of Light are applicable to part number noted; use Multiplication Factor table to approximate other models or refer to online photometry.

ProTools 60 Linear Downlight Surface Mount

DELIVERED LUMENS PER FOOT WG-60PTL-...-RLB-35-...-W-B

		Power			
		P1 [3 W/ft]	P2 [6 W/ft]	P3 [10 W/ft]	P4 [15 W/ft]
CCT	927	371	686	1034	1483
	930	382	707	1067	1529
	935	394	729	1099	1575
	940	406	750	1131	1621
		Power Multiplier			
		P1 [3 W/ft]	P2 [6 W/ft]	P3 [10 W/ft]	P4 [15 W/ft]
		0.25	0.46	0.70	1.00
		CCT Multiplier			
		927	930	935	940
		0.97	1.00	1.03	1.06



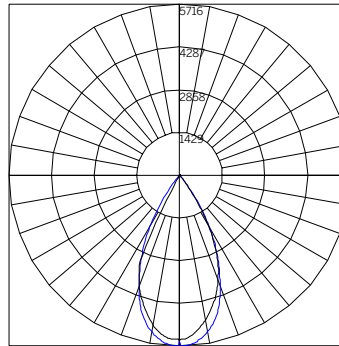
BEAM ANGLE (0-180) = 26.9
BEAM ANGLE (90-270) = 26.9

ILLUMINANCE - 24" RLB-35 P4 3000K WG-60PTL-...-S-24-930-RLB-35-P4-...-W-B*

Mounting Height [ft]	Illuminance [fc at nadir]	Beam Width [ft]
3	1167	1.4
6	292	2.9
9	130	4.3
12	73	5.7
15	47	7.2
18	32	8.6
21	24	10
24	18	11.5
27	14	12.9
30	12	14.3

DELIVERED LUMENS PER FOOT WG-60PTL-...-RLB-50-...-W-B

		Power			
		P1 [3 W/ft]	P2 [6 W/ft]	P3 [10 W/ft]	P4 [15 W/ft]
CCT	927	442	818	1234	1769
	930	456	843	1273	1824
	935	470	870	1311	1879
	940	484	895	1349	1934
		Power Multiplier			
		P1 [3 W/ft]	P2 [6 W/ft]	P3 [10 W/ft]	P4 [15 W/ft]
		0.25	0.46	0.70	1.00
		CCT Multiplier			
		927	930	935	940
		0.97	1.00	1.03	1.06



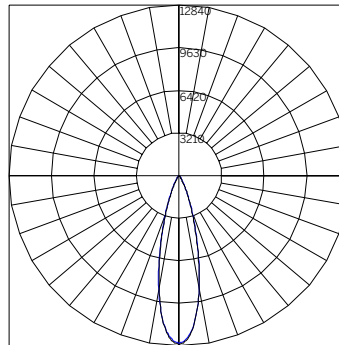
BEAM ANGLE (0-180) = 51.6
BEAM ANGLE (90-270) = 51.7

ILLUMINANCE - 24" RLB-50 P4 3000K WG-60PTL-...-S-24-930-RLB-50-P4-...-W-B*

Mounting Height [ft]	Illuminance [fc at nadir]	Beam Width [ft]
3	635	2.9
6	159	5.8
9	71	8.7
12	40	11.6
15	25	14.5
18	18	17.4
21	13	20.3
24	10	23.2
27	8	26.1
30	6	29

DELIVERED LUMENS PER FOOT WG-60PTL-...-RNO-30-...-W-W

		Power			
		P1 [3 W/ft]	P2 [6 W/ft]	P3 [10 W/ft]	P4 [15 W/ft]
CCT	927	417	772	1164	1669
	930	430	796	1201	1721
	935	444	820	1237	1773
	940	457	844	1273	1825
		Power Multiplier			
		P1 [3 W/ft]	P2 [6 W/ft]	P3 [10 W/ft]	P4 [15 W/ft]
		0.25	0.46	0.70	1.00
		CCT Multiplier			
		927	930	935	940
		0.97	1.00	1.03	1.06



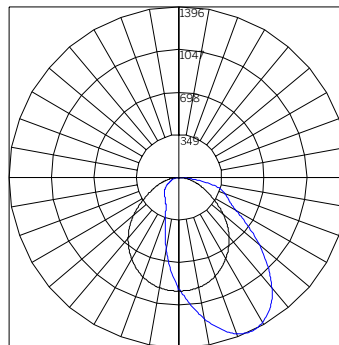
BEAM ANGLE (0-180) = 26.9
BEAM ANGLE (90-270) = 26.6

ILLUMINANCE - 24" RNO-30 P4 3000K WG-60PTL-...-S-24-930-RNO-30-P4-...-W-W*

Mounting Height [ft]	Illuminance [fc at nadir]	Beam Width [ft]
3	1427	1.4
6	357	2.9
9	159	4.3
12	89	5.7
15	57	7.2
18	40	8.6
21	29	10
24	22	11.5
27	18	12.9
30	14	14.4

DELIVERED LUMENS PER FOOT WG-60PTLWW-...-LML-WW-...-W-W

		Power			
		P1 [3 W/ft]	P2 [6 W/ft]	P3 [10 W/ft]	P4 [15 W/ft]
CCT	927	268	504	774	1141
	930	279	524	806	1188
	935	289	543	836	1244
	940	297	558	858	1278
		Power Multiplier			
		P1 [3 W/ft]	P2 [6 W/ft]	P3 [10 W/ft]	P4 [15 W/ft]
		0.24	0.44	0.68	1.00
		CCT Multiplier			
		927	930	935	940
		0.96	1.00	1.04	1.06



BEAM ANGLE (0-180) = 57.8
BEAM ANGLE (90-270) = 102

ILLUMINANCE - 24" LML-WW P4 3000K WG-60PTLWW-...-S-24-930-LML-WW-P4-...-W-W*

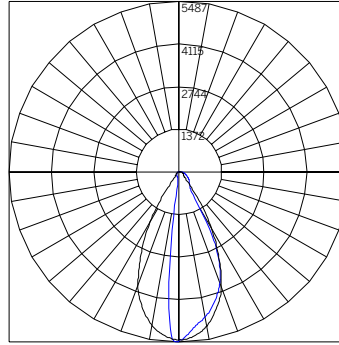
Mounting Height [ft]	Illuminance [fc at nadir]	Beam Width [ft]
3	155	3.3
6	39	6.6
9	17	9.9
12	10	13.3
15	6	16.6
18	4	19.9
21	3	23.3
24	2	26.5
27	2	29.8
30	2	33.1

*Polar Plot and Cone of Light are applicable to part number noted; use Multiplication Factor table to approximate other models or refer to online photometry.

ProTools 60 Linear Downlight Surface Mount

DELIVERED LUMENS PER FOOT WG-60PTLWG-...-RLW-WG-...-W

		Power			
		P1 [3 W/ft]	P2 [6 W/ft]	P3 [10 W/ft]	P4 [15 W/ft]
CCT	927	356	659	994	1424
	930	367	679	1025	1469
	935	379	700	1055	1513
	940	390	721	1086	1557
		Power Multiplier			
		P1 [3 W/ft]	P2 [6 W/ft]	P3 [10 W/ft]	P4 [15 W/ft]
		0.25	0.46	0.70	1.00
		CCT Multiplier			
		927	930	935	940
		0.97	1.00	1.03	1.06



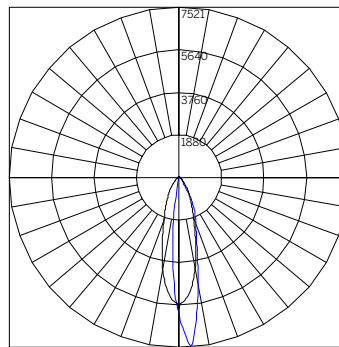
BEAM ANGLE (0-180) = 38.5
BEAM ANGLE (90-270) = 52.5

ILLUMINANCE - 24" RLW-WG P4 3000K WG-60PTLWG-...-S-24-930-RLW-WG-P4-...-W*

Mounting Height [ft]	Illuminance [fc at nadir]	Beam Width [ft]
3	610	2.1
6	152	4.2
9	68	6.3
12	38	8.4
15	24	10.5
18	17	12.6
21	12	14.7
24	10	16.7
27	8	18.8
30	6	20.9

DELIVERED LUMENS PER FOOT WG-60PTLWG-...-RLB-WG-...-W

		Power			
		P1 [3 W/ft]	P2 [6 W/ft]	P3 [10 W/ft]	P4 [15 W/ft]
CCT	927	210	388	586	840
	930	217	400	604	866
	935	223	413	622	892
	940	230	425	641	918
		Power Multiplier			
		P1 [3 W/ft]	P2 [6 W/ft]	P3 [10 W/ft]	P4 [15 W/ft]
		0.25	0.46	0.70	1.00
		CCT Multiplier			
		927	930	935	940
		0.97	1.00	1.03	1.06



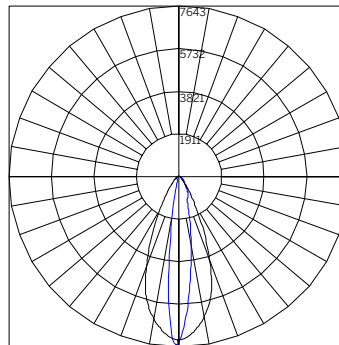
BEAM ANGLE (0-180) = 15
BEAM ANGLE (90-270) = 29

ILLUMINANCE - 24" RLB-WG P4 3000K WG-60PTLWG-...-S-24-930-RLB-WG-P4-...-W*

Mounting Height [ft]	Illuminance [fc at nadir]	Beam Width [ft]
3	836	0.8
6	209	1.6
9	93	2.4
12	52	3.2
15	33	3.9
18	23	4.7
21	17	5.5
24	13	6.3
27	10	7.1
30	8	7.9

DELIVERED LUMENS PER FOOT WG-60PTLWG-...-REO-WG-...-W-W

		Power			
		P1 [3 W/ft]	P2 [6 W/ft]	P3 [10 W/ft]	P4 [15 W/ft]
CCT	927	282	521	786	1127
	930	291	537	811	1162
	935	299	554	835	1197
	940	308	570	859	1232
		Power Multiplier			
		P1 [3 W/ft]	P2 [6 W/ft]	P3 [10 W/ft]	P4 [15 W/ft]
		0.25	0.46	0.70	1.00
		CCT Multiplier			
		927	930	935	940
		0.97	1.00	1.03	1.06



BEAM ANGLE (0-180) = 15
BEAM ANGLE (90-270) = 26.7

ILLUMINANCE - 24" REO-WG P4 3000K WG-60PTLWG-...-S-24-930-REO-WG-P4-...-W*

Mounting Height [ft]	Illuminance [fc at nadir]	Beam Width [ft]
3	849	0.8
6	212	1.6
9	94	2.4
12	53	3.2
15	34	3.9
18	24	4.7
21	17	5.5
24	13	6.3
27	10	7.1
30	8	7.9

*Polar Plot and Cone of Light are applicable to part number noted; use Multiplication Factor table to approximate other models or refer to online photometry.

ProTools 60 Linear Downlight

Surface Mount

DELIVERED LUMENS PER FOOT WG-6OPTL-...-TW-RML-80-...			
		Power	
		P2 [6 W/ft]	P3 [10 W/ft]
CCT	2200	299	442
	4000	307	466

DELIVERED LUMENS PER FOOT WG-6OPTL-...-TW-ROL-105-			
		Power	
		P2 [6 W/ft]	P3 [10 W/ft]
CCT	2200	274	405
	4000	281	426

DELIVERED LUMENS PER FOOT WG-6OPTL-...-TW-LML-WW-...			
		Power	
		P2 [6 W/ft]	P3 [10 W/ft]
CCT	2200	254	375
	4000	261	395

PROTOOLS 60 LINEAR UGR + FIXTURE EFFICIENCY							
		UGR*				FIXTURE EFFICIENCY	LUMENS PER WATT
		P1 [3W/ft]	P2 [6W/ft]	P3 [10W/ft]	P4 [15W/ft]		
OPTIC - BEAM	RML-80	20.6	22.7	24.2	25.6	59%	78
	ROL-105	23.9	26.1	27.6	29.0	54%	72
	RLW-35	14.6	16.8	18.2	19.6	86%	107
	RLW-50	13.6	15.8	17.3	18.6	88%	107
	RLB-35	0.7	2.8	4.3	5.7	73%	90
	RLB-50	12.9	15.1	16.6	21.7	87%	101
	RNO-30	9.6	11.7	13.2	14.6	82%	103
	LML-WW	31.1	33.3	34.8	36.1	50%	74
	RLW-WG	22.1	24.3	24.4	27.1	70%	82
	RLB-WG	9.3	11.5	13.0	14.3	41%	50
REO-WG	22.1	24.3	25.8	27.1	56%	67	

*UGR value noted is the maximum UGR (crosswise) with 930 LEDs at noted Power level.