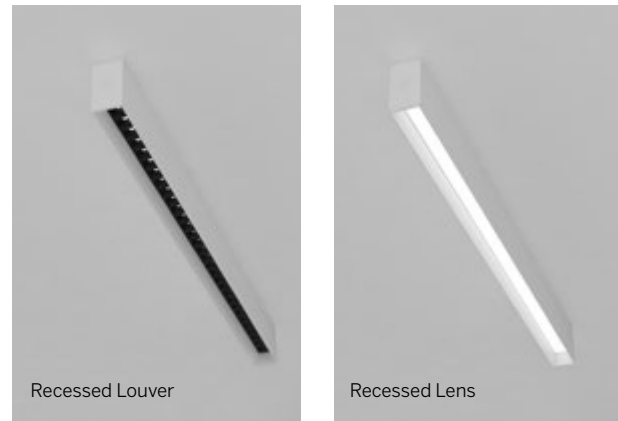
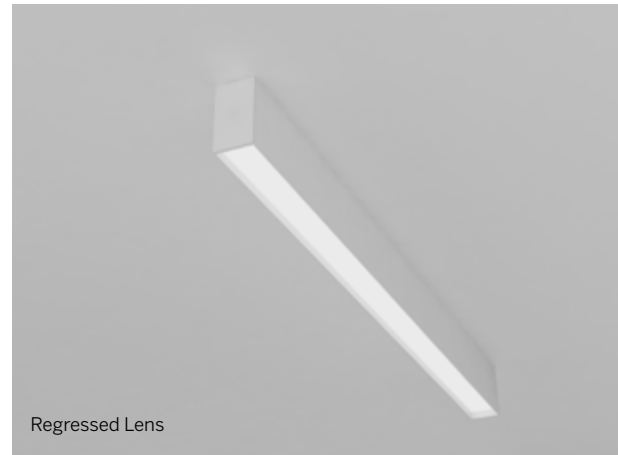


ProTools 60 Linear Downlight Surface Mount

- 2.4" aperture, integrated solution that is compatible with all ceiling types
- Standard and tailored run lengths, including corners
- Downlight, Wall Wash and wall graze distribution for ceiling heights to 30'
- Modularity of insert modules for ultimate design flexibility
- Extreme brightness control eliminates disturbing glare
- Consistent LED technology throughout the Whitegoods product range
- Flexible design allows exact wall-to-wall dimensions
- Flicker-free full range dimming with standard driver (Eldoled)
- Manufactured in the USA



Housing

Precision extruded aluminum for true dimensions and tolerances
Toolless component assembly from below
Perfect fit with inserts, louvers and lenses
Sure-lock mechanical connection system eliminates light leak
Standard and tailored lengths including corner configurations
Recessed snap-in cover for non-illuminated section
Finishes: white, black, silver and custom

Integration

Fixation onto any surface type
End wall mechanical and power connection option

Distribution

35, 50, 80, 105 degree symmetrical downlight
Wall Wash

LED

>90 CRI, 3-Step MacAdam, 2700-4000K static white
3W - 15W per foot, 180 nominal lumens per watt average
RA 91-94 (2700-4000K)
L70 (TM21 Projected 85C) Static White / Tunable White = 72,000 hours
Tuneable white 2200-4000K, 80 nominal lumens per watt average

Optic

RML - recessed micro-prismatic lens | diffusion with maximum efficiency
ROL - regressed opal acrylic lens | evenly illuminated line of light
RLW/RLB - recessed louver white (W) or black (B) | extreme cutoff
REO - Recessed elliptical optic - high efficiency graze
LML - Linear micro-prismatic lens - diffusion and efficiency for wall wash

Reflector

White: high efficiency (standard with RLW)
Black: no brightness (standard with RLB, not offered with LML)
Silver: low brightness
All 15% gloss
Custom finish available

Driver

Compatible with quality constant current drivers

Connectivity

POE
Wireless

Weight

4lbs per foot

Operating Temp

Suitable for operation in maximum ambient temperature of 35C (95F)

Warranty

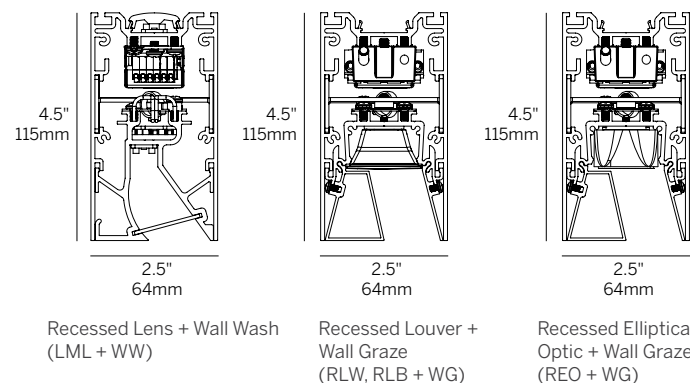
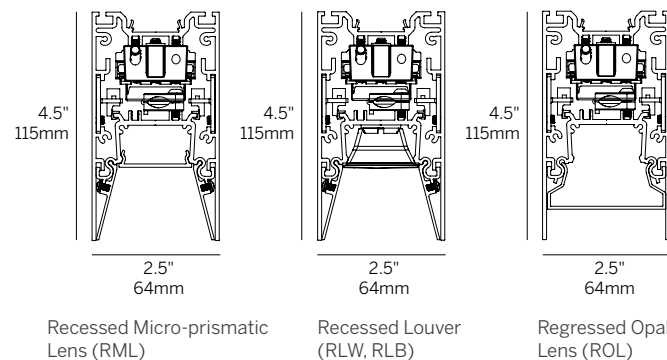
5-year Limited (see complete company warranty information)

Certifications

ETL and ETL-C for dry and damp location, CE, Chicago plenum

Voltages

120-277VAC



ProTools 60 Linear Downlight Surface Mount

Model	Fixation	Pattern	Length ²	CRI/CCT	Optic ³	Beam	Power ⁵	Driver ⁶	Housing Finish ⁷	Reflector Finish ⁷	Options
WG-60PTL	SM	S	24	927	RML	80	P1	E1	W	W	EM
		PI ¹	48	930	ROL	105	P2	L1	B	B	EW
		PO ¹	96	935	RLW	35	P3	POE	S	S	EWP
		PZ ¹	XX ³	940	RLB	50	P4	BT	F	F	
				TW ⁴	REO	WG					
					LML	WW					

Model

- WG-60PTL = ProTools 60 Linear Downlight

Fixation

- SM = Surface Mount

Pattern

- S = Straight run
- PI = Standard patterns 2, 3 or 4 sided with 90° inside corners on the same plane¹
- PO = Standard patterns 2, 3 or 4 sided with 90° outside corners on the same plane¹
- PZ = Non-standard patterns and/or corners other than 90° on multiple planes, consult factory¹

Length²

- 24 = 24"
- 48 = 48"
- 96 = 96"
- XX = Specify inches to the nearest 0.25"³

CRI/CCT (90+ CRI)

- 927 = 2700K
- 930 = 3000K
- 935 = 3500K
- 940 = 4000K
- TW = Tuneable white 2200-4000K⁴

Optic³

- RML = Recessed micro-prismatic lens
- ROL = Regressed opal lens
- RLW = Recessed louver white (supplied with white reflectors standard)
- RLB = Recessed louver black (supplied with black reflectors only)
- REO = Recessed elliptical optic
- LML = Linear micro-prismatic lens

Beam

- 80 = 80° (RML)
- 105 = 105° (ROL)
- 35 = 35° (RLW, RLB)
- 50 = 50° (RLW, RLB)
- WW = Wall Wash (LML)
- WG = Wall Graze (RLW, RLB, REO)

Power⁵

- P1 = 3W/ft
- P2 = 6W/ft
- P3 = 10W/ft
- P4 = 15W/ft

Driver⁶

- E1 = EldoLED 0.1% dimming, 0-10V (120-277V)
- L1 = Lutron 1% dimming, Ecosystem (120-277V)
- PoE = Power over Ethernet
- BT = Wireless CAS – Casambi (Must specify BT with E1 or DALI)
- DALI = EldoLED Dali DT8 0.1% (120-277V)
- TQ = T-Series for Lutron Quantum 0.1% (120-277V) (Tunable white ONLY)

Housing Finish⁷

- W = White, 15% gloss, Tiger Drylac 49/11350 (standard)
- B = Black, 15% gloss, Tiger Drylac 44/90053
- S = Silver, 15% gloss, Tiger Drylac 49/90500
- F = Custom finished trim, specify RAL

Reflector Finish⁷

- W = White, 15% gloss, Tiger Drylac 49/11350 (standard with RLW)
- B = Black, 15% gloss, Tiger Drylac 44/90053 (standard with RLB, not offered with LML)
- S = Silver, 15% gloss, Tiger Drylac 49/90500
- F = Custom finished trim, specify RAL

Options

- EM = Emergency (remote)
- EW = End wall bracket
- EWP = End wall power bracket

Whitegoods reserves the right to change any information without prior notice.

Notes

- 1 See pattern spec sheet.
- 2 Individual fixture lengths less than 2' may require remote driver.
- 3 Specify Lensed products to nearest 0.25". Specify Louvered and Tuneable White products in 12" increments for continuous light. Louver supplied in 12" increments, balance of the run will have recessed blank covers on ends. REO only available with WG.
- 4 TW only available with RML/ROL/LML for P2 and P3.
- 5 Refer to specsheet for delivered lumen data for all product configurations.
- 6 See power supply page for details.
- 7 See Tiger Drylac color chart: inter-lux.com/tiger